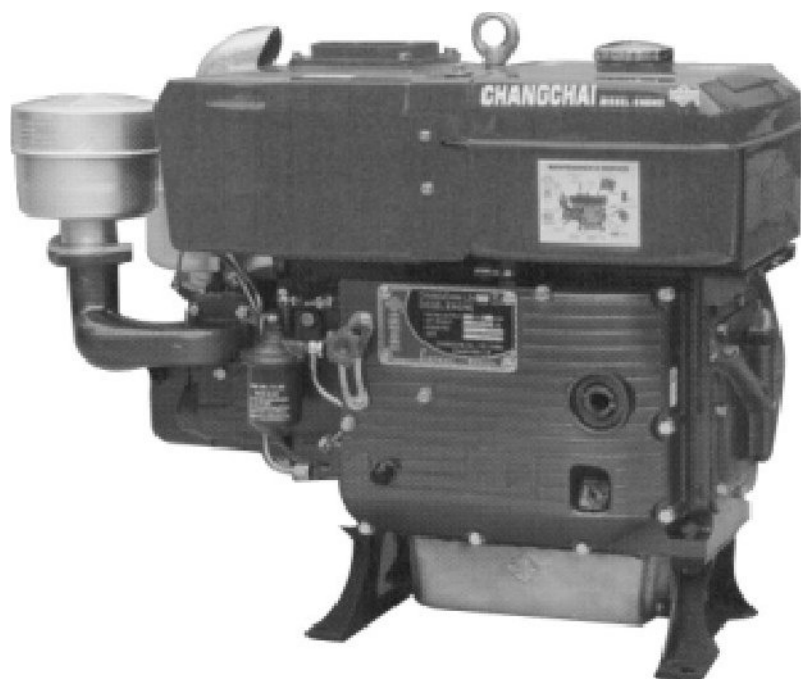


MOTOR ESTACIONÁRIO CHANGCHAI DIESEL

Modelo L24



EXPLODIDO

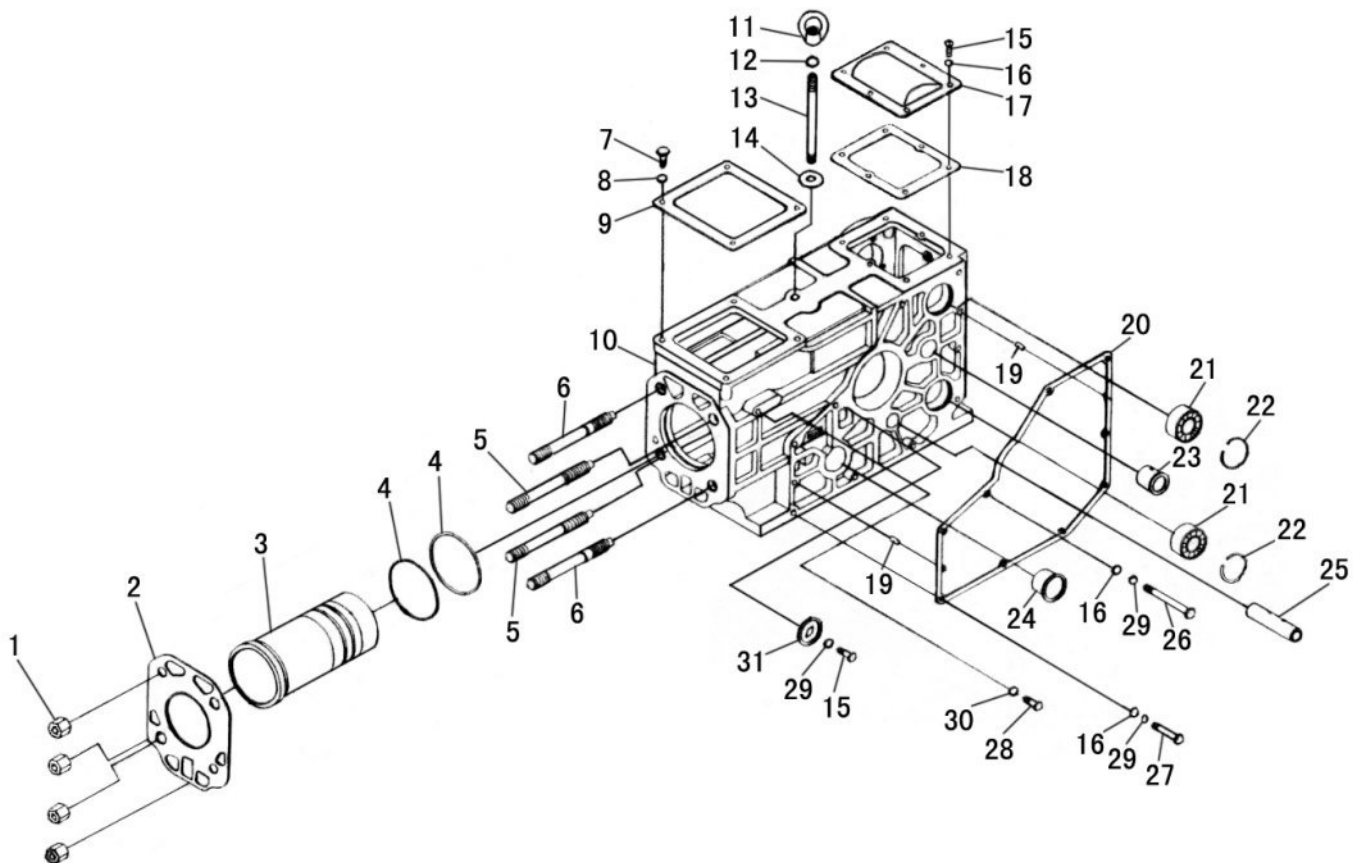


FIG.01 BLOCO DO CILINDRO

Ref.	Cod.Fab.	Cod.CCM	Descricao
01	CH-S1110-01001	3379420	PORCA CABECOTE CILINDRO ZS1115/L24
02	CH-L24-010003	3362210	JUNTA CABECOTE L24
03	CH-L24-010001	3362200	CAMISA CILINDRO L24
04	CH-S1110-01005	3362780	ANEL OR CAMISA ZS1115NM
05	CH-S1110-01012	3362810	PARAFUSO PRIS.CABECOTE ZS1115NM(II)
06	CH-S1110-01002	3362770	PARAFUSO PRIS.CABECOTE ZS1115NM
07	CH-GB/T5783-1030	3375470	PARAFUSO M10X30
08	CH-GB/T97.1-10	3376630	ARRUELA LISA 10
09	CH-195-01007	3372000	JUNTA FUNIL RAD.S1100A2/ZS1115/L24/
11	CH-195-01010	3372030	PORCA OLHAL P/ SUSP.
12	CH-GB/T97.1-12	3376640	ARRUELA LISA 12
13	CH-S195M-24010	3385210	PARAFUSO PRIS. SUP. OLHAL L24/28/32
14	CH-195-01008	3372010	ARRUELA 10
15	CH-GB/T5783-0816	3375320	PARAFUSO M8X16
16	CH-GB/T97.1-08	3376610	ARRUELA LISA 8
18	CH-195-01012	3372050	JUNTA TAMPA SUP. S1100A2/ZS1115L24
19	CH-GB/T119.1-0512	3374520	PINO GUIA 5X12
20	CH-S1110-01011	3362800	JUNTA TAMPA LATERAL ZS1115NM
22	CH-S1110-01010	3379450	TRAVA INTERNA ROLAMENTO
23	CH-S1110-01102	3379480	BUCHA EIXO MANIVELA ZS1115/L24/28/3
24	CH-195-01018	3372100	BUCHA EIXO COMAN.S1100A2/ZS1115/L24
25	CH-195-01017	3372090	EIXO GOVERNADOR S1100A2/ZS1115/L24
26	CH-GB/T5783-0895	3375440	PARAFUSO M8X95
27	CH-GB/T5783-0855	3375430	PARAFUSO M8X55
28	CH-GB/T5783-1025	3375460	PARAFUSO M10X25
29	CH-GB/T93-08	3376490	ARRUELA PRES. 8
30	CH-GB/T93-10	3376500	ARRUELA PRES. 10
31	CH-192-010011	3366160	ARRUELA TRAVA VIRAB. SQD192/L24
	CH-L24-G-SET	3362240	JOGO JUNTAS 24

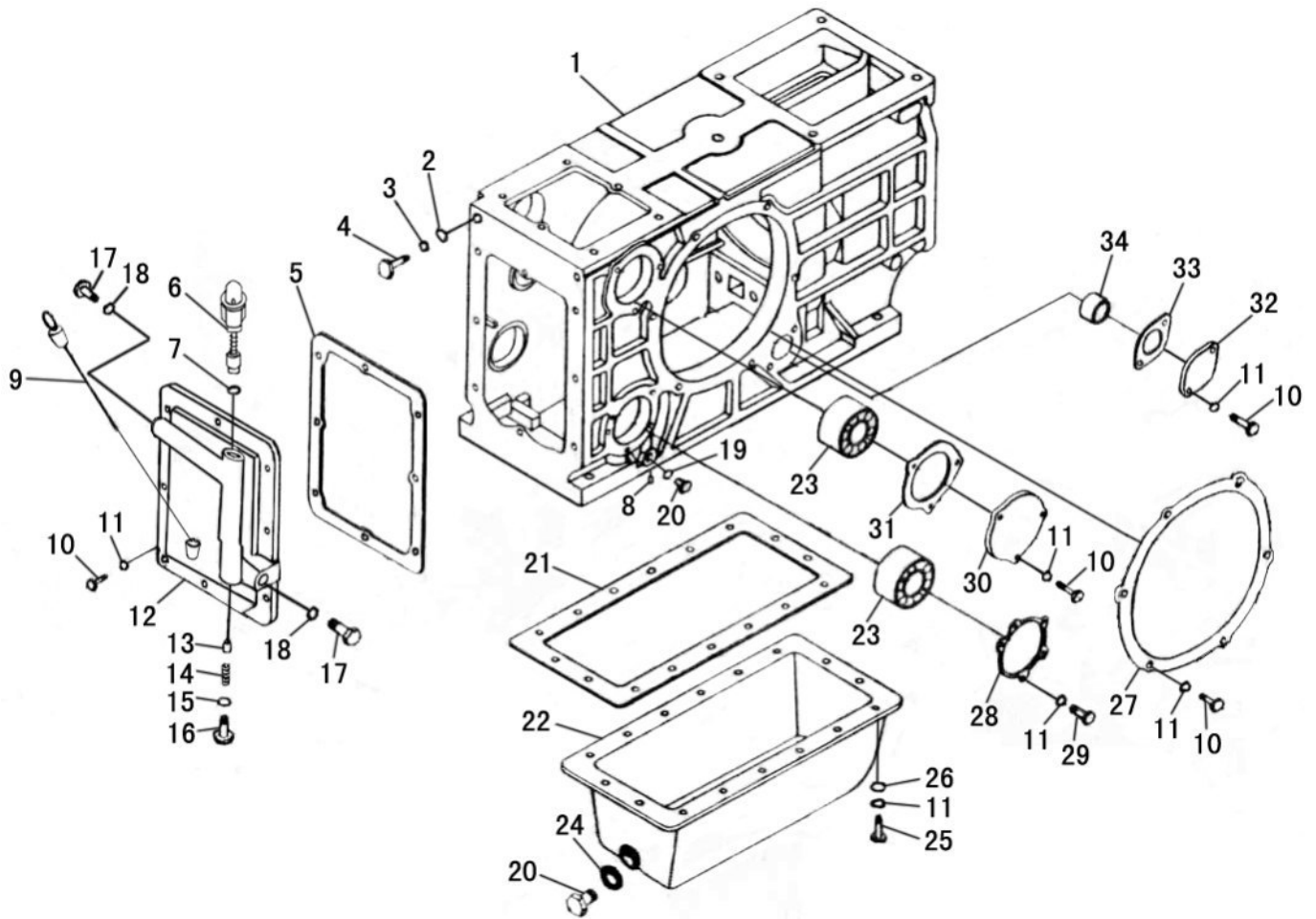


FIG.02 BLOCO DO CILINDRO 02

Ref.	Cod.Fab.	Cod.CCM	Descricao
02	CH-GB/T97.1-10	3376630	ARRUELA LISA 10
03	CH-GB/T93-10	3376500	ARRUELA PRES. 10
04	CH-GB/T5783-1020	3375450	PARAFUSO M10X20
05	CH-S1110A-010015	3379840	JUNTA TAMPA TRAS.L24
06	CH-S1110A-031100	3379880	INDICADOR PRESSAO OLEO L24/28/32
07	CH-195-03114	3372600	VEDACAO INDICADOR OLEO
08	CH-195-01021	3372120	PLUGUE OLEO INTERNO
09	CH-195-01100	3372250	VARETA NIVEL OLEO L24
10	CH-GB/T5783-0825	3375360	PARAFUSO M8X25
11	CH-GB/T93-08	3376490	ARRUELA PRES. 8
12	CH-ZS1110A-013001	3385410	TAMPA TRAS.(B) L24
13	CH-1100AT-01303	3361100	SEDE AJUSTE PRESS.OLEO L24
14	CH-1100AT-01306	3361130	MOLA AJUSTE PRESS.OLEO L24
15	CH-1100AT-01307	3363570	ARRUELA PARAF.AJUST.D12
16	CH-1100AT-01304	3361110	PARAFUSO AJUSTE PRESS.OLEO L24
17	CH-1110AT-01305	3363640	BUJAO (PLUGUE)
19	CH-195-01025	3372160	ARRUELA 8
20	CH-195-01026	3372170	PLUGUE
21	CH-195-01033-1	3372240	JUNTA CARTER L24/28/L32
22	CH-S1110-01200	3379490	CARTER OLEO L24/28/32
24	CH-GB/T1235-16	3374580	ANEL O 16X2.4
25	CH-GB/T5783-0820	3375340	PARAFUSO M8X20
26	CH-GB/T97.1-08	3376610	ARRUELA LISA 8
27	CH-L22-010029	3362170	JUNTA MANCAL VIRAB. L24
28	CH-S1110-01014	3379470	JUNTA BOMBA OLEO ZS1115/L24/28/32
29	CH-GB/T5783-0845	3375420	PARAFUSO M8X45
30	CH-S1110-01008	3379430	TAMPA EIXO BALANC.ZS1115/L24/28/32
31	CH-S1110-01009	3379440	JUNTA TAMPA EIXO BAL.ZS1115/L24/28/
32	CH-195-01030-3	3372200	TAMPA COMANDO L24/28/32
33	CH-195-01031-2	3372220	JUNTA TAMPA COMAN.L24/28/32
34	CH-195-01032	3372230	BUCHA EIXO COM.S1100A2/ZS1115/L24/2

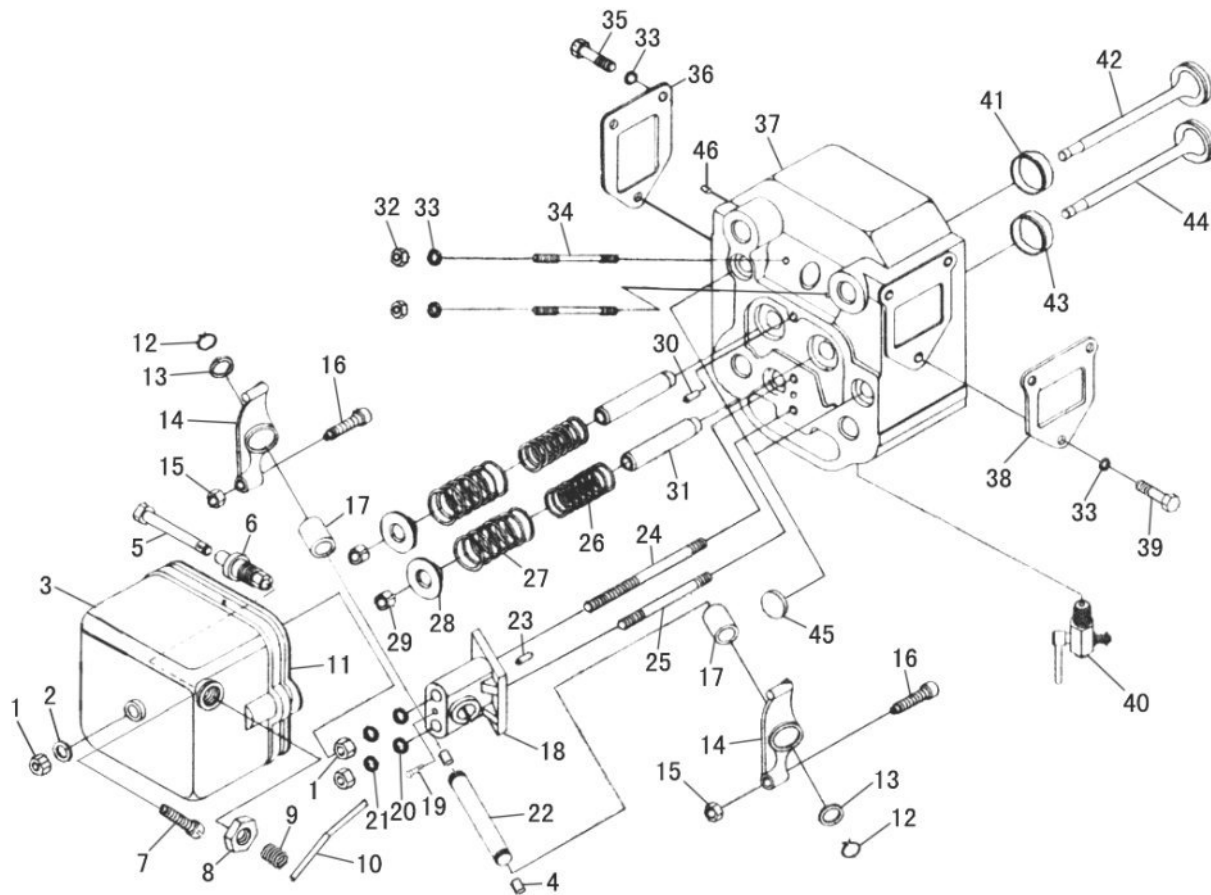


FIG.03 CABEÇOTE DO CILINDRO

Ref.	Cod.Fab.	Cod.CCM	Descricao	Ref.	Cod.Fab.	Cod.CCM	Descricao
01	CH-GB/T6170-10	3375570	PORCA M10	25	CH-195-03025	3372480	PARAFUSO PRIS.BAL.S1100A2/ZS1115/L2
02	CH-GB/T97.1-10	3376630	ARRUELA LISA 10	26	CH-195-03010	3361770	MOLA VALVULA INTERNA S1100A2/N/NM
03	CH-S1110A-031001	3379870	TAMPA CABECOTE L24	27	CH-195-03009-1	3361760	MOLA VALVULA EXTERNA S1100A2/N/NM
04	CH-1120-030202	3363720	PLUGUE EIXO BALANCIM L24	28	CH-195-03008	3372400	ASSENTO MOLA VALV.S1100A2/ZS1115/L2
05	CH-195-03103	3372540	EIXO DESCOMP.S1100A2/ZS1115/L24	29	CH-195-03007	3361750	TRAVA VALVULA S1100A2/N/NM
06	CH-195-03102	3372530	BUCHA EIXO DESCOM.S1100A2/ZS1115/L2	30	CH-GB/T119.1-0512	3374520	PINO GUIA 5X12
07	CH-GB/T822-0640	3375900	PARAFUSO M6X40	31	CH-195-03011	3372410	GUIA VALVULA S1100A2/ZS1115/L24
08	CH-195-03106	3372570	CONTRA PORCA	32	CH-GB/T6170-08	3375560	PORCA M8
09	CH-195-03104	3372550	MOLA ALAV.DESC.S1100A2/ZS1115/L24	33	CH-GB/T93-08	3376490	ARRUELA PRES. 8
10	CH-S1110-03105	3379550	ALAVANCA DESCOMP.ZS1115/L24	34	CH-195-03014	3372430	PARAFUSO PRIS.INJ.S1100A2/ZS1115/L2
11	CH-S1110-03003	3362840	JUNTA TAMPA CABECOTE ZS1115NM	35	CH-GB/T5783-0828	3375370	PARAFUSO M8X28
12	CH-195-03002	3372350	TRAVA EIXO BALANCIM S1100A2/ZS1115/	36	CH-S1110-03004	3362850	JUNTA COLETOR ESCAPE ZS1115NM
13	CH-195-03003	3372360	ARRUEL EIXO BALANCIM S1100A2/ZS1115	37	CH-S1110A-032003	3379890	CABECOTE L24
14	CH-195-03004	3372370	BALANCIM S1100A2/ZS1115/L24	38	CH-S1110-03005	3379520	JUNTA COLETOR ADM.ZS1115/L24
15	CH-GB/T6171-0801	3375590	PORCA M8X1	39	CH-GB/T5783-0825	3375360	PARAFUSO M8X25
16	CH-195-03006-1	3372390	PARAFUSO AJUS.VALV.S1100A2/ZS1115/L	40	CH-195-01300-1	3372300	TORNEIRA DRENO AGUA RC3/8
17	CH-195-03005	3372380	BUCHA EIXO BALANC.S1100A2/ZS1115/L2	41	CH-S1110-03201	3362860	SEDE VALVULA ESCP.ZS1115NM
18	CH-S1110A-030007	3379860	SUPORTE EIXO BALANCIM L24	42	CH-S1110-03001-2	3362820	VALVULA ESCAPE ZS1115NM
19	CH-GB/T75-0614	3375840	PARAFUSO M6X14	43	CH-S1110-03204	3379570	SEDE VALVULA ADMISSAO ZS1115/L24
20	CH-GB/T93-10	3376500	ARRUELA PRES. 10	44	CH-S1110-03002-2	3362830	VALVULA ADMISSAO ZS1115NM
21	CH-GB/T96.1-10	3376550	ARRUELA LISA 10	45	CH-195-03023	3372460	BUJAO (LAGRE)
23	CH-1120-030008	3363700	PINO GUIA SUPORTE EIXO BALANCIM L24	46	CH-195-01021	3372120	PLUGUE OLEO INTERNO
24	CH-S1110-03024	3379530	PARAFUSO PRIS.L.SUPPORT.BALAN.L24				

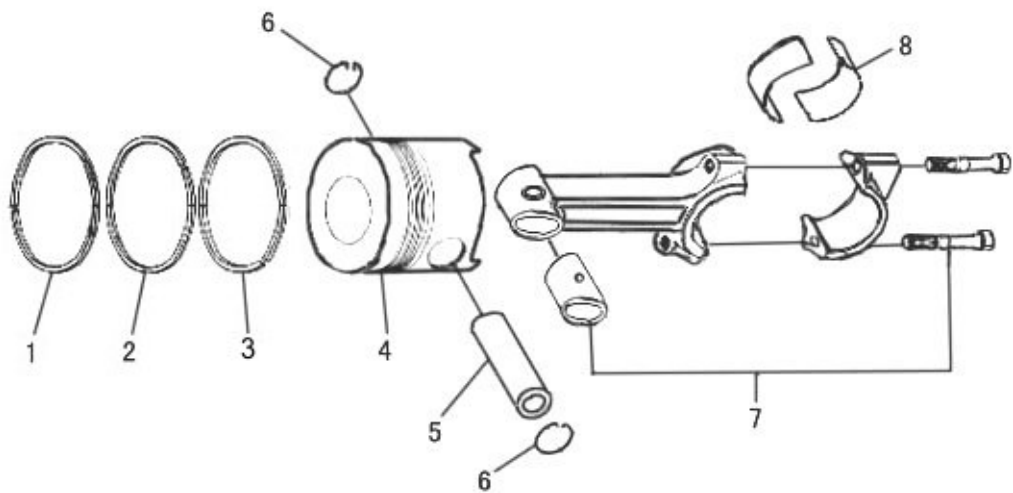


FIG.04 PISTÃO / EIXO

Ref.	Cod.Fab.	Cod.CCM	Descrição
1,2,3	CH-S1115RINGS	3363020	ANEIS SEGM.(JG) ZS1115NM/L24
04	CH-L24-040003	3362220	PISTAO L24
05	CH-L22-040004	3362180	PINO PISTAO L24
07	CH-L22-042000	3376990	BIELA CPL.L24
08	CH-S1110-04203	3362890	CASQUILHO BIELA ZS1115NM

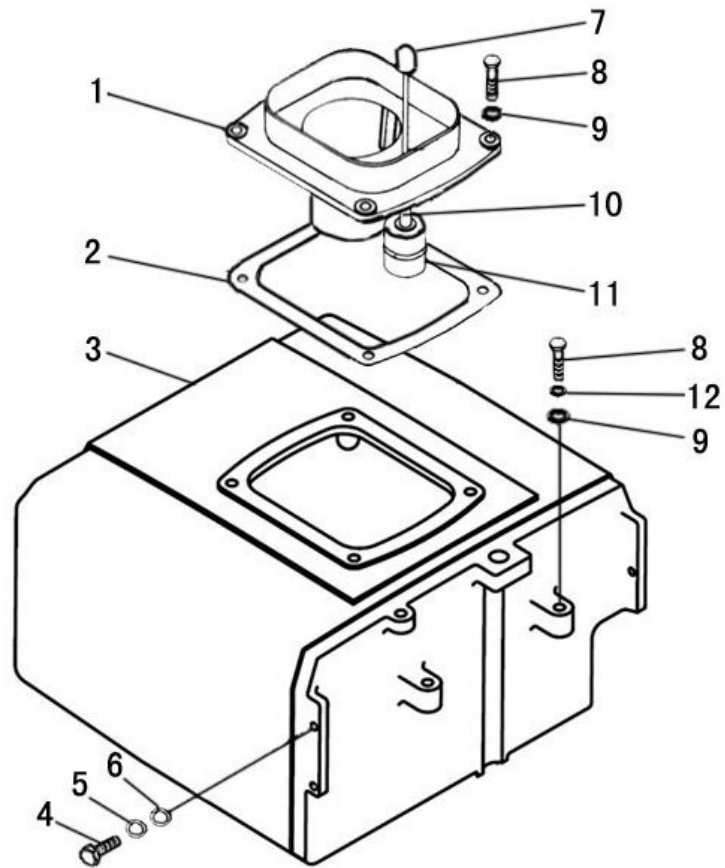


FIG.06 HOPPER L24

Ref.	Cod.Fab.	Cod.CCM	Descrição
01	CH-195-06103-6	3372790	FUNIL ENTRADA AGUA L24/28/32
02	CH-195-06001	3372770	JUNTA FUNIL S1100A2/L24/28/32
03	CH-L22-060002B	3377020	CISTERNA (HOPPER) L24
04	CH-GB/T5783-0615	3375230	PARAFUSO M6X15
05	CH-GB/T93-06	3376480	ARRUELA PRES. 6
06	CH-GB/T97.1-06	3376590	ARRUELA LISA 6
07	CH-195-06202	3372810	INDICADOR AGUA R190/S1100A2/L24/28/
08	CH-GB/T5783-0825	3375360	PARAFUSO M8X25
09	CH-GB/T97.1-08	3376610	ARRUELA LISA 8
10	CH-195-06201-2	3372800	HASTE INDIC.NIVEL AGUA R190/L24/28/
11	CH-195-06203	3372830	BOIA AGUA R190/S1100A2/L24/28/32
12	CH-GB/T93-08	3376490	ARRUELA PRES. 8

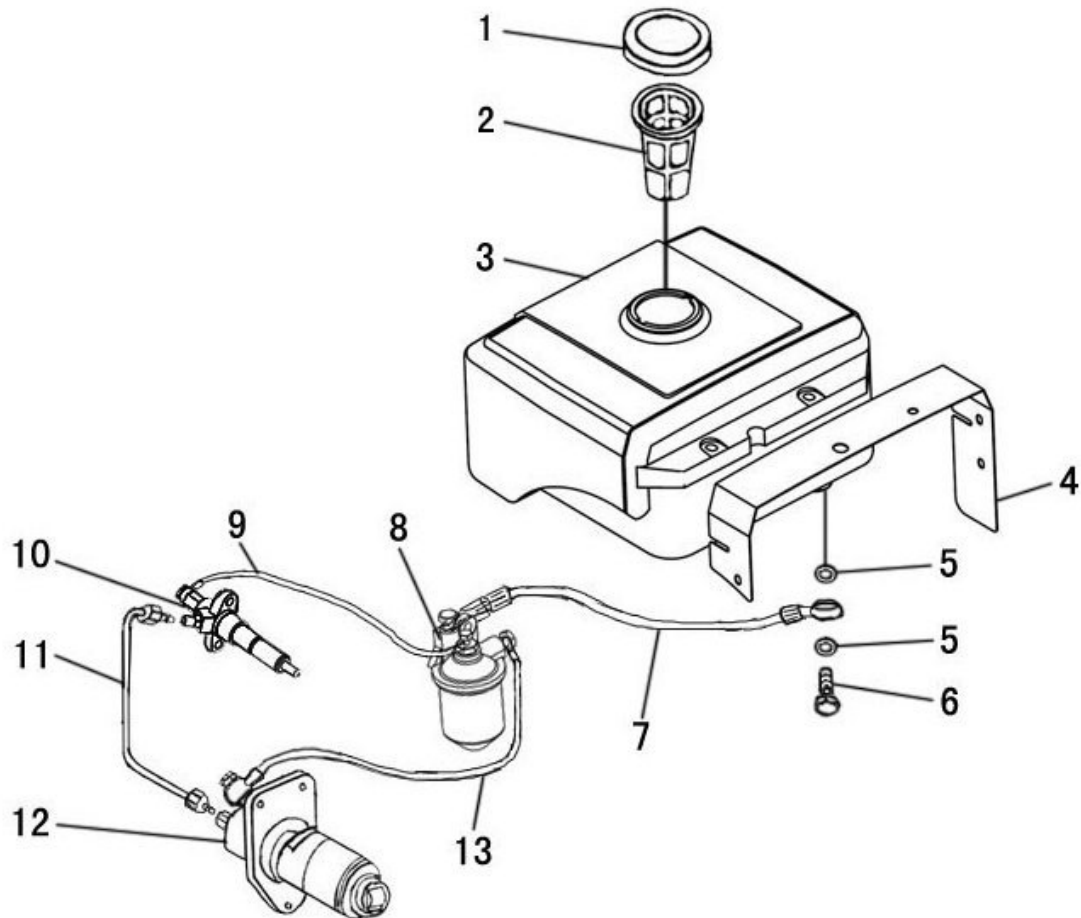


FIG.07 SISTEMA DE COMBUSTÍVEL L24

Ref.	Cod.Fab.	Cod.CCM	Descrição
01	CH-L18-077000	3376980	TAMPA TANQUE COMBUSTIVEL L24/28/32
02	CH-S1110-07600	3379700	FILTRO TANQUE COMB.ZS1115/L24/28/32
03	CH-L22-071000-1	3377040	TANQUE COMBUSTIVEL L24
04	CH-L22-071001	3377060	COBERTURA TANQUE/HOPPER L24/28/32
07	CH-L22-079000-1	3377140	MANGUEIRA TANQUE/FILTRO L24/28/32
08	CH-S1110-16000	3379830	FILTRO CPL COMB.L24/28/32 (C0506C)
09	CH-S1110-07400	3379690	TUBO RETORNO COMB.ZS1115/L24/28/32
10	CH-PF68S125B	3378010	BICO INJETOR CPL.PF68S125B L24
11	CH-L22-072000	3377130	TUBO INJETOR BBA/BICO L24
12	CH-BF1AK90Z01	3373960	BOMBA INJETORA CPL. L24
13	CH-S1110-07300	3379680	TUBO COMB.FIL/BBA.ZS1115/L24

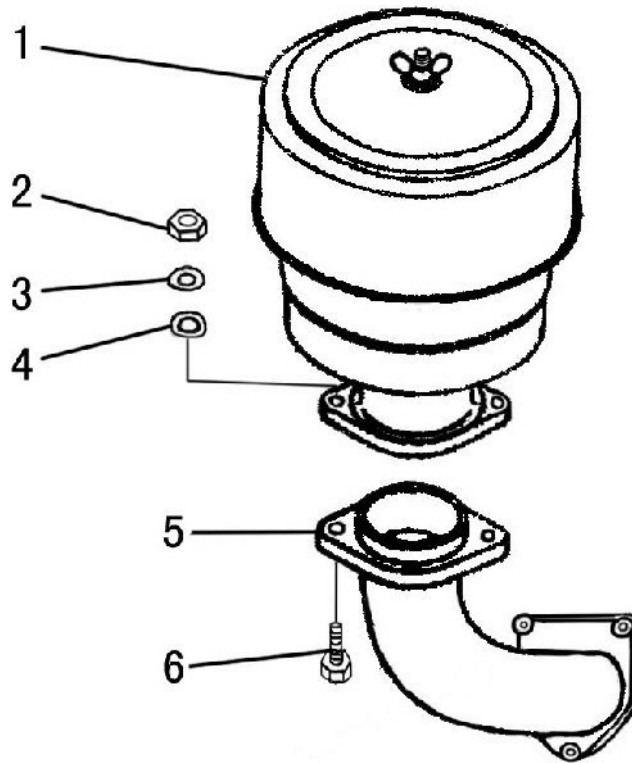


FIG.08 SISTEMA DE ADMISSÃO L24

Ref.	Cod.Fab.	Cod.CCM	Descricao
01	CH-1110-11100A	3363630	FILTRO AR CPL. L24
02	CH-GB/T6170-08	3375560	PORCA M8
03	CH-GB/T93-08	3376490	ARRUELA PRES. 8
04	CH-GB/T97.1-08	3376610	ARRUELA LISA 8
05	CH-S1110-11001	3379820	COLETOR ADMISSAO ZS1115/L24
06	CH-GB/T5783-0835	3375390	PARAFUSO M8X35

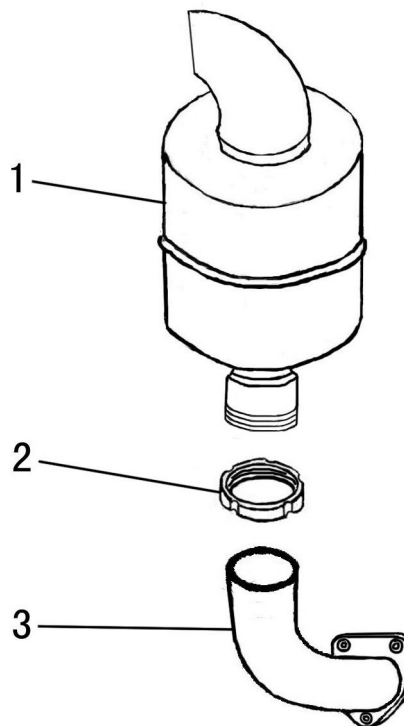


FIG.09 DESCARGA

Ref.	Cod.Fab.	Cod.CCM	Descricao
01	CH-S1110-08100	3379720	SILENCIOSO ZS1115/L24
02	CH-S1110-08001	3379710	PORCA TRAVA SILENC. ZS1115/L24
03	CH-S1110-08002	3362920	COLETOR ESCAPE ZS1115NM

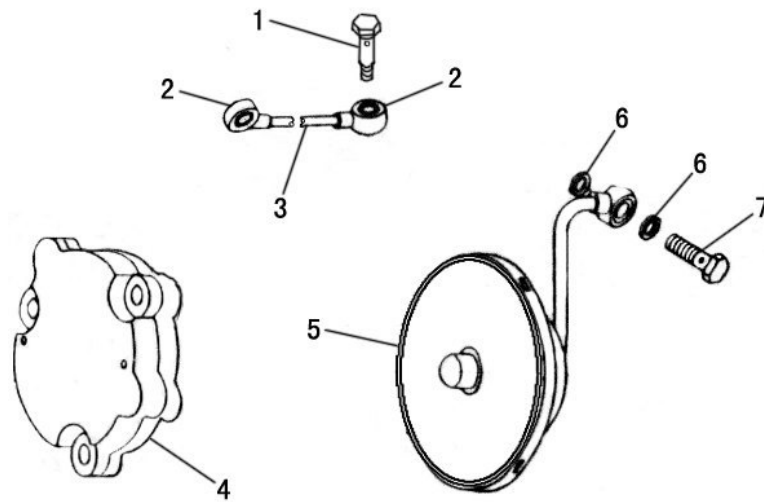


FIG.10 SISTEMA DE LUBRIFICAÇÃO L24

Ref.	Cod.Fab.	Cod.CCM	Descrição
01	CH-S1110A-090001	3362990	ASSENTO CONECTOR TUBO
03	CH-S1110A-090003	3363010	TUBO CONECTOR
04	CH-S1110-09200-1	3379740	BOMBA OLEO L24
05	CH-CS195-09300	3374150	FILTRO PESCADOR OLEO L24/28/32
06	CH-195-01025	3372160	ARRUELA 8
07	CH-195-09003	3372990	PARAFUSO OCO CONECTOR

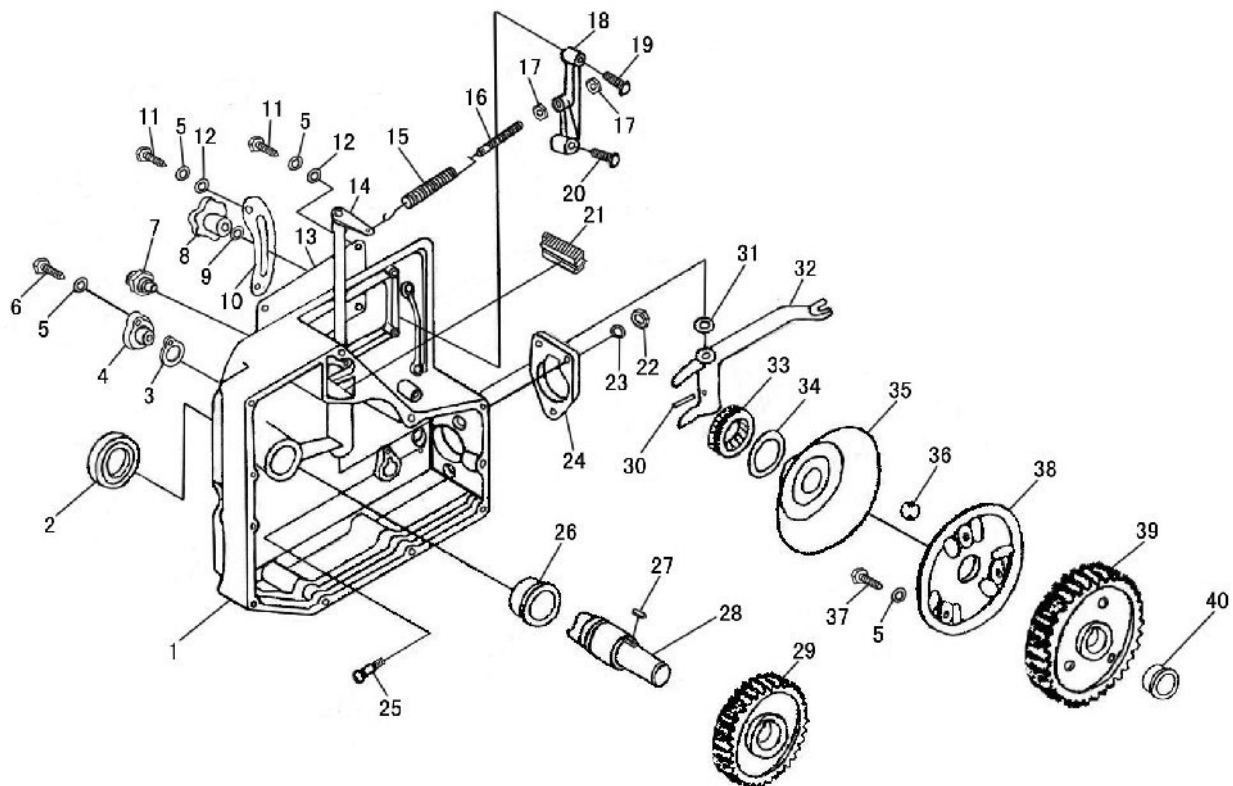


FIG.11 CAIXA DE MARCHAS

Ref.	Cod.Fab.	Cod.CCM	Descricao
01	CH-S1110A-100001	3379910	TAMPA LATERAL GOVER/ENGR.L24
02	CH-GB/T9788-35	3376660	RETENTOR OLEO FB35X58X12D
03	CH-195-10404	3373370	FLANGE BBA.PRIMING
04	CH-195-10400-2	3373360	PRIMER COMBUSTIVEL
05	CH-GB/T93-06	3376480	ARRUELA PRES. 6
06	CH-GB/T67-0625	3375800	PARAFUSO M6X25
07	CH-195-10600	3373420	REGULADOR PRES.INJ. ZS1115/L24
08	CH-195-10200-1	3373330	MANOPLA BORBOLETA ACELERADOR
09	CH-GB/T97.1-08	3376610	ARRUELA LISA 8
10	CH-1100A-10005	3363330	PAINEL INDIC.ACEL.S1100A2 ZS1115 L2
11	CH-GB/T67-0612	3375770	PARAFUSO M6X12
12	CH-GB/T97.1-06	3376590	ARRUELA LISA 6
13	CH-L22-100002	3377150	PLACA IDENTIFICACAO L24
14	CH-195-10140	3373320	BRACO GOVERNADOR L24/28/32
15	CH-1100A-10103	3363340	MOLA GOVERNADOR ZS1115 L24/28/32
16	CH-195-10104	3373210	PARAFUSO AJUSTE GOVER.
17	CH-GB/T6170-06	3375550	PORCA M6
18	CH-195-10105	3373220	ALAVANCA CONTR.ACEL.
19	CH-GB/T5783-0840	3375400	PARAFUSO M8X40
20	CH-195-10106	3373230	PARAFUSO CONTR.ACEL.
21	CH-1105-10500	3363620	ELEMENTO BRIDA (RESPIRO) L24
22	CH-GB/T6170-08	3375560	PORCA M8
23	CH-GB/T93-08	3376490	ARRUELA PRES. 8
24	CH-195-10007	3373140	CALCO BBA.INJ.R190/S1100A2/ZS1115/L
25	CH-195-10008	3373150	PARAFUSO PRIS. BBA.INJ.S1100A2/ZS11
26	CH-195-10010	3373160	BUCHA EIXO MANV.S1100A2/ZS1115/L24/
27	CH-GB/T1096-0816	3374360	CHAVETA 8X16
28	CH-195-10303-1	3373350	EIXO MANIVELA PARTIDA
29	CH-195-10302	3373340	ENGRENAGEM MANIVELA
31	CH-195-10113	3373290	BUCHA AJUSTE
32	CH-1105-10110	3363600	FORQUILHA GOVERNADOR L24
34	CH-195-10031	3373170	CALSO ROL.ENC.GOV.S1100A2/L24/28/32
35	CH-195-10120-1	3373310	PRATO ATUAC.GOVERNADOR L24/28/32
37	CH-GB/T67-0618	3375790	PARAFUSO M6X18
38	CH-195-10109	3373260	DISCO GUIA ESF.GOVER.
39	CH-195-10108	3373250	ENGRENAGEM GOVERNADOR
40	CH-195-10107	3373240	BUCHA ENGR.GOVERN.

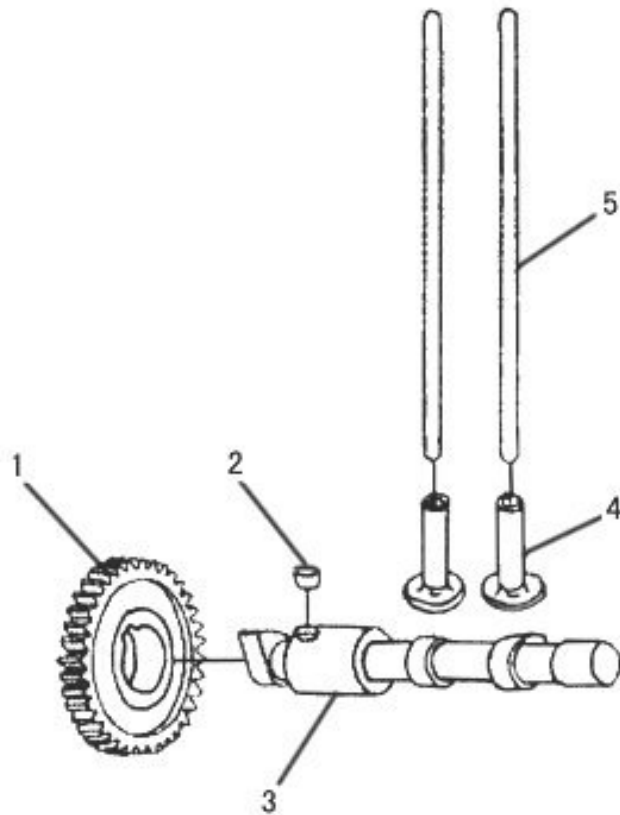


FIG.12 COMANDO DE VÁLVULA

Ref.	Cod.Fab.	Cod.CCM	Descricao
01	CH-195-02001	3372310	ENGRENAGEM COM.S1100A2/ZS1115/L24
02	CH-GB/T1096-1016	3374400	CHAVETA 10X16
03	CH-S1110-02001-1	3379500	COMANDO VALVULA ZS1115/L24
04	CH-195-02004	3372330	TUCHO VALVULA S1100A2/ZS1115/L24
05	CH-S1110-02002	3379510	HASTE VALVULA ZS1115/L24

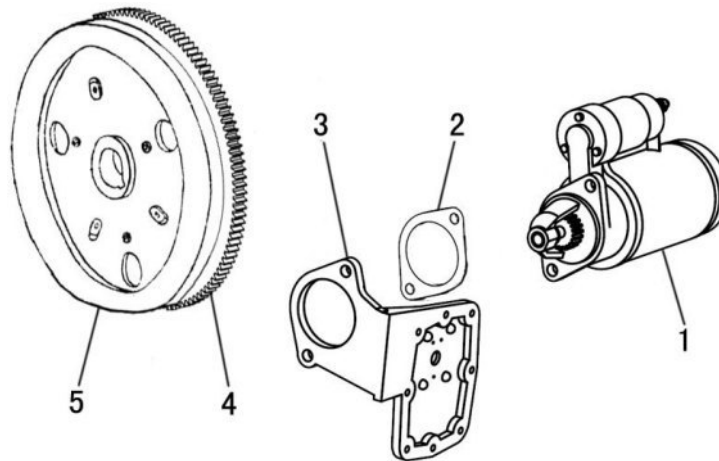


FIG.13 IGNIÇÃO L24

Ref.	Cod.Fab.	Cod.CCM	Descricao
01	CH-ZS1115M-19000A	3385420	MOTOR ARRANQUE L24 QD1310G
02	CH-1110M-01040	3363650	JUNTA CALSO MOT.PART. ZS1115NM/L24M
03	CH-L22M-013000	3377170	TAMPA TRASEIRA P/MOTOR ARRANQ. L24
04	CH-1100ANM-05019	3363210	CREMALHEIRA VOL.P/E S1100A2NM/24/28
05	CH-L22M-050003	3377180	VOLANTE P/CREMALHEIRA PE.L24

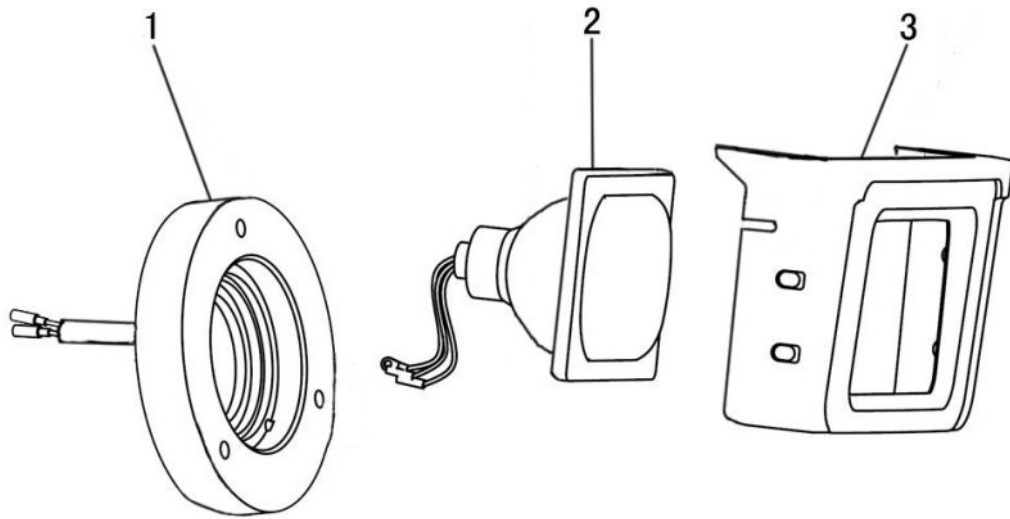


FIG.14 ALTERNADOR E FAROIS

Ref.	Cod.Fab.	Cod.CCM	Descricao
01	CH-195-153000H.12	3373490	ALTERNADOR SFF-150 12V-150W L24
03	CH-L22-150001	3377160	SUPORTE FAROL L24/28/32 (OPCIONAL)

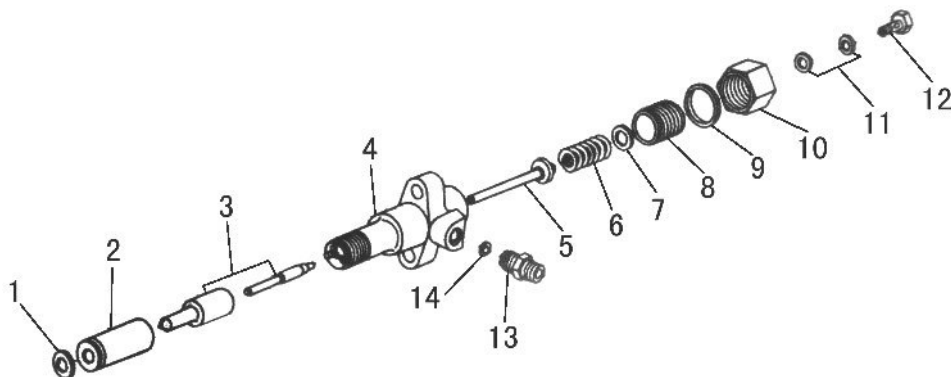


FIG.15 INJETOR DE COMBUSTÍVEL

Ref.	Cod.Fab.	Cod.CCM	Descricao
01	CH-J19-7	3376800	VEDACAO BICO INJ. ZS1115/L24/28/32
02	CH-J19-5	3376790	CAPA BICO INJ. ZS1115/L24/28/32
03	CH-Z15B-154S432	3385380	ELEMENTO BICO ZS1115/L24(ZCK154S432
04	CH-J19.2	3376690	CORPO BICO INJ. ZS1115/L24/28/32
05	CH-J19.1	3376680	EMBOLO ACION.BICO INJ.ZS1115/L24/28
06	CH-J19-4	3376780	MOLA BICO INJ. ZS1115/L24/28/32
07	CH-J19-10	3376710	SEDE RET.BICO INJ. ZS1115/L24/28/32
08	CH-J19-3	3376770	REGULADOR PRES.INJ.ZS1115/L24/28/32
09	CH-J19-15	3376750	VEDACAO RET.INJ. ZS1115/L24/28/32
10	CH-J19-2	3376760	PORCA FIX.BICO INJ.ZS1115/L24/28/32
11	CH-J19-13	3376740	VEDACAO RET.ZS1115/L24/28/32
12	CH-J19-1	3376700	PARAFUSO CONEC.RET.ZS1115/L24/28/32
13	CH-J19-11	3376720	CONECTOR TUBO ADMIS.BICO
14	CH-J19-12	3376730	VEDACAO CONECTOR ZS1115/L24/28/32

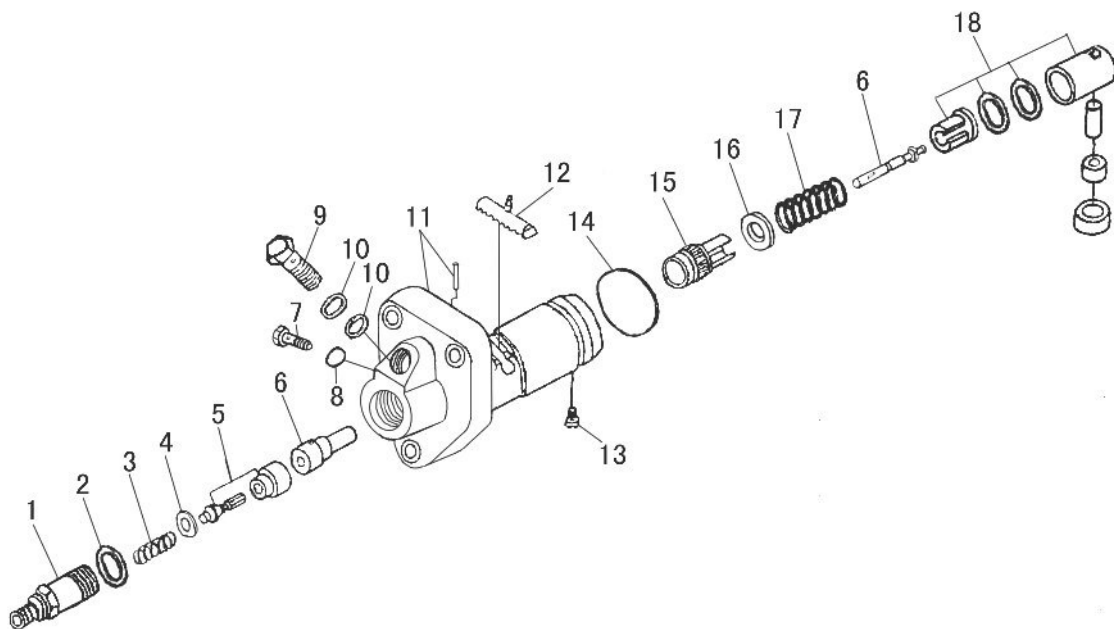


FIG.16 BOMBA DE INJEÇÃO DE COMBUSTÍVEL L24

Ref.	Cod.Fab.	Cod.CCM	Descricao
01	CH-BA19-0001	3373880	CONEXAO SAIDA BBA.INJ. ZS1115
02	CH-BA62-0005	3373930	ANEL O BBA.INJ.ZS1115
03	CH-BA62-0003	3373910	MOLA SAIDA BBA.INJ.ZS1115
04	CH-BA62-0004	3373920	ARRUELA ENCST. MOLA BBA.INJ.ZS1115
05	CH-FA5-00-9	3374240	VALVULA SAIDA BBA.INJ. L24
06	CH-ZSA-00	3385430	ELEMENTO BBA.INJ.ZS1115/L24/28/32
07	CH-BA11-0002	3373760	PARAFUSO OCO BBA.INJ.ZS1115
08	CH-BA11-0003	3373770	VEDACAO 10X6.5X1 ZS1115
09	CH-BA11-0004	3373780	PARAFUSO OCO BBA.INJ.ZS1115
10	CH-BA11-0005	3373790	VEDACAO 24X13X1 ZS1115
11	CH-BA19-01	3373890	CORPO BOMBA INJ.ZS1115
12	CH-BA11-02	3373840	CORREDICA ACELERADOR ZS1115
13	CH-BA11-0010	3373800	PINO GUIA BBA.INJ. ZS1115
14	CH-BA11-0011	3373810	TRAVA BBA.INJ. ZS1115
15	CH-BA17-0001	3373860	CORPO ACELERADOR BBA.INJ. ZS1115
16	CH-BA11-0013	3373830	ASSENTO MOLA SUPERIOR ZS1115
17	CH-BA11-0012	3373820	MOLA ACELERADOR BBA.INJ. ZS1115
18	CH-BA19-02	3373900	TUCHO ACION.BBA.INJ.ZS1115

FIG.16A ADIÇÕES

Ref.	Cod.Fab.	Cod.CCM	Descricao
01	CH-L24-010001LNR	3362200	CAMISA CILINDRO L24
02	CH-L24-010003	3362210	JUNTA TAMPA TRAZEIRA L24
03	CH-L24-011001	3377190	BLOCO MOTOR L24
04	CH-S1115-04001	3379940	ANEL SEGM. NR1 ZS1115/L24
05	CH-S1115-04002	3379950	ANEL SEGM. NR2/NR3 ZS1115/L24
06	CH-L24-040003	3362220	PISTAO L24
07	CH-S1115-04100	3379960	ANEL SEGM.OLEO ZS1115/24
08	CH-S1115-05001	3379990	POLIA CORREIA 150X4B
09	CH-S1115-05003	3385000	VOLANTE S/PARTIDA ZS1115
10	CH-L24-050006	3377200	EIXO C/BALANC. SUPERIOR L24
11	CH-L24-050010	3377210	EIXO C/BALANC. INFERIOR L24