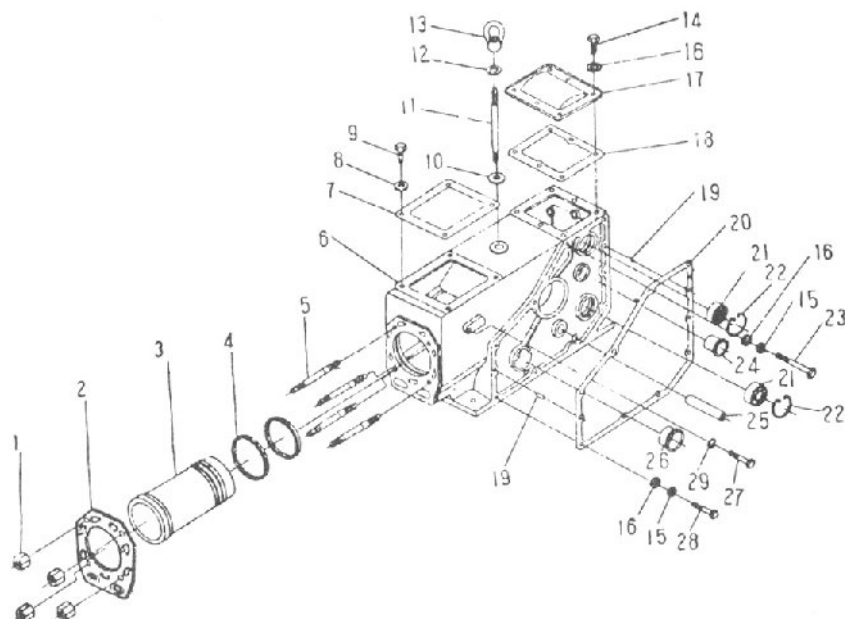


# MOTOR ESTACIONÁRIO CHANGCHAI DIESEL

Modelo S1100A2 com sistema HOOPER de refrigeração

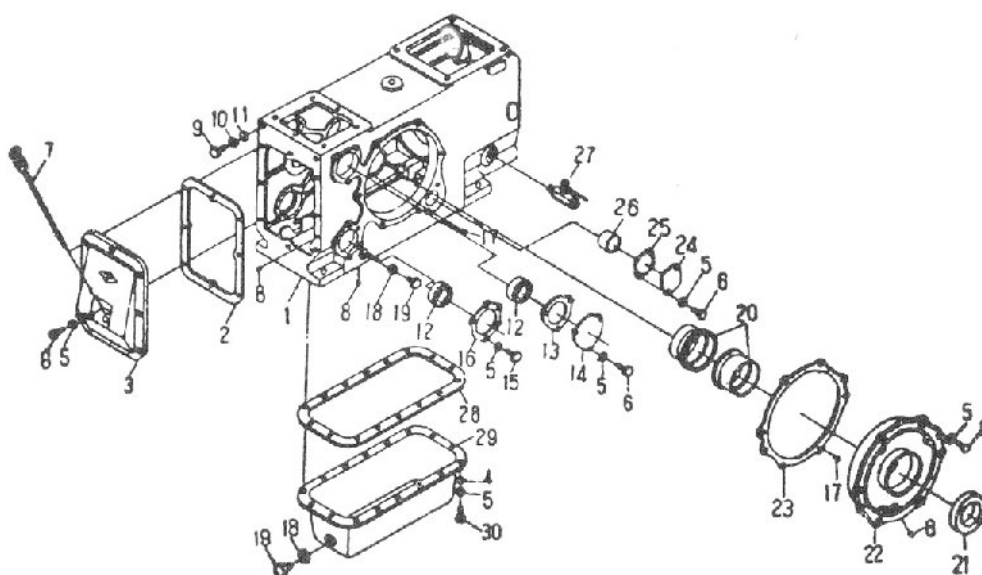


# EXPLODIDO



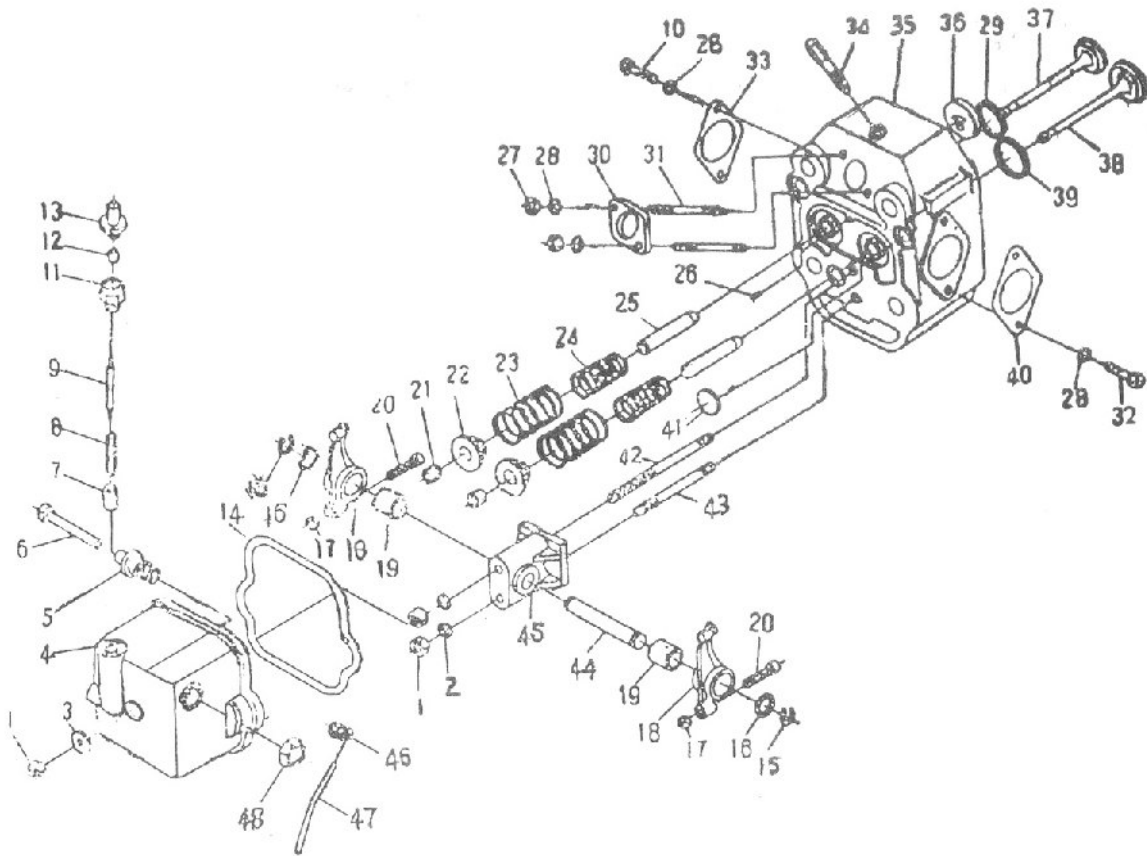
**FIG.01 BLOCO DO MOTOR**

| Ref. | Cod.Fab.          | Cod.CCM | Descricao                           |
|------|-------------------|---------|-------------------------------------|
| 01   | CH-195-01001      | 3367970 | PORCA CABECOTE CILINDRO S1100A2     |
| 02   | CH-1100A2-01002   | 3361060 | JUNTA CABECOTE S1100A2/N/NM         |
| 03   | CH-1100A2-01003   | 3361070 | CAMISA CILINDRO S1100A2/N/NM        |
| 04   | CH-1100A2-01004   | 3361080 | ANEL OR CAMISA S1100A2/N/NM         |
| 05   | CH-195-01005-1    | 3367990 | PARAFUSO PRIS. CABECOTE S1100A2     |
| 06   | CH-1100A2-01006   | 3363360 | BLOCO CILINDRO S1100A2              |
| 07   | CH-195-01007      | 3372000 | JUNTA FUNIL RAD.S1100A2/ZS1115/L24/ |
| 08   | CH-GB/T93-10140   | 3376510 | ARRUELA PRES. 10-140HV              |
| 09   | CH-GB/T5783-1025  | 3375460 | PARAFUSO M10X25                     |
| 10   | CH-195-01008      | 3372010 | ARRUELA 10                          |
| 11   | CH-1100A-01009    | 3363250 | PARAFUSO PRIS.SUST.S1100A2 ZS1115   |
| 12   | CH-GB/T97.1-12    | 3376640 | ARRUELA LISA 12                     |
| 13   | CH-195-01010      | 3372030 | PORCA OLHAL P/ SUSP.                |
| 14   | CH-GB/T5783-0818  | 3375330 | PARAFUSO M8X18                      |
| 15   | CH-GB/T93-08      | 3376490 | ARRUELA PRES. 8                     |
| 16   | CH-GB/T97.1-08140 | 3376620 | ARRUELA LISA 8-140HV                |
| 17   | CH-195-01011      | 3372040 | TAMPA CARTER SUPERIOR S1100A2       |
| 18   | CH-195-01012      | 3372050 | JUNTA TAMPA SUP. S1100A2/ZS1115L24  |
| 19   | CH-GB/T119-0512   | 3374560 | PINO GUIA A5X12                     |
| 20   | CH-195-01014      | 3361690 | JUNTA TAMPA LATERAL S1100A2/N/NM    |
| 21   | CH-GB/T276-6205   | 3374620 | ROLAMENTO ESFERA 6205               |
| 22   | CH-195-01015-1    | 3372070 | TRAVA INTERNA ROL.6205              |
| 23   | CH-GB/T5782-0895  | 3375160 | PARAFUSO M8X95                      |
| 24   | CH-195-01016      | 3372080 | BUCHA EIXO MANIVELA S1100A2         |
| 25   | CH-195-01017      | 3372090 | EIXO GOVERNADOR S1100A2/ZS1115/L24  |
| 26   | CH-195-01018      | 3372100 | BUCHA EIXO COMAN.S1100A2/ZS1115/L24 |
| 27   | CH-GB/T5783-1025  | 3375460 | PARAFUSO M10X25                     |
| 28   | CH-GB/T5782-0855  | 3375130 | PARAFUSO M8X55                      |
| 29   | CH-GB/T93-10140   | 3376510 | ARRUELA PRES. 10-140HV              |



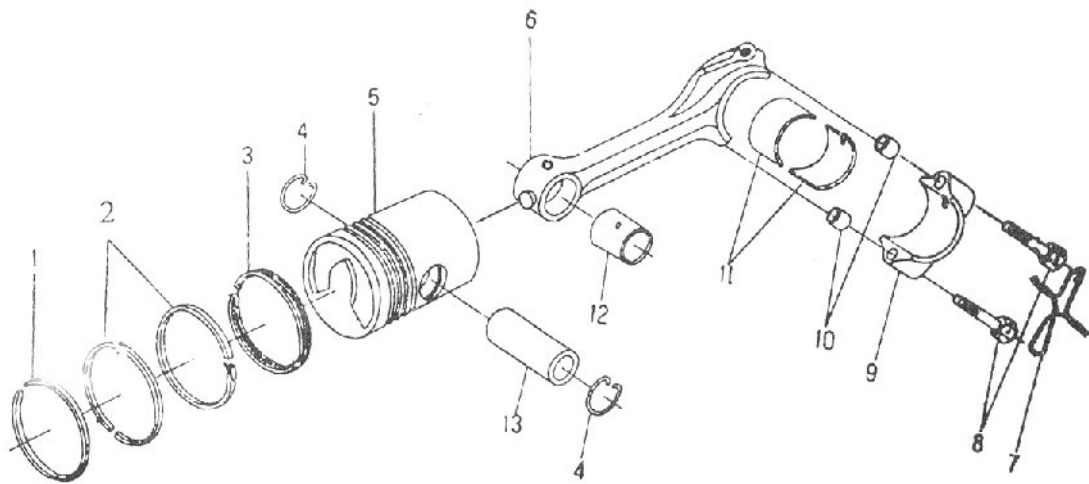
**FIG.02 BLOCO DO MOTOR A**

| Ref. | Cod.Fab.          | Cod.CCM | Descricao                           |
|------|-------------------|---------|-------------------------------------|
| 01   | CH-1100A2-01006   | 3363360 | BLOCO CILINDRO S1100A2              |
| 02   | CH-195-01019-1    | 3361700 | JUNTA TAMPA TRAZEIRA S1100A2/N/NM   |
| 03   | CH-195-01020-2    | 3372110 | TAMPA TRASEIRA S1100A2              |
| 04   | CH-GB/T97.1-08140 | 3376620 | ARRUELA LISA 8-140HV                |
| 05   | CH-GB/T5793-08    | 3375530 | ARRUELA 8                           |
| 06   | CH-GB/T5783-0825  | 3375360 | PARAFUSO M8X25                      |
| 07   | CH-195-01100-4    | 3372260 | VARETA NIVEL OLEO S1100A2/ZS1115    |
| 08   | CH-195-01021      | 3372120 | PLUGUE OLEO INTERNO                 |
| 09   | CH-GB/T5783-0825  | 3375360 | PARAFUSO M8X25                      |
| 10   | CH-GB/T93-10      | 3376500 | ARRUELA PRES. 10                    |
| 11   | CH-GB/T93-10140   | 3376510 | ARRUELA PRES. 10-140HV              |
| 12   | CH-GB/T276-6205   | 3374620 | ROLAMENTO ESFERA 6205               |
| 13   | CH-195-01022      | 3372130 | JUNTA TAMPA EIXO BALANCIN S1100A2   |
| 14   | CH-195-01023      | 3372140 | TAMPA EIXO BALANCIN S1100A2         |
| 15   | CH-GB/T5782-0840  | 3375100 | PARAFUSO M8X40                      |
| 16   | CH-195-01024      | 3372150 | JUNTA BOMBA OLEO LUBR. S1100A2      |
| 17   | CH-GB/T119-0512   | 3374560 | PINO GUIA A5X12                     |
| 18   | CH-195-01025      | 3372160 | ARRUELA 8                           |
| 19   | CH-195-01026      | 3372170 | PLUGUE                              |
| 20   | CH-195-01027-1    | 3361710 | MANCAL (BRONZINA)VIRABR.S1100A2     |
| 21   | CH-PD50X80X12     | 3378000 | RETENTOR VIRABREQUIM 50X80X12       |
| 22   | CH-195-01028-2    | 3372180 | MANCAL (FLANGE) PRINCIPAL S1100A2   |
| 23   | CH-195-01029      | 3361720 | JUNTA MANCAL VIRAB.S1100A2/N/NM     |
| 24   | CH-195-01030      | 3372190 | TAMPA COMANDO VALV.S1100A2/ZS1115   |
| 25   | CH-195-01031      | 3372210 | JUNTA TAMPA COMAN.S1100A2/ZS1115    |
| 26   | CH-195-01032      | 3372230 | BUCHA EIXO COM.S1100A2/ZS1115/L24/2 |
| 28   | CH-195-01033      | 3361730 | JUNTA CARTER OLEO S1100A2/N/NM      |
| 29   | CH-195-01200-1    | 3372280 | CARTER S1100A2                      |
| 30   | CH-GB/T5783-0818  | 3375330 | PARAFUSO M8X18                      |
| 31   | CH-GB/T1235-16    | 3374580 | ANEL O 16X2.4                       |



**FIG.03 CABEÇOTE**

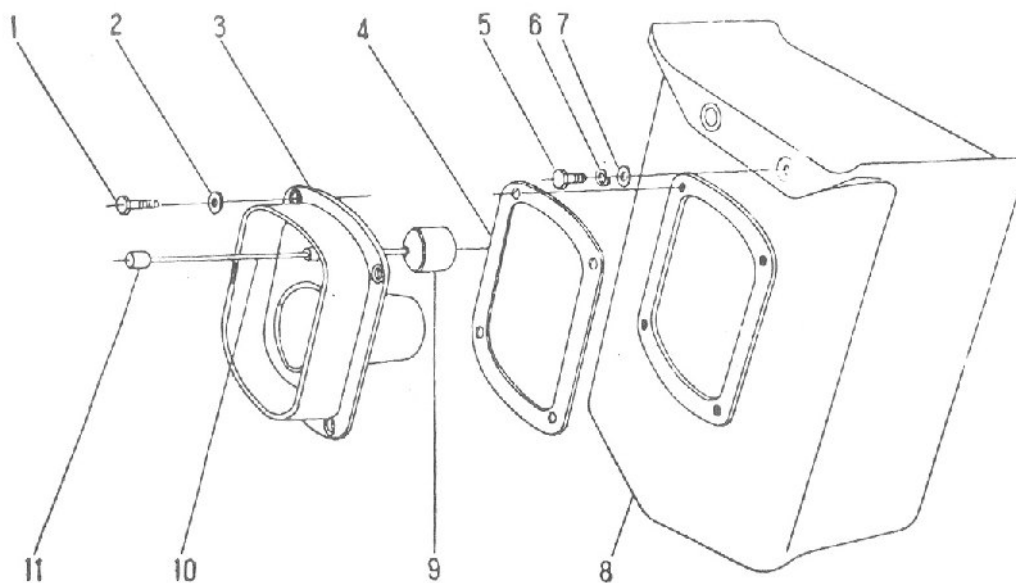
| Ref. | Cod.Fab.         | Cod.CCM | Descricao                           | Ref. | Cod.Fab.         | Cod.CCM | Descricao                           |
|------|------------------|---------|-------------------------------------|------|------------------|---------|-------------------------------------|
| 01   | CH-GB/T6170-10   | 3375570 | PORCA M10                           | 25   | CH-195-03011     | 3372410 | GUIA VALVULA S1100A2/ZS1115/L24     |
| 02   | CH-GB/T93-10     | 3376500 | ARRUELA PRES. 10                    | 26   | CH-GB/T119-0512  | 3374560 | PINO GUIA A5X12                     |
| 04   | CH-195-03101     | 3372520 | TAMPA CABECOTE S1100A2              | 27   | CH-GB/T6170-08   | 3375560 | PORCA M8                            |
| 05   | CH-195-03102     | 3372530 | BUCHA EIXO DESCOM.S1100A2/ZS1115/L2 | 28   | CH-GB/T93-08     | 3376490 | ARRUELA PRES. 8                     |
| 06   | CH-195-03103     | 3372540 | EIXO DESCOMP.S1100A2/ZS1115/L24     | 29   | CH-195-03028-1   | 3361820 | SEDE VALVULA ESCP.S1100A2/N/NM      |
| 07   | CH-195-03111-1   | 3361830 | VISOR OLEO (PRESSAO) S1100A2/N/NM   | 30   | CH-195-03013     | 3372420 | CHAPA RET.INJ.S1100A2/R190/N        |
| 08   | CH-195-03112     | 3372580 | MOLA EMBOLO INDICADOR S1100A2       | 31   | CH-195-03014     | 3372430 | PARAFUSO PRIS.INJ.S1100A2/ZS1115/L2 |
| 09   | CH-195-03113     | 3372590 | HASTE INDICADOR OLEO S1100A2/ZS1115 | 32   | CH-GB/T5783-0830 | 3375380 | PARAFUSO M8X30                      |
| 10   | CH-GB/T5783-0828 | 3375370 | PARAFUSO M8X28                      | 33   | CH-195-03015     | 3361780 | JUNTA COLETOR ESCAP.S1100A2/N/NM    |
| 11   | CH-195-03115-1   | 3372610 | UNIAO INDICADOR OLEO S1100A2/ZS1115 | 36   | CH-1100A2-03018  | 3363370 | BUJAO (LACRE) CABECOTE S1100A2      |
| 12   | CH-195-03116     | 3372620 | INDICADOR VERM.OLEO S1100A2/ZS1115  | 37   | CH-195-03019-1   | 3361800 | VALVULA ESCAPE S1100A2/N/NM         |
| 13   | CH-195-03117     | 3372630 | CAPA BOIA INDICADOR S1100A2/ZS1115  | 38   | CH-1100A1-03020  | 3361050 | VALVULA ADMISSAO S1100A2/N/NM       |
| 14   | CH-195-03001     | 3361740 | JUNTA TAMPA CABEC.S1100A2/N/NM      | 39   | CH-195-03021     | 3361810 | SEDE VALVULA ADMS.S1100A2/N/NM      |
| 15   | CH-195-03002     | 3372350 | TRAVA EIXO BALANCIM S1100A2/ZS1115/ | 40   | CH-195-03022     | 3372450 | JUNTA COLETOR ADMISSAO S1100A2      |
| 16   | CH-195-03003     | 3372360 | ARRUEL EIXO BALANCIM S1100A2/ZS1115 | 41   | CH-195-03023     | 3372460 | BUJAO (LACRE)                       |
| 17   | CH-GB/T6171-0801 | 3375590 | PORCA M8X1                          | 42   | CH-195-03024     | 3372470 | PARAFUSO PRIS.BALANC.S1100A2/ZS1115 |
| 18   | CH-195-03004     | 3372370 | BALANCIM S1100A2/ZS1115/L24         | 43   | CH-195-03025     | 3372480 | PARAFUSO PRIS.BAL.S1100A2/ZS1115/L2 |
| 19   | CH-195-03005     | 3372380 | BUCHA EIXO BALANC.S1100A2/ZS1115/L2 | 44   | CH-195-03026     | 3372490 | EIXO BALANCIM S1100A2/ZS1115        |
| 20   | CH-195-03006-1   | 3372390 | PARAFUSO AJUS.VALV.S1100A2/ZS1115/L | 45   | CH-195-03027     | 3372500 | SUPORTE EIXO BALNC.S1100A2/ZS1115   |
| 21   | CH-195-03007     | 3361750 | TRAVA VALVULA S1100A2/N/NM          | 46   | CH-195-03104     | 3372550 | MOLA ALAV.DESC.S1100A2/ZS1115/L24   |
| 22   | CH-195-03008     | 3372400 | ASSENTO MOLA VALV.S1100A2/ZS1115/L2 | 47   | CH-195-03105     | 3372560 | ALAVANCA DESC.S1100A2               |
| 23   | CH-195-03009-1   | 3361760 | MOLA VALVULA EXTERNA S1100A2/N/NM   | 48   | CH-195-03106     | 3372570 | CONTRA PORCA                        |
| 24   | CH-195-03010     | 3361770 | MOLA VALVULA INTERNA S1100A2/N/NM   |      |                  |         |                                     |



**FIG.04 PISTÃO E BIELA**

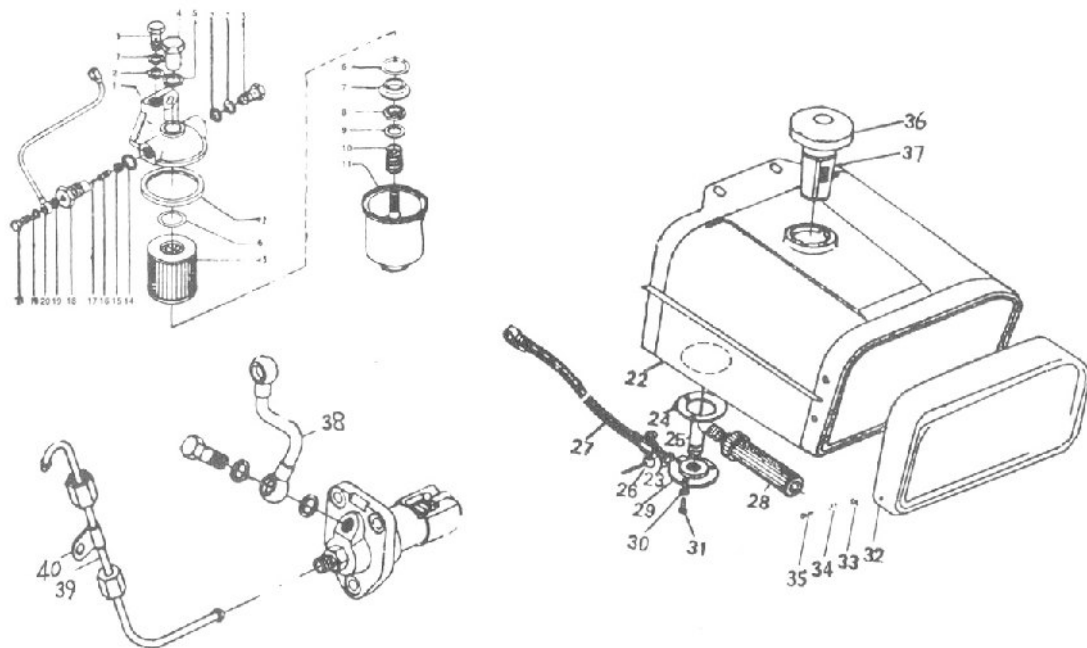
| Ref. | Cod.Fab.       | Cod.CCM | Descricao                          |
|------|----------------|---------|------------------------------------|
| 01   | CH-1100A-04001 | 3363260 | ANEL SEGM. NR1 S1100A2             |
| 02   | CH-1100A-04002 | 3363270 | ANEL SEGM. NR2,3 S1100A2           |
| 03   | CH-1100A-04100 | 3363280 | ANEL SEGM. OLEO S1100A2            |
| 04   | CH-195-04004-1 | 3361840 | TRAVA PINO PISTAO 36 S1100A2/N/NM  |
| 05   | CH-1100A-04003 | 3361040 | PISTAO S1100A2/N/NM                |
| 06   | CH-195-04006   | 3361000 | BIELA CPL S1100A2/N/NM             |
| 07   | CH-GB/T343-64  | 3374970 | TRAVA (ARAME GALVANIZADO 01.8X180) |
| 08   | CH-195-04008   | 3361850 | PARAFUSO BIELA S1100A2/N/NM        |
| 09   | CH-195-04009   | 3372660 | BIELA INF.(CAPA) S1100A2           |
| 10   | CH-195-04010   | 3372670 | BUCHA GUIA BIELA S1100A2           |
| 11   | CH-195-04011   | 3361860 | CASQUILHO BIELA S1100A2/N/NM       |
| 12   | CH-195-04012-1 | 3372680 | BUCHA BIELA/PISTAO S1100A2         |
| 13   | CH-195-04013   | 3361870 | PINO PISTAO S1100A2/N/NM           |





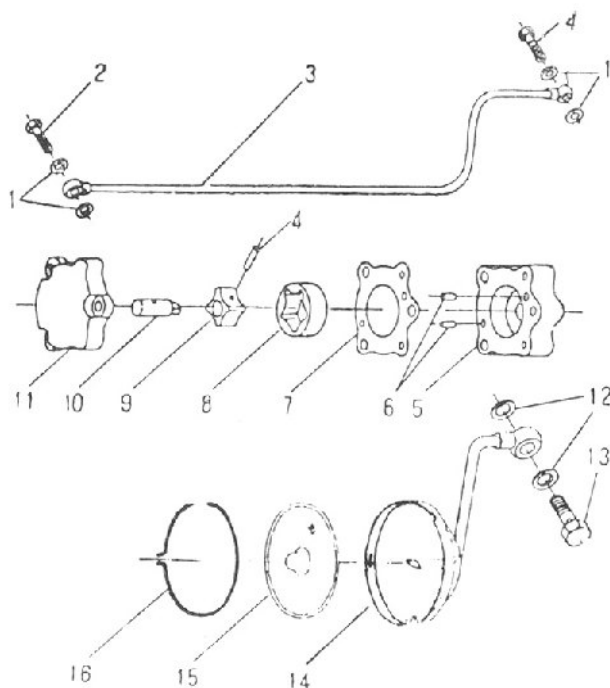
**FIG.06 RESERVATÓRIO DE ÁGUA**

| Ref. | Cod.Fab.          | Cod.CCM | Descricao                           |
|------|-------------------|---------|-------------------------------------|
| 01   | CH-GB/T5783-0822  | 3375350 | PARAFUSO M8X22                      |
| 02   | CH-GB/T97.1-08140 | 3376620 | ARRUELA LISA 8-140HV                |
| 03   | CH-195-06103-4    | 3372780 | FUNIL ENTRADA AGUA S1100A2          |
| 04   | CH-195-06001      | 3372770 | JUNTA FUNIL S1100A2/L24/28/32       |
| 05   | CH-GB/T5783-0818  | 3375330 | PARAFUSO M8X18                      |
| 06   | CH-GB/T93-08      | 3376490 | ARRUELA PRES. 8                     |
| 07   | CH-195-05013      | 3372750 | ARRUELA                             |
| 08   | CH-1100A2-06002-2 | 3363380 | RESERVATORIO AGUA S1100A2           |
| 09   | CH-195-06203      | 3372830 | BOIA AGUA R190/S1100A2/L24/28/32    |
| 10   | CH-1100A-06201    | 3363320 | HASTE IND.NIVEL AGUA S1100A2        |
| 11   | CH-195-06202      | 3372810 | INDICADOR AGUA R190/S1100A2/L24/28/ |



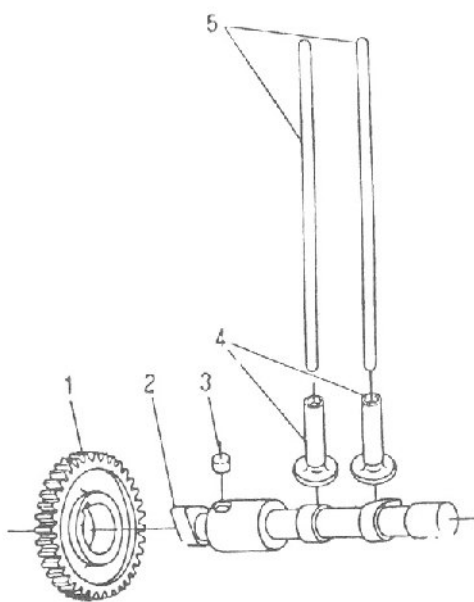
**FIG.07 SISTEMA DE COMBUSTÍVEL**

| Ref. | Cod.Fab.          | Cod.CCM | Descricao                           |
|------|-------------------|---------|-------------------------------------|
| 01   | CH-C0506-0002     | 3373980 | TAMPA FILTRO COMB.S1100A2           |
| 02   | CH-195-1117009    | 3373480 | ARRUELA S1100A2                     |
| 03   | CH-195-1117006    | 3373470 | PARAFUSO OCO CONEXAO S1100A2        |
| 04   | CH-C0506A-0004A   | 3374010 | PORCA TRAVA FILT.COMB.S1100A2       |
| 05   | CH-495A-12016     | 3373730 | ANEL VEDACAO S1100A2                |
| 06   | CH-C0506A-0005    | 3374020 | ANEL VEDACAO S1100A2                |
| 07   | CH-C0506A-0006    | 3374030 | SUPORTE ELEMENT. FILT COMB          |
| 08   | CH-C0506A-0013    | 3374040 | ANEL VEDACAO                        |
| 09   | CH-C0506A-0015    | 3374050 | ARRUELA                             |
| 10   | CH-C0506A-0016    | 3374060 | MOLA                                |
| 11   | CH-C0506A-3000    | 3374080 | CORPO FILTRO COMB.S1100A2           |
| 12   | CH-C0506A-0003    | 3374000 | ANEL VEDACAO                        |
| 13   | CH-C0506A-1000    | 3374070 | ELEMENTO FILTRO PAPEL S1100A2       |
| 14   | CH-C0506A-0001    | 3373990 | ARRUELA                             |
| 15   | CH-C0506B-0011    | 3374130 | ASSENTO VALVULA                     |
| 16   | CH-C0506B-0010    | 3374120 | MOLA                                |
| 17   | CH-C0506B-0009    | 3374110 | ESFERA ACO                          |
| 18   | CH-C0506B-0008    | 3374100 | VALVULA ANTI RETORNO                |
| 19   | CH-195-09001-1    | 3372970 | VEDACAO P/PARAF.OCO 8               |
| 20   | CH-195-07100      | 3372880 | TUBO RETORNO S1100A2                |
| 21   | CH-195-09002      | 3372980 | PARAFUSO OCO CONEXAO                |
| 22   | CH-1100A2-07500   | 3363410 | TANQUE COMBUSTIVEL S1100A2          |
| 24   | CH-195-07004      | 3372840 | JUNTA VED.SAIDA TQ.S1100A2/ZS1115   |
| 25   | CH-195-07005      | 3372850 | TUBO SAIDA COMB.S1100A2/ZS1115      |
| 26   | CH-195-07700      | 3372940 | TORNEIRA COMBUSTIVEL S1100A2/ZS1115 |
| 27   | CH-195-07900      | 3361910 | MANGUEIRA COMBUSTIVEL CPL.S1100A2   |
| 28   | CH-195-07600      | 3372930 | FILTRO PRIMARIO S1100A2/ZS1115      |
| 29   | CH-195-07006      | 3372860 | FLANGE TORNEIRA S1100A2/ZS1115      |
| 30   | CH-GB/T93-06      | 3376480 | ARRUELA PRES. 6                     |
| 31   | CH-GB/T5783-0616  | 3375240 | PARAFUSO M6X16                      |
| 32   | CH-1100A2-07509   | 3363420 | COBERTURA DIANTEIRA S1100A2         |
| 33   | CH-GB/T97.1-05140 | 3376580 | ARRUELA LISA 5-140HV                |
| 34   | CH-GB/T93-05      | 3376470 | ARRUELA PRES. 5                     |
| 35   | CH-GB/T67-0512    | 3375740 | PARAFUSO M5X12                      |
| 36   | CH-195-07300      | 3372900 | TAMPA TANQUE R190/S1100A2           |
| 37   | CH-195-07400      | 3372910 | FILTRO TAMPA COMB. R190/S1100A2     |
| 38   | CH-195-07800      | 3372950 | TUBO COMBUSTIVEL                    |
| 39   | CH-195-07200      | 3361900 | TUBO INJETOR CPL S1100A2/N/NM       |
| 40   | CH-195-07205-1    | 3372890 | PRESILHA TUBO                       |



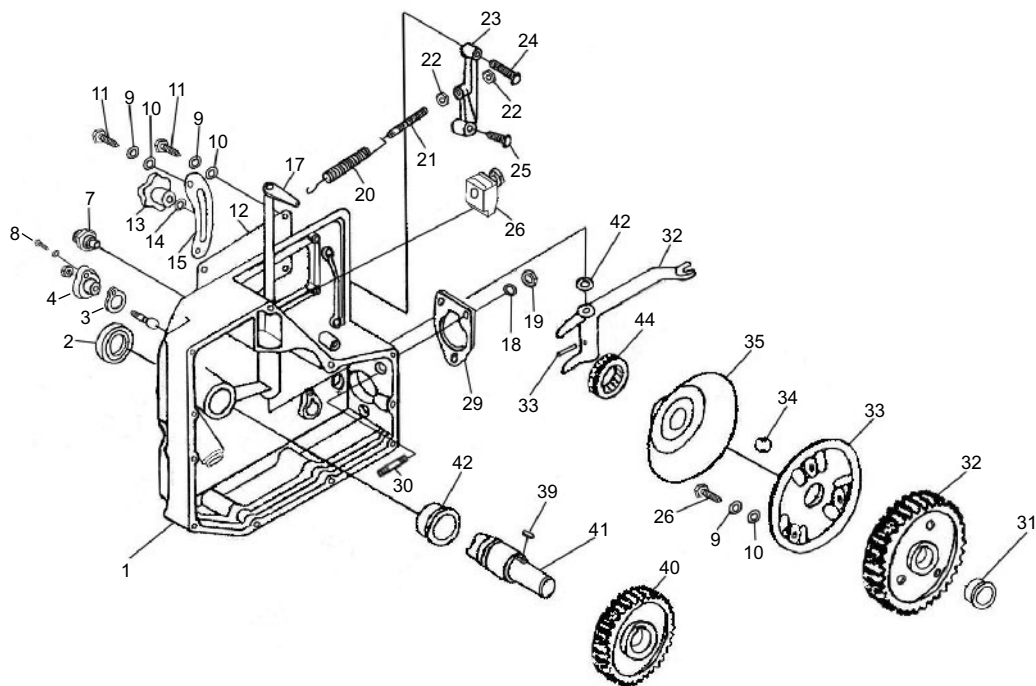
**FIG.08 SISTEMA DE LUBRIFICAÇÃO**

| Ref. | Cod.Fab.        | Cod.CCM | Descricao                          |
|------|-----------------|---------|------------------------------------|
| 01   | CH-195-09001-1  | 3372970 | VEDACAO P/PARAF.OCO 8              |
| 02   | CH-195-09002    | 3372980 | PARAFUSO OCO CONEXAO               |
| 03   | CH-195-09100    | 3373000 | TUBO OLEO S1100A2                  |
| 04   | CH-195-09201    | 3373010 | PINO CILINDRICO                    |
| 05   | CH-195-09202-1  | 3373020 | CORPO BOMBA OLEO S1100A2           |
| 06   | CH-GB/T119-0512 | 3374560 | PINO GUIA A5X12                    |
| 07   | CH-195-09203-1  | 3373030 | JUNTA BOMBA OLEO S1100A2           |
| 08   | CH-195-09204    | 3373040 | ROTOR EXT.BBA.OLEO S1100A2         |
| 09   | CH-195-09205    | 3373050 | ROTOR INT.BBA.OLEO S1100A2         |
| 10   | CH-195-09226    | 3373070 | EIXO BOMBA OLEO S1100A2            |
| 11   | CH-195-09207-1  | 3373060 | COBERT.BOMBA OLEO S1100A2          |
| 12   | CH-195-01025    | 3372160 | ARRUELA 8                          |
| 13   | CH-195-09003    | 3372990 | PARAFUSO OCO CONECTOR              |
| 14   | CH-195-09310    | 3373090 | CARCACA FILT.PESC.OLEO S1100A2     |
| 15   | CH-195-09320    | 3361940 | TELA FILTRO OLEO S1100A2/N/NM      |
| 16   | CH-195-09301    | 3373080 | ANEL RETEN.FIL.OLEO S1100A2/ZS1115 |



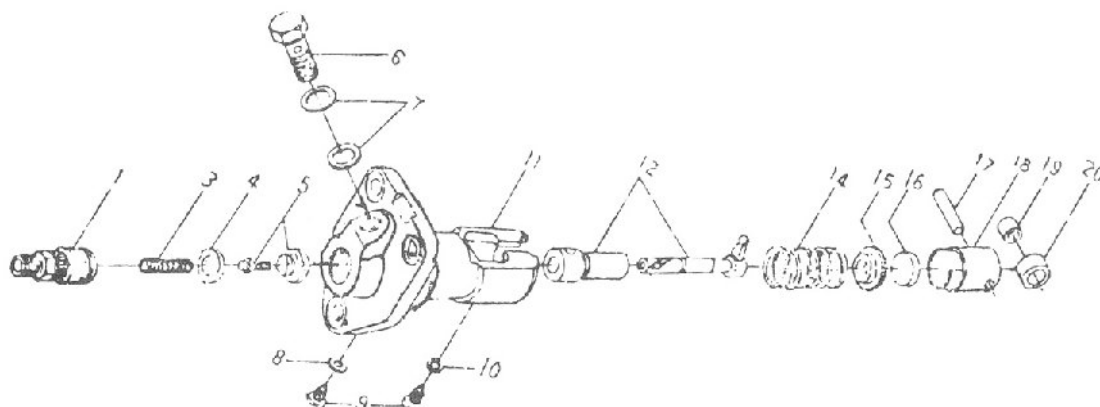
**FIG.09 COMANDO DE VÁLVULA**

| Ref. | Cod.Fab.         | Cod.CCM | Descricao                         |
|------|------------------|---------|-----------------------------------|
| 01   | CH-195-02001     | 3372310 | ENGRENAGEM COM.S1100A2/ZS1115/L24 |
| 02   | CH-195-02002     | 3372320 | COMANDO VALVULA S1100A2           |
| 03   | CH-GB/T1096-1016 | 3374400 | CHAVETA 10X16                     |
| 04   | CH-195-02004     | 3372330 | TUCHO VALVULA S1100A2/ZS1115/L24  |
| 05   | CH-195-02005     | 3372340 | HASTE (VARETA)VALVULA S1100A2     |



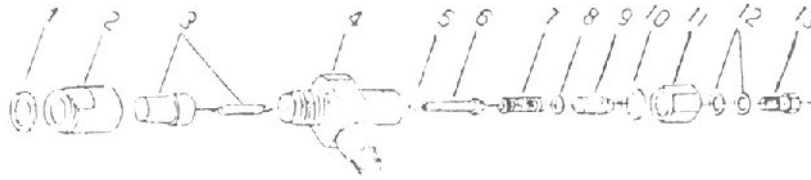
**FIG.10 CAIXA DE ENGRENAGEM**

| Ref. | Cod.Fab.          | Cod.CCM | Descricao                       | Ref. | Cod.Fab.          | Cod.CCM | Descricao                           |
|------|-------------------|---------|---------------------------------|------|-------------------|---------|-------------------------------------|
| 01   | CH-195-10001-2    | 3373100 | CAIXA ENGRENAGEM S1100A2        | 23   | CH-195-10105      | 3373220 | ALAVANCA CONTR.ACEL.                |
| 02   | CH-B35X58X12      | 3373750 | RETENTOR EIXO MANIVELA S1100A2  | 24   | CH-GB/T5783-0840C | 3375410 | PARAFUSO M8X40-Q                    |
| 03   | CH-195-10404      | 3373370 | FLANGE BBA.PRIMING              | 25   | CH-195-10106      | 3373230 | PARAFUSO CONTR.ACEL.                |
| 04   | CH-195-10400-2    | 3373360 | PRIMER COMBUSTIVEL              | 26   | CH-195-10500      | 3373410 | RESPIRO CARCACA S1100A2/ZS1115      |
| 05   | CH-195-10003      | 3373120 | TAMPA INSPECAO GOVERN. S1100A2  | 27   | CH-GB/T67-0612    | 3375770 | PARAFUSO M6X12                      |
| 06   | CH-195-10002      | 3373110 | JUNTA ABERTURA INSPECAO S1100A2 | 28   | CH-GB/T67-0616    | 3375780 | PARAFUSO M6X16                      |
| 07   | CH-1100A-10600    | 3363350 | BASE PRIMER S1100A2             | 29   | CH-195-10007      | 3373140 | CALCO BBA.INJ.R190/S1100A2/ZS1115/L |
| 08   | CH-GB/T67-0625    | 3375800 | PARAFUSO M6X25                  | 30   | CH-195-10008      | 3373150 | PARAFUSO PRIS. BBA.INJ.S1100A2/ZS11 |
| 09   | CH-GB/T93-06      | 3376480 | ARRUELA PRES. 6                 | 31   | CH-195-10107      | 3373240 | BUCHA ENGR.GOVERN.                  |
| 10   | CH-GB/T97.1-06140 | 3376600 | ARRUELA LISA 6-140HV            | 32   | CH-195-10108      | 3373250 | ENGRENAGEM GOVERNADOR               |
| 11   | CH-GB/T67-0616    | 3375780 | PARAFUSO M6X16                  | 33   | CH-195-10109      | 3373260 | DISCO GUIA ESF.GOVER.               |
| 12   | CH-1100A2-10004   | 3363430 | PLACA IDENTIFICACAO S1100A2     | 34   | CH-GB/T308-16     | 3374960 | ESFERA GOVERNADOR D16               |
| 13   | CH-195-10200-1    | 3373330 | MANOPLA BORBOLETA ACELERADOR    | 35   | CH-195-10120      | 3373300 | DISCO ESFERA GOVER. S1100A2/ZS1115  |
| 14   | CH-GB/T97.1-08140 | 3376620 | ARRUELA LISA 8-140HV            | 36   | CH-GB/T301-8106   | 3374910 | ROLAMENTO ESFERA ENCOS.8106         |
| 15   | CH-195-10005      | 3373130 | INDICADOR ACELERADOR S1100A2    | 37   | CH-195-10111B     | 3373270 | GARFO GOVERNADOR S1100A2            |
| 16   | CH-195-10101      | 3373180 | GARFO EIXO GOVER.S1100A2/ZS1115 | 38   | CH-GB/T117-0425   | 3374470 | PINO 4X25                           |
| 17   | CH-195-10102      | 3373190 | ALAVANCA GOVER.S1100A2/ZS1115   | 39   | CH-GB/T1096-0806  | 3374350 | CHAVETA 8X6                         |
| 18   | CH-GB/T93-08      | 3376490 | ARRUELA PRES. 8                 | 40   | CH-195-10302      | 3373340 | ENGRENAGEM MANIVELA                 |
| 19   | CH-GB/T6170-08    | 3375560 | PORCA M8                        | 41   | CH-195-10303-1    | 3373350 | EIXO MANIVELA PARTIDA               |
| 20   | CH-195-10103      | 3373200 | MOLA GOVERNADOR S1100A2         | 42   | CH-195-10010      | 3373160 | BUCHA EIXO MANV.S1100A2/ZS1115/L24/ |
| 21   | CH-195-10104      | 3373210 | PARAFUSO AJUSTE GOVER.          | 43   | CH-195-10113      | 3373290 | BUCHA AJUSTE                        |
| 22   | CH-GB/T6170-06    | 3375550 | PORCA M6                        | 44   | CH-195-10031      | 3373170 | CALSO ROL.ENC.GOV.S1100A2/L24/28/32 |



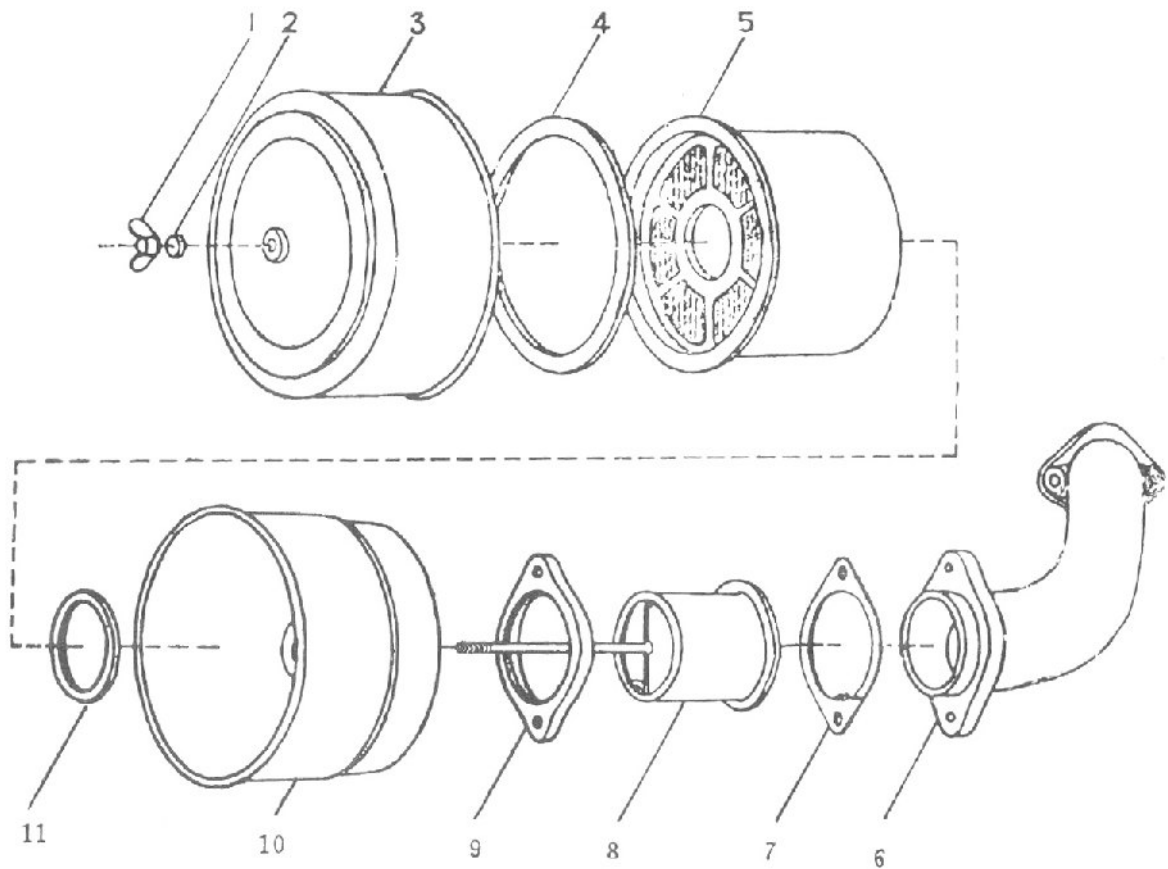
**FIG.11 BOMBA DE COMBUSTÍVEL**

| Ref. | Cod.Fab.     | Cod.CCM | Descricao                          |
|------|--------------|---------|------------------------------------|
| 01   | CH-TI-0010   | 3385250 | CONEXAO SAIDA BBA.INJ.S1100A2      |
| 03   | CH-TI-0012   | 3385270 | MOLA VALVULA ANTI RET.S1100A2      |
| 04   | CH-TI-0011   | 3385260 | ANEL VEDACAO VALV.BBA.INJ.S1100A2  |
| 05   | CH-FI5-00    | 3374260 | ASSENTO VALV.SAIDA BBA.INJ.S1100A2 |
| 06   | CH-TI-0102   | 3385280 | PARAFUSO OCO CONEXAO ENTR.         |
| 07   | CH-WB401-12Q | 3385340 | VEDACAO PARAF.OCO                  |
| 08   | CH-WB401-6Q  | 3385350 | ARRUELA 6                          |
| 09   | CH-1I-0002   | 3373720 | PARAFUSO RETENTOR                  |
| 10   | CH-GB/T93-06 | 3376480 | ARRUELA PRES. 6                    |
| 11   | CH-1I-0001   | 3373710 | CORPO BOMBA INJ.S1100A2            |
| 12   | CH-UI-00     | 3363130 | ELEMENTO BOMBA INJETORA S1100A2    |
| 14   | CH-TI-0002   | 3385230 | MOLA EMBOLO BBA.INJ.S1100A2        |
| 15   | CH-TI-0004   | 3385240 | ASSENTO INF.MOLA BBA.INJ.S1100A2   |
| 16   | CH-TI-0305   | 3385320 | CLSO AJUSTE BBA.INJ.S1100A2        |
| 17   | CH-TI-0302   | 3385290 | PINO ROLIC.BBA.INJ. S1100A2        |
| 18   | CH-TIA-0301  | 3385330 | TUCHO BBA.INJ.S1100A2              |
| 19   | CH-TI-0303   | 3385300 | BUCHA TAMBOR BBA.INJ.S1100A2       |
| 20   | CH-TI-0304   | 3385310 | TAMBOR BBA.INJ.S1100A2             |



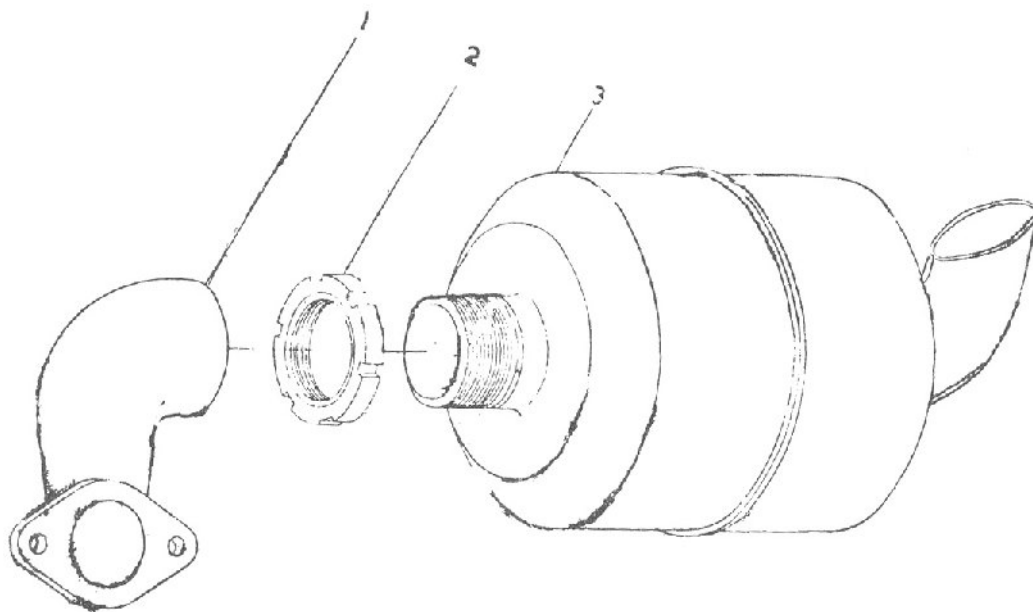
**FIG.12 INJETOR DE COMBUSTÍVEL**

| Ref. | Cod.Fab.     | Cod.CCM | Descricao                         |
|------|--------------|---------|-----------------------------------|
| 01   | CH-P661-010  | 3377940 | VEDACAO (COBRE)BICO INJ.S1100A2   |
| 02   | CH-P661-009  | 3377930 | PRESILHA ELEM.BICO INJ.S1100A2    |
| 03   | CH-U4-3      | 3363140 | BICO INJETOR S1100A2/N/NM         |
| 04   | CH-P662-001  | 3377970 | CORPO BICO INJ. S1100A2           |
| 05   | CH-P661-0101 | 3377950 | ESFERA ACO BICO INJ. S1100A2      |
| 06   | CH-P661-0102 | 3377960 | EMBOLO VALVULA BICO INJ.S1100A2   |
| 07   | CH-P661-002  | 3377860 | MOLA VALVULA BICO INJ.S1100A2     |
| 08   | CH-P661-003  | 3377870 | ARRUELA ASSENTO VALV.INJ.S1100A2  |
| 09   | CH-P661-005  | 3377890 | PARAFUSO AJUSTE PRESSAO S1100A2   |
| 10   | CH-P661-004  | 3377880 | ARRUELA VED.RET.BICO S1100A2      |
| 11   | CH-P661-006  | 3377900 | PORCA FIXA RETOR.BICO INJ.S1100A2 |
| 12   | CH-P661-007  | 3377910 | VEDACAO (COBRE)PARF.OCO S1100A2   |
| 13   | CH-P661-008  | 3377920 | PARAFUSO OCO RETOR.S1100A2        |



**FIG.13 FILTRO DE AR**

| Ref. | Cod.Fab.          | Cod.CCM | Descricao                      |
|------|-------------------|---------|--------------------------------|
| 01   | CH-GB/T62-06      | 3375660 | PORCA BORBOLETA M6             |
| 02   | CH-GB/T97.1-06140 | 3376600 | ARRUELA LISA 6-140HV           |
| 03   | CH-195A-11101     | 3373510 | COBERTURA FILTRO AR S1100A2    |
| 04   | CH-195A-11102     | 3373520 | ANEL VEDACAO (BORRACHA)        |
| 06   | CH-195-11002-1    | 3373450 | COLETOR ADMISSAO S1100A2       |
| 07   | CH-195A-11003     | 3373500 | JUNTA COLET./FILTRO AR S1100A2 |
| 08   | CH-195A-11130     | 3373550 | GUIA ELEMENT.FILTRO AR S1100A2 |
| 09   | CH-195A-11105     | 3373540 | FLANGE ELEM.FILTRO AR S1100A2  |
| 10   | CH-195-11120      | 3373460 | CORPO FILTRO AR S1100A2        |
| 11   | CH-195A-11104     | 3373530 | ANEL VEDACAO (BORRACHA)        |



**FIG.15 SISTEMA DE EXAUSTÃO**

| Ref. | Cod.Fab.       | Cod.CCM | Descricao                   |
|------|----------------|---------|-----------------------------|
| 01   | CH-195-08002-2 | 3361920 | COLETOR ESCAPE S1100A2/N/NM |
| 02   | CH-195-08001   | 3372960 | PORCA TRAVA SILENC.S1100A2  |
| 03   | CH-195-08100-1 | 3361930 | SILENCIOSO CPL S1100A2/N/NM |