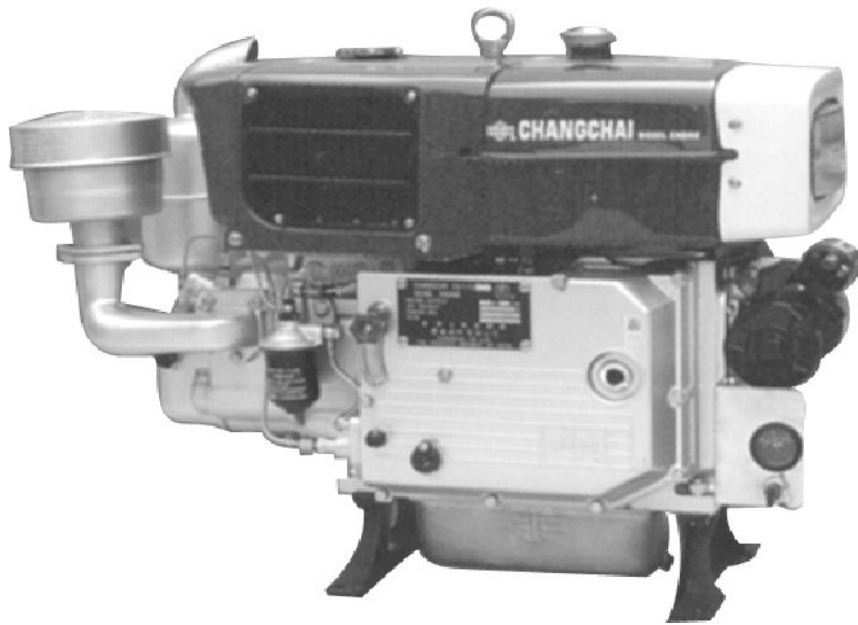


MOTOR DIESEL

CHANGCHAI

Modelo ZS1115NM



EXPLODIDO



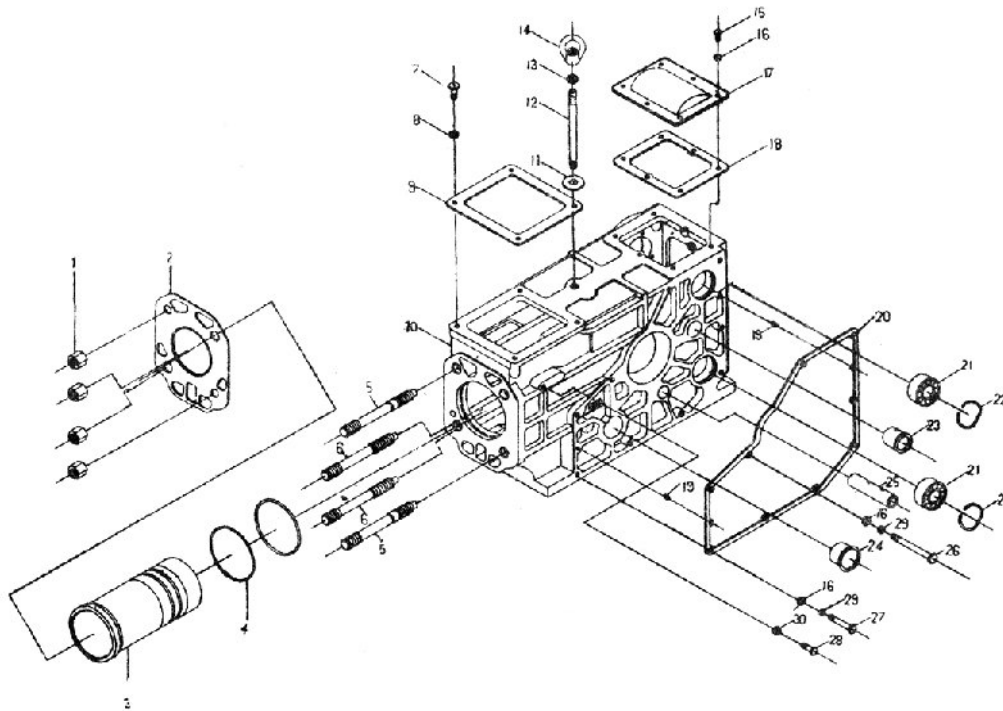


FIG.01 BLOCO DO MOTOR

Ref.	Cod.Fab.	Cod.CCM	Descricao
01	CH-S1110-01001	3379420	PORCA CABECOTE CILINDRO ZS1115/L24
02	CH-S1115-01003	3363050	JUNTA CABECOTE ZS1115NM
03	CH-S1115-01001	3363040	CAMISA CILINDRO ZS1115NM
04	CH-S1110-01005	3362780	ANEL OR CAMISA ZS1115NM
05	CH-S1110-01002	3362770	PARAFUSO PRIS.CABECOTE ZS1115NM
06	CH-S1110-01012	3362810	PARAFUSO PRIS.CABECOTE ZS1115NM(II)
07	CH-GB/T5783-1025	3375460	PARAFUSO M10X25
09	CH-195-01007	3372000	JUNTA FUNIL RAD.S1100A2/ZS1115/L24/
10	CH-S1115-01101	3379930	BLOCO CILINDRO ZS1115
11	CH-195-01008	3372010	ARRUELA 10
12	CH-1100A-01009	3363250	PARAFUSO PRIS.SUST.S1100A2 ZS1115
13	CH-GB/T97.1-12140	3376650	ARRUELA LISA 12-140HV
14	CH-195-01010	3372030	PORCA OLHAL P/ SUSP.
15	CH-GB/T5783-0816	3375320	PARAFUSO M8X16
16	CH-GB/T97.1-08140	3376620	ARRUELA LISA 8-140HV
17	CH-S1110-01013	3379460	TAMPA SUP.BLOCO ZS1115/L24/28/32
18	CH-195-01012	3372050	JUNTA TAMPA SUP. S1100A2/ZS1115L24
19	CH-GB/T119-0612	3374570	PINO CILINDRICO 6X12
20	CH-S1110-01011	3362800	JUNTA TAMPA LATERAL ZS1115NM
21	CH-GB/T276-6305	3374650	ROLAMENTO ESFERA 6305
22	CH-S1110-01010	3379450	TRAVA INTERNA ROLAMENTO
23	CH-S1110-01102	3379480	BUCHA EIXO MANIVELA ZS1115/L24/28/3
24	CH-195-01018	3372100	BUCHA EIXO COMAN.S1100A2/ZS1115/L24
25	CH-195-01017	3372090	EIXO GOVERNADOR S1100A2/ZS1115/L24
26	CH-GB/T5783-0895	3375440	PARAFUSO M8X95
27	CH-GB/T5783-0855	3375430	PARAFUSO M8X55
28	CH-GB/T5783-1025	3375460	PARAFUSO M10X25
30	CH-GB/T93-10140	3376510	ARRUELA PRES. 10-140HV
31	CH-S1115-13001	3385060	BASE MOTOR ZS1115

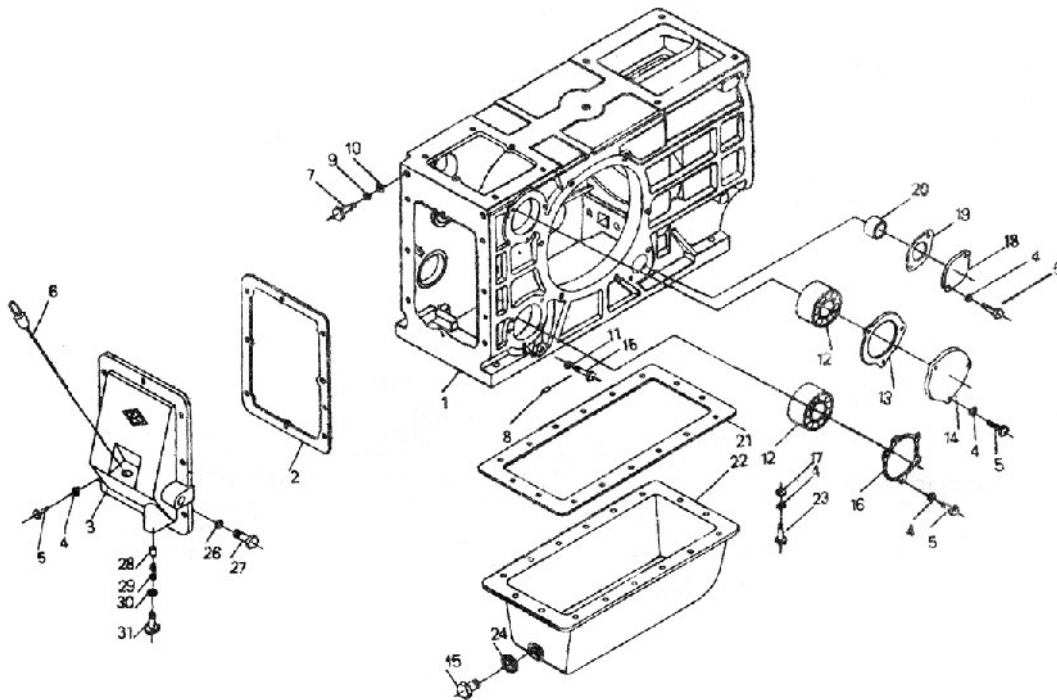


FIG.02 BLOCO DO MOTOR A

Ref.	Cod.Fab.	Cod.CCM	Descricao
02	CH-1100AT-01302	3363560	JUNTA TAMPA TRASEIRA ZS1115
03	CH-1100AT-01300	3363550	TAMPA TRASEIRA ZS1115
04	CH-GB/T93-08	3376490	ARRUELA PRES. 8
05	CH-GB/T5783-0825	3375360	PARAFUSO M8X25
06	CH-195-01100-4	3372260	VARETA NIVEL OLEO S1100A2/ZS1115
07	CH-GB/T5783-1020	3375450	PARAFUSO M10X20
08	CH-195-01021	3372120	PLUGUE OLEO INTERNO
09	CH-GB/T93-10	3376500	ARRUELA PRES. 10
11	CH-195-01025	3372160	ARRUELA 8
12	CH-GB/T276-6305	3374650	ROLAMENTO ESFERA 6305
13	CH-S1110-01009	3379440	JUNTA TAMPA EIXO BAL.ZS1115/L24/28/
14	CH-S1110-01008	3379430	TAMPA EIXO BALANC.ZS1115/L24/28/32
15	CH-195-01026	3372170	PLUGUE
16	CH-S1110-01014	3379470	JUNTA BOMBA OLEO ZS1115/L24/28/32
17	CH-GB/T97.1-08140	3376620	ARRUELA LISA 8-140HV
18	CH-195-01030	3372190	TAMPA COMANDO VALV.S1100A2/ZS1115
19	CH-195-01032	3372230	BUCHA EIXO COM.S1100A2/ZS1115/L24/2
20	CH-195-01032	3372230	BUCHA EIXO COM.S1100A2/ZS1115/L24/2
22	CH-S1115-01002	3379920	CARTER ZS1115
23	CH-GB/T5783-0816	3375320	PARAFUSO M8X16
24	CH-GB/T1235-16	3374580	ANEL O 16X2.4
27	CH-1100AT-01305	3361120	PLUGUE LATERAL L24
28	CH-1100AT-01303	3361100	SEDE AJUSTE PRESS.OLEO L24
29	CH-1100AT-01306	3361130	MOLA AJUSTE PRESS.OLEO L24
30	CH-180-07505	3366030	ARRUELA COBRE ZS1115
31	CH-1100AT-01304	3361110	PARAFUSO AJUSTE PRESS.OLEO L24
32	CH-S1110-01006	3362790	JUNTA MANCAL VIRABREQUIM ZS1115NM

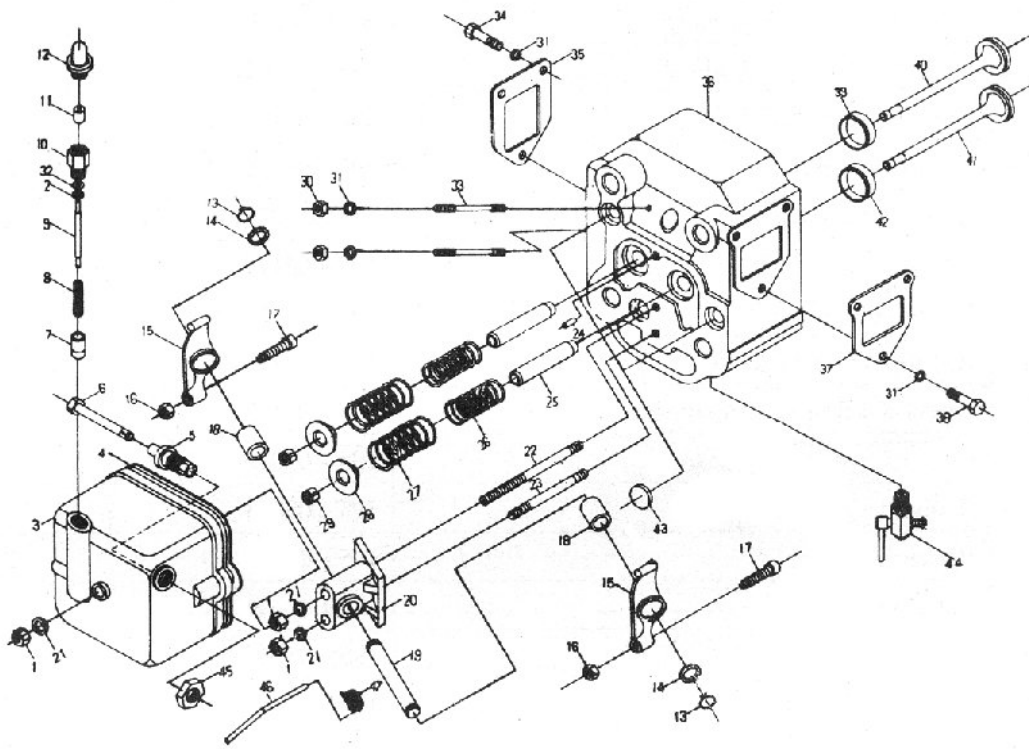


FIG.03 CABEÇOTE

Ref.	Cod.Fab.	Cod.CCM	Descricao	Ref.	Cod.Fab.	Cod.CCM	Descricao
01	CH-GB/T6170-10	3375570	PORCA M10	25	CH-195-03011	3372410	GUIA VALVULA S1100A2/ZS1115/L24
02	CH-GB/T97.1-05	3376570	ARRUELA LISA 5	26	CH-195-03010	3361770	MOLA VALVULA INTERNA S1100A2/N/NM
03	CH-S1110-03101	3379540	TAMPA CABECOTE ZS1115	27	CH-195-03009-1	3361760	MOLA VALVULA EXTERNA S1100A2/N/NM
04	CH-S1110-03003	3362840	JUNTA TAMPA CABECOTE ZS1115NM	28	CH-195-03008	3372400	ASSENTO MOLA VALV.S1100A2/ZS1115/L2
05	CH-195-03102	3372530	BUCHA EIXO DESCOM.S1100A2/ZS1115/L2	29	CH-195-03007	3361750	TRAVA VALVULA S1100A2/N/NM
06	CH-195-03103	3372540	EIXO DESCOMP.S1100A2/ZS1115/L24	30	CH-GB/T6170-08	3375560	PORCA M8
07	CH-195-03111-1	3361830	VISOR OLEO (PRESSAO) S1100A2/N/NM	31	CH-GB/T93-08	3376490	ARRUELA PRES. 8
08	CH-S1110-03112	3379560	MOLA INDICADOR OLEO ZS1115	32	CH-195-03118-2	3372640	ANEL VEDACAO
09	CH-195-03113	3372590	HASTE INDICADOR OLEO S1100A2/ZS1115	33	CH-195-03014	3372430	PARAFUSO PRIS.INJ.S1100A2/ZS1115/L2
10	CH-195-03115-1	3372610	UNIAO INDICADOR OLEO S1100A2/ZS1115	34	CH-GB/T5783-0830	3375380	PARAFUSO M8X30
11	CH-195-03116	3372620	INDICADOR VERM.OLEO S1100A2/ZS1115	35	CH-S1110-03004	3362850	JUNTA COLETOR ESCAPE ZS1115NM
12	CH-195-03117	3372630	CAPA BOIA INDICADOR S1100A2/ZS1115	36	CH-S1110-03203	3362880	CABECOTE ZS1115NM
13	CH-195-03002	3372350	TRAVA EIXO BALANCIM S1100A2/ZS1115/	37	CH-S1110-03005	3379520	JUNTA COLETOR ADM.ZS1115/L24
14	CH-195-03003	3372360	ARRUEL EIXO BALANCIM S1100A2/ZS1115	38	CH-GB/T5783-0825	3375360	PARAFUSO M8X25
15	CH-195-03004	3372370	BALANCIM S1100A2/ZS1115/L24	39	CH-S1110-03201	3362860	SEDE VALVULA ESCP.ZS1115NM
16	CH-GB/T6171-0801	3375590	PORCA M8X1	40	CH-S1110-03001-2	3362820	VALVULA ESCAPE ZS1115NM
17	CH-195-03006-1	3372390	PARAFUSO AJUS.VALV.S1100A2/ZS1115/L	41	CH-S1110-03002-2	3362830	VALVULA ADMISSAO ZS1115NM
18	CH-195-03005	3372380	BUCHA EIXO BALANC.S1100A2/ZS1115/L2	42	CH-S1110-03204	3379570	SEDE VALVULA ADMISSAO ZS1115/L24
19	CH-195-03026	3372490	EIXO BALANCIM S1100A2/ZS1115	43	CH-195-03023	3372460	BUJAO (LACRE)
20	CH-195-03027	3372500	SUPORTE EIXO BALNC.S1100A2/ZS1115	44	CH-195-01300	3372290	TORNEIRA DRENO R3/8 AGUA ZS1115
21	CH-GB/T93-10	3376500	ARRUELA PRES. 10	45	CH-195-03106	3372570	CONTRA PORCA
22	CH-195-03024	3372470	PARAFUSO PRIS.BALANC.S1100A2/ZS1115	46	CH-S1110-03105	3379550	ALAVANCA DESCOMP.ZS1115/L24
23	CH-195-03025	3372480	PARAFUSO PRIS.BAL.S1100A2/ZS1115/L2	47	CH-195-03104	3372550	MOLA ALAV.DESC.S1100A2/ZS1115/L24
24	CH-GB/T119-0512	3374560	PINO GUIA A5X12				

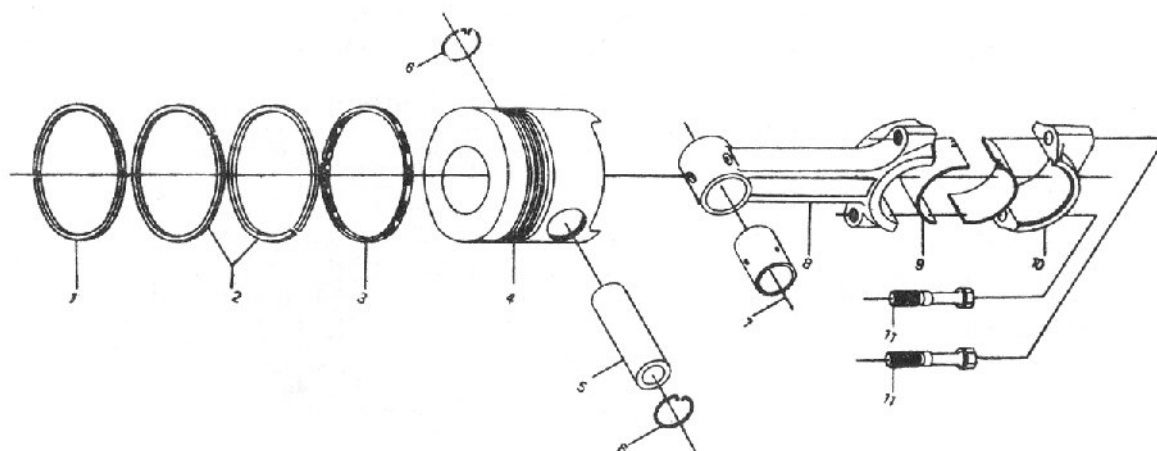


FIG.04 PISTÃO E BIELA

Ref.	Cod.Fab.	Cod.CCM	Descrição
01	CH-S1115-04001	3379940	ANEL SEGM. NR1 ZS1115/L24
02	CH-S1115-04002	3379950	ANEL SEGM. NR2/NR3 ZS1115/L24
03	CH-S1115-04100	3379960	ANEL SEGM.OLEO ZS1115/24
04	CH-S1115-04003	3363060	PISTAO ZS1115NM
05	CH-S1115-04004	3363070	PINO PISTAO ZS1115NM
06	CH-GB/T893.1-36	3376100	TRAVA PINO PISTAO 36
07	CH-S1110-04201	3379580	BUCHA BIELA ZS1115
08	CH-S1115-04202	3379970	BIELA SUP.ZS1115
09	CH-S1110-04203	3362890	CASQUILHO BIELA ZS1115NM
10	CH-S1115-04205	3379980	BIELA INFERIOR ZS1115
11	CH-S1110-04204	3362900	PARAFUSO BIELA ZS1115NM

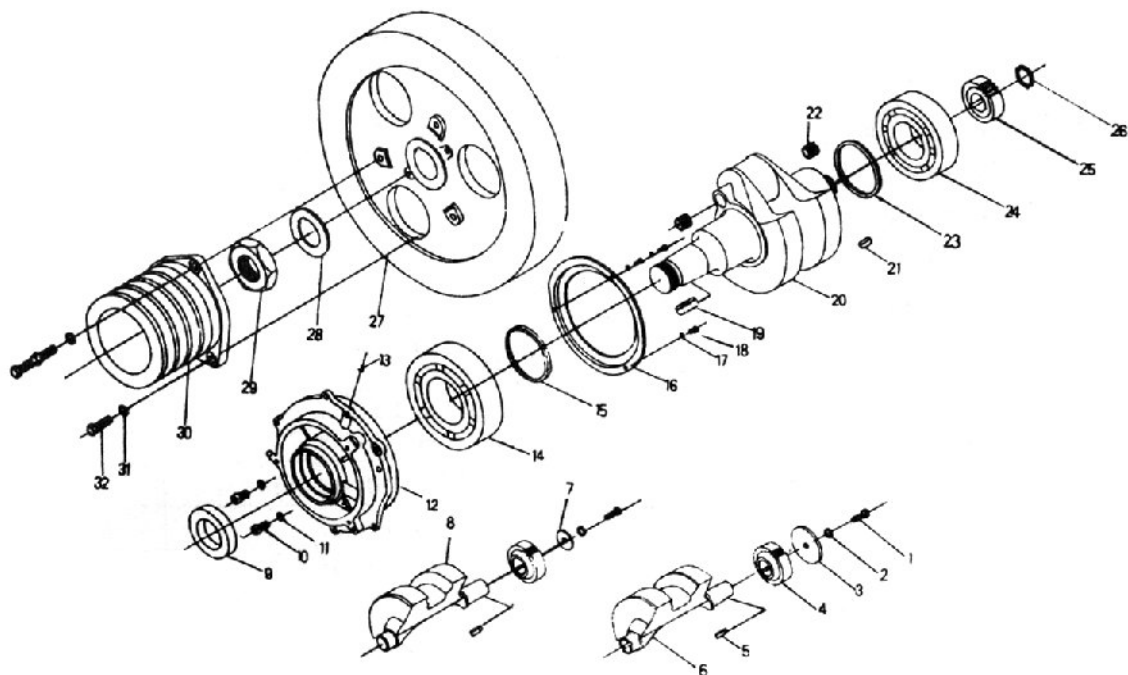


FIG.05 VIRABREQUIM E VOLANTE

Ref.	Cod.Fab.	Cod.CCM	Descricao
01	CH-GB/T5783-0816	3375320	PARAFUSO M8X16
02	CH-GB/T893-08	3376150	ARRUELA 8
03	CH-S1110-05004	3379590	ARRUELA EIXO BALANCIM ZS1115
04	CH-195-05012	3372740	ENGRENAGEM BAL.S1100A2/ZS1115/L24/2
05	CH-GB/T1097-0616	3374440	CHAVETA C6X16
06	CH-S1115-05006	3385010	EIXO BALANCIM INFERIOR ZS1115
07	CH-195-05013	3372750	ARRUELA
08	CH-S1115-05010	3385030	EIXO BALANCIM SUPERIOR ZS1115
09	CH-GB/T9877-50	3376670	RETENTOR VIRABR. FB50X80X12 L24
10	CH-GB/T65-1012	3375710	PARAFUSO M10X12
11	CH-195-09001-1	3372970	VEDACAO P/PARAF.OCO 8
12	CH-S1110-05013-1	3379620	MANCAL S/ROL.EIXO PTO ZS1115
13	CH-195-01021	3372120	PLUGUE OLEO INTERNO
14	CH-GB/T276-6314	3374690	ROLAMENTO ESFERA 6314
15	CH-S1110-05014	3379630	TRAVA ROLM/EIXO B ZS1115/L24
16	CH-S1110-05012	3379610	TRAVA ROLM. EXT.
17	CH-GB/T93-05	3376470	ARRUELA PRES. 5
18	CH-GB/T67-0510	3375730	PARAFUSO M5X10
19	CH-GB/T1096-1240	3374420	CHAVETA 12X40
20	CH-S1115-05009	3385020	VIRABREQUIM ZS1115
21	CH-GB/T1096-0818	3374370	CHAVETA 8X18
22	CH-195-05007-1	3372720	BUJAO VIRAB.S1100A2/ZS1115/L24/28/3
23	CH-S1110-05007	3379600	TRAVA ROLAM/EIXO A ZS1115/L24
24	CH-GB/T283-94 423	3362080	ROLAMENTO 42312 VIRABR.ZS1115NM
25	CH-195-05009	3361890	ENGRENAGEM PONTO S1100A2/ZS1115/L24
26	CH-GB/T894.1-30	3376230	TRAVA EXT 30
27	CH-S1115-05003	3385000	VOLANTE S/PARTIDA ZS1115
28	CH-195-05003-1	3372690	ARRUELA TRAV.PORC.S1100A2/ZS1115/L2
29	CH-195-05002-1	3361880	PORCA VOLANTE S1100A2/N/NM
30	CH-S1115-05001	3379990	POLIA CORREIA 150X4B
31	CH-GB/T93-12	3376530	ARRUELA PRES. 12
32	CH-GB/T5783-1235	3375500	PARAFUSO M12X35

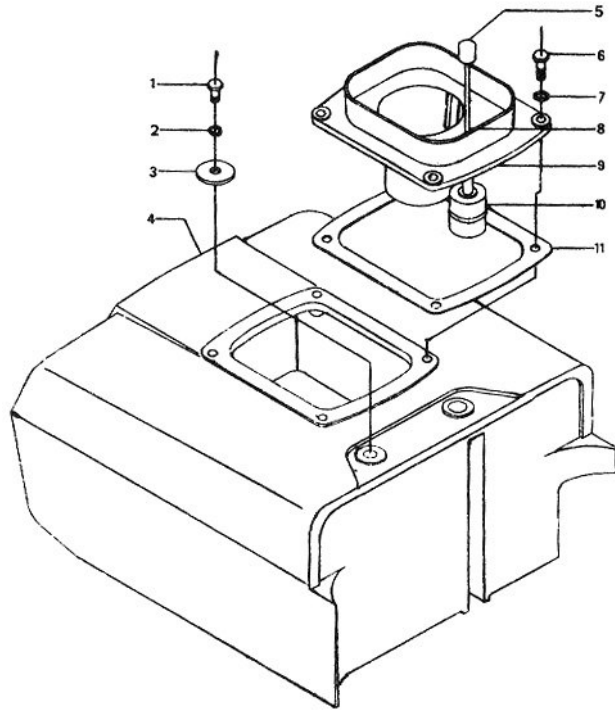


FIG.06 RESERVATÓRIO DE ÁGUA

Ref.	Cod.Fab.	Cod.CCM	Descrição
01	CH-GB/T5783-0818	3375330	PARAFUSO M8X18
02	CH-GB/T93-08	3376490	ARRUELA PRES. 8
03	CH-195-05013	3372750	ARRUELA
05	CH-195-06202-1	3372820	ESFERA INDICADORA NIV.AGUA
06	CH-GB/T5783-0822	3375350	PARAFUSO M8X22
07	CH-GB/T97.1-08140	3376620	ARRUELA LISA 8-140HV
10	CH-195-06203	3372830	BOIA AGUA R190/S1100A2/L24/28/32
11	CH-195-06001	3372770	JUNTA FUNIL S1100A2/L24/28/32

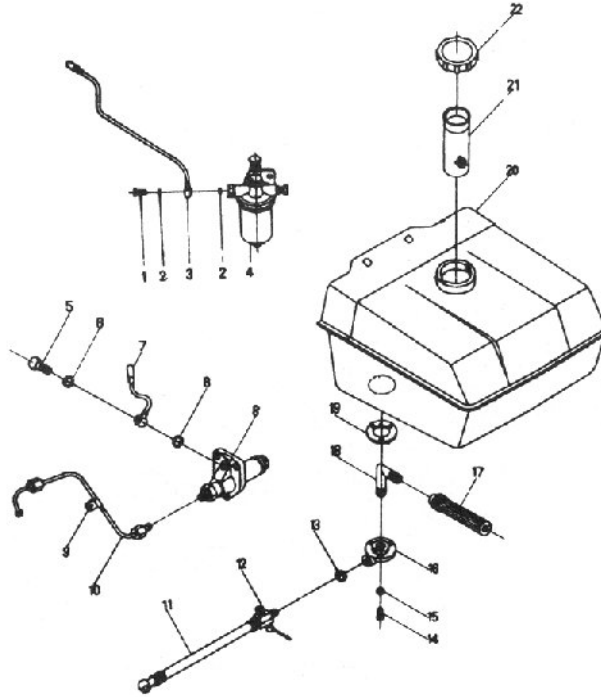


FIG.07 SISTEMA DE COMBUSTÍVEL

Ref.	Cod.Fab.	Cod.CCM	Descricao
01	CH-195-09002	3372980	PARAFUSO OCO CONEXAO
02	CH-195-09001-1	3372970	VEDACAO P/PARAF.OCO 8
03	CH-195-07300	3379690	TUBO RETORNO COMB.ZS1115/L24/28/32
04	CH-C0506C	3374140	FILTRO COMBUSTIVEL CPL.S1100A2/ZS11
05	CH-195-07006	3372860	FLANGE TORNEIRA S1100A2/ZS1115
06	CH-C0506B-0001	3374090	VEDACAO PARAFUSO OCO
07	CH-S1110-07300	3379680	TUBO COMB.FIL/BBA.ZS1115/L24
08	CH-BA19-00	3373870	BOMBA INJECAO (BFG1AK90Z02)ZS1115
09	CH-S1110-07201	3379670	PRESILHA TUBO ALTA PRES.ZS1115/L24
10	CH-S1110-07200	3362910	TUBO INJETOR ZS1115NM
11	CH-195-07900	3361910	MANGUEIRA COMBUSTIVEL CPL.S1100A2
12	CH-195-07700	3372940	TORNEIRA COMBUSTIVEL S1100A2/ZS1115
13	CH-195-07007	3372870	VEDACAO SAIDA TORN. ZS1115
14	CH-GB/T5783-0616	3375240	PARAFUSO M6X16
15	CH-GB/T93-06	3376480	ARRUELA PRES. 6
16	CH-195-07006	3372860	FLANGE TORNEIRA S1100A2/ZS1115
17	CH-195-07600	3372930	FILTRO PRIMARIO S1100A2/ZS1115
18	CH-195-07005	3372850	TUBO SAIDA COMB.S1100A2/ZS1115
19	CH-195-07004	3372840	JUNTA VED.SAIDA TQ.S1100A2/ZS1115
20	CH-S1110-07100-1	3379660	TANQUE COMBUSTIVEL ZS1115
21	CH-195-07400A	3372910	FILTRO TAMPA COMB. R190/S1100A2
22	CH-S1110-07600	3372900	TAMPA TANQUE S1100A2/ZS1115/165F/17

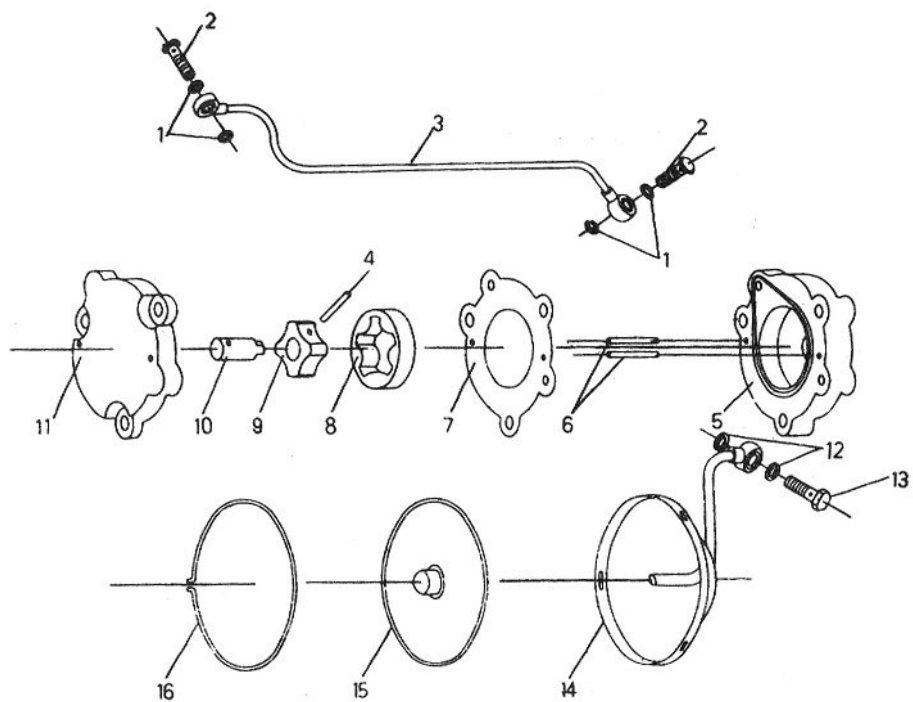


FIG.08 SISTEMA DE LUBRIFICAÇÃO

Ref.	Cod.Fab.	Cod.CCM	Descricao
01	CH-195-09001-1	3372970	VEDACAO P/PARAF.OCO 8
02	CH-195-09002	3372980	PARAFUSO OCO CONEXAO
03	CH-S1110-09100	3379730	TUBO OLEO ZS1115
04	CH-195-09201	3373010	PINO CILINDRICO
05	CH-S1110-09201	3379760	CORPO BOMBA OLEO ZS1115
06	CH-195-01013	3372060	PINO GUIA
07	CH-S1110-09202	3379770	CALCO BOMBA OLEO ZS1115
08	CH-S1110-09204	3379790	ROTOR SAIDA ZS1115
09	CH-S1110-09205	3379800	ROTOR ENTRADA ZS1115
10	CH-S1110-09206	3379810	EIXO BOMBA OLEO ZS1115
11	CH-S1110-09203	3379780	COBERTURA BBA.OLEO ZS1115
12	CH-195-01025	3372160	ARRUELA 8
14	CH-CS195-09310	3374160	CORPO FILTRO OLEO ZS1115
15	CH-CS195-09320	3374170	ELEMENTO FIL.OLEO ZS1115
16	CH-195-09301	3373080	ANEL RETEN.FIL.OLEO S1100A2/ZS1115

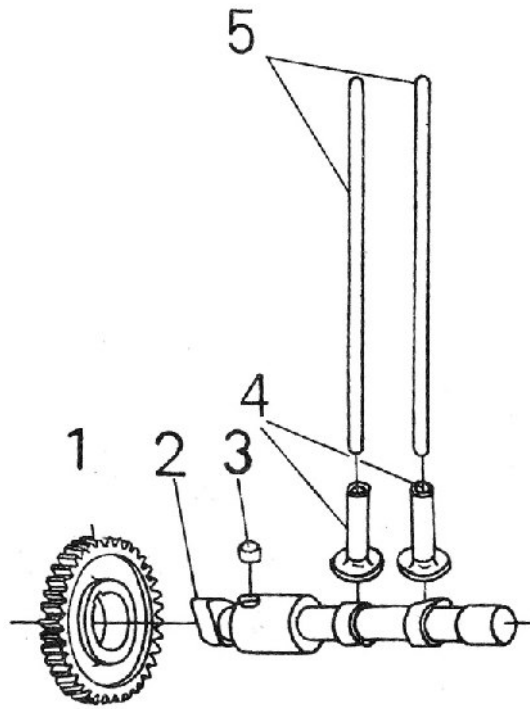


FIG.09 COMANDO DE VÁLVULA

Ref.	Cod.Fab.	Cod.CCM	Descricao
01	CH-195-02001	3372310	ENGRENAGEM COM.S1100A2/ZS1115/L24
02	CH-S1110-02001-1	3379500	COMANDO VALVULA ZS1115/L24
03	CH-GB/T1096-1016	3374400	CHAVETA 10X16
04	CH-195-02004	3372330	TUCHO VALVULA S1100A2/ZS1115/L24
05	CH-S1110-02002	3379510	HASTE VALVULA ZS1115/L24

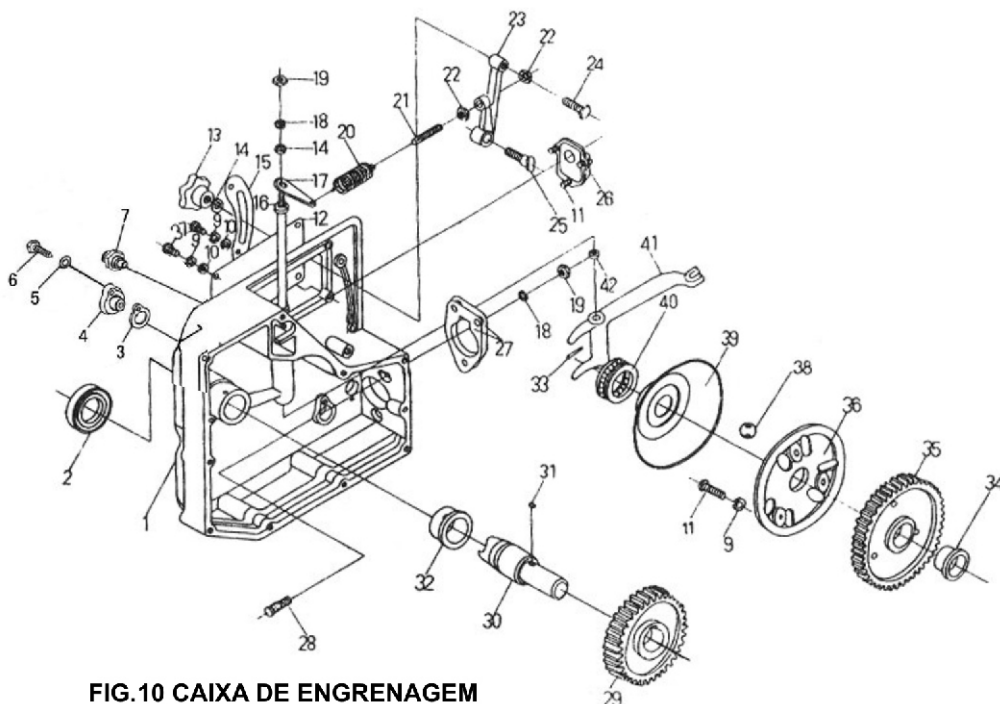


FIG. 10 CAIXA DE ENGRENAGEM

Ref.	Cod.Fab.	Cod.CCM	Descricao
01	CH-S1115-10001	3385040	CAIXA ENGRENAGEM ZS1115
02	CH-FB35X58X12D	3374250	RETENTOR MANIVELA 35X58X12D
03	CH-195-10404	3373370	FLANGE BBA.PRIMING
04	CH-195-10400-2	3373360	PRIMER COMBUSTIVEL
05	CH-GB/T93-06	3376480	ARRUELA PRES. 6
06	CH-GB/T67-0625	3375800	PARAFUSO M6X25
07	CH-195-10600	3373420	REGULADOR PRES.INJ. ZS1115/L24
08	CH-GB/T67-0625	3375800	PARAFUSO M6X25
09	CH-GB/T93-06	3376480	ARRUELA PRES. 6
10	CH-GB/T97.1-06140	3376600	ARRUELA LISA 6-140HV
11	CH-GB/T67-0618	3375790	PARAFUSO M6X18
12	CH-S1115-10002	3385050	PLACA IDENTIFICACAO Zs1115
13	CH-195-10200-1	3373330	MANOPLA BORBOLETA ACELERADOR
14	CH-GB/T97.1-08140	3376620	ARRUELA LISA 8-140HV
15	CH-1100A-10005	3363330	PAINEL INDIC.ACEL.S1100A2 ZS1115 L2
16	CH-195-10101	3373180	GARFO EIXO GOVER.S1100A2/ZS1115
17	CH-195-10102	3373190	ALAVANCA GOVER.S1100A2/ZS1115
18	CH-GB/T93-08	3376490	ARRUELA PRES. 8
19	CH-GB/T6170-08	3375560	PORCA M8
20	CH-1100A-10103	3363340	MOLA GOVERNADOR ZS1115 L24/28/32
21	CH-195-10104	3373210	PARAFUSO AJUSTE GOVER.
22	CH-GB/T6170-06	3375550	PORCA M6
23	CH-195-10105	3373220	ALAVANCA CONTR.ACEL.
24	CH-GB/T5782-0840Q	3375110	PARAFUSO M8X40-Q
25	CH-195-10106	3373230	PARAFUSO CONTR.ACEL.
26	CH-195-10500	3373410	RESPIRO CARCACA S1100A2/ZS1115
27	CH-195-10007	3373140	CALCO BBA.INJ.R190/S1100A2/ZS1115/L
28	CH-195-10008	3373150	PARAFUSO PRIS. BBA.INJ.S1100A2/ZS11
29	CH-195-10302	3373340	ENGRENAGEM MANIVELA
30	CH-195-10303-1	3373350	EIXO MANIVELA PARTIDA
31	CH-GB/T1096-0816	3374360	CHAVETA 8X16
32	CH-195-10010	3373160	BUCHA EIXO MANV.S1100A2/ZS1115/L24/
33	CH-195-10112	3373280	PINO CONICO EIXO GOVERN ZS1115
34	CH-195-10107	3373240	BUCHA ENGR.GOVERN.
35	CH-195-10108	3373250	ENGRENAGEM GOVERNADOR
36	CH-195-10109	3373260	DISCO GUIA ESF.GOVER.
37	CH-GB/T67-0612	3375770	PARAFUSO M6X12
38	CH-GB/T308-16	3374960	ESFERA GOVERNADOR D16
39	CH-195-10120	3373300	DISCO ESFERA GOVER. S1100A2/ZS1115
40	CH-GB/T301-51106	3374900	ROLAMENTO ENCOSTO GOVRN.
41	CH-1105-10111-1	3363610	GARFO ALAVANCA GOVER.ZS1115
42	CH-195-10113	3373290	BUCHA AJUSTE

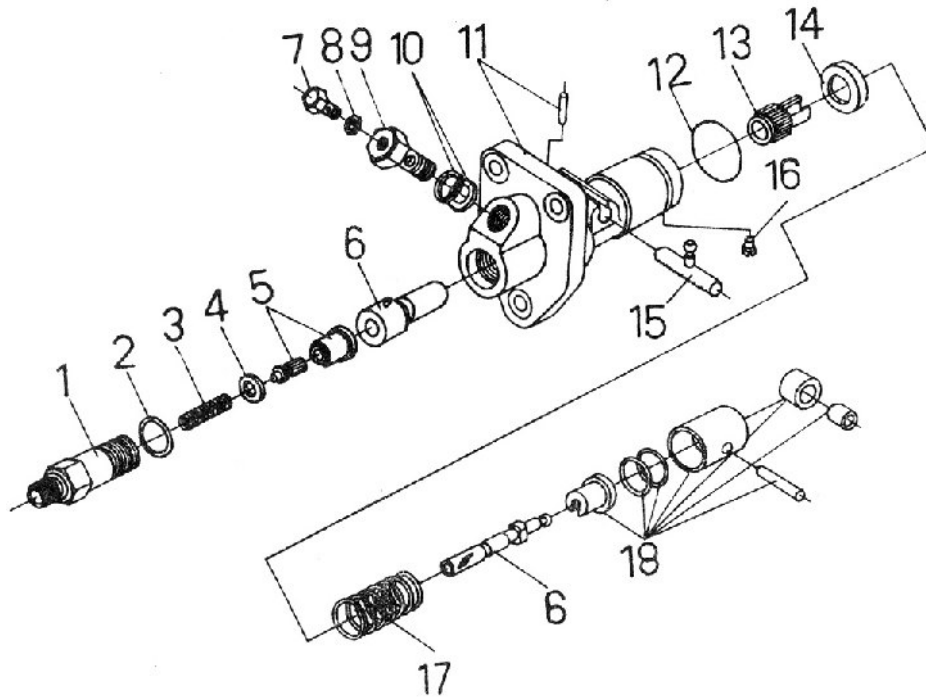


FIG.11 BOMBA DE COMBUSTÍVEL

Ref.	Cod.Fab.	Cod.CCM	Descricao
01	CH-BA19-0001	3373880	CONEXAO SAIDA BBA.INJ. ZS1115
02	CH-BA62-0005	3373930	ANEL O BBA.INJ.ZS1115
03	CH-BA62-0003	3373910	MOLA SAIDA BBA.INJ.ZS1115
04	CH-BA62-0004	3373920	ARRUELA ENCST. MOLA BBA.INJ.ZS1115
05	CH-FA5-00	3374220	CONEXAO VALVULA ZS1115
06	CH-ZSA-00	3385430	ELEMENTO BBA.INJ.ZS1115/L24/28/32
07	CH-BA11-0002	3373760	PARAFUSO OCO BBA.INJ.ZS1115
08	CH-BA11-0003	3373770	VEDACAO 10X6.5X1 ZS1115
09	CH-BA11-0004	3373780	PARAFUSO OCO BBA.INJ.ZS1115
10	CH-BA11-0005	3373790	VEDACAO 24X13X1 ZS1115
11	CH-BA19-01	3373890	CORPO BOMBA INJ.ZS1115
12	CH-BA11-0011	3373810	TRAVA BBA.INJ. ZS1115
13	CH-BA17-0001	3373860	CORPO ACELERADOR BBA.INJ. ZS1115
14	CH-BA11-0C13	3373850	RETENTOR MOLA SUPERIOR ZS1115
15	CH-BA11-02	3373840	CORREDICA ACELERADOR ZS1115
16	CH-BA11-0010	3373800	PINO GUIA BBA.INJ. ZS1115
17	CH-BA11-0012	3373820	MOLA ACELERADOR BBA.INJ. ZS1115
18	CH-BA19-02	3373900	TUCHO ACION.BBA.INJ.ZS1115

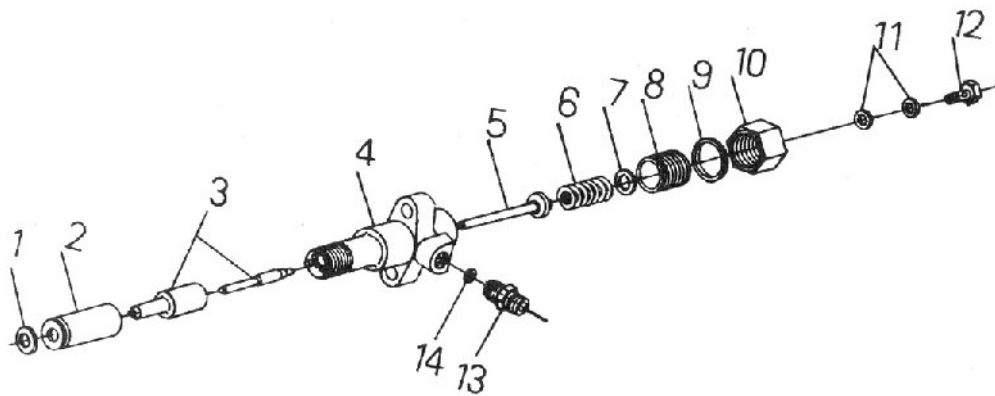


FIG.12 INJETOR DE COMBUSTÍVEL

Ref.	Cod.Fab.	Cod.CCM	Descricao
01	CH-J19-7	3376800	VEDACAO BICO INJ. ZS1115/L24/28/32
02	CH-J19-5	3376790	CAPA BICO INJ. ZS1115/L24/28/32
03	CH-Z15B-154S432	3385380	ELEMENTO BICO ZS1115/L24(ZCK154S432
04	CH-J19.2	3376690	CORPO BICO INJ. ZS1115/L24/28/32
05	CH-J19-1	3376700	PARAFUSO CONEC.RET.ZS1115/L24/28/32
06	CH-J19-4	3376780	MOLA BICO INJ. ZS1115/L24/28/32
07	CH-J19-10	3376710	SEDE RET.BICO INJ. ZS1115/L24/28/32
08	CH-J19-3	3376770	REGULADOR PRES.INJ.ZS1115/L24/28/32
09	CH-J19-15	3376750	VEDACAO RET.INJ. ZS1115/L24/28/32
10	CH-J19-2	3376760	PORCA FIX.BICO INJ.ZS1115/L24/28/32
11	CH-J19-13	3376740	VEDACAO RET.ZS1115/L24/28/32
12	CH-J19-1	3376700	PARAFUSO CONEC.RET.ZS1115/L24/28/32
13	CH-J19-11	3376720	CONECTOR TUBO ADMIS.BICO
14	CH-J19-12	3376730	VEDACAO CONECTOR ZS1115/L24/28/32

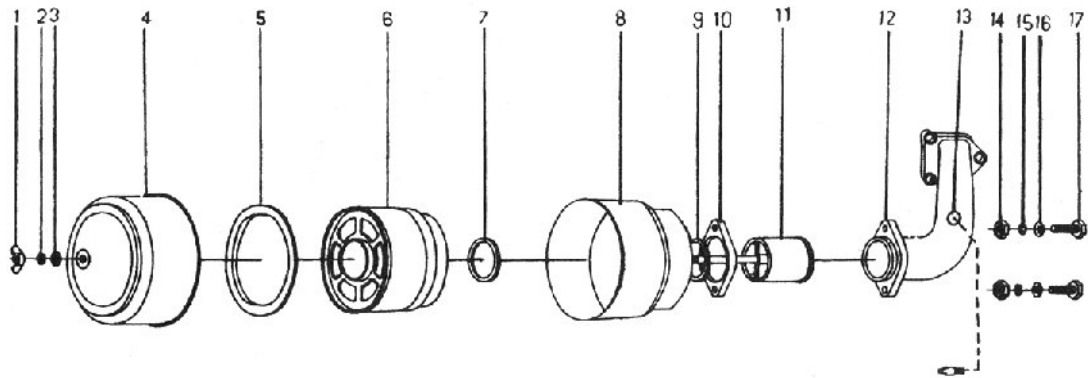


FIG.13 FILTRO

Ref.	Cod.Fab.	Cod.CCM	Descricao
01	CH-GB/T62-08	3375670	PORCA BORBOLETA M8
02	CH-GB/T859-08	3376000	ARRUELA PRES. 8
03	CH-GB/T96-08	3376560	ARRUELA LISA 8
04	CH-ZZ06A-0001	3385440	CAPA FILTRO AR ZS1115
05	CH-ZZ06A-0002	3385450	ANEL VED.CAPA FIL.AR ZS1115
06	CH-ZZ06A-1000	3363190	ELEMENTO FILTRO AR ZS1115L24
07	CH-ZZ06A-0003	3385460	ANEL VEDACAO ELEM.FIL.AR ZS1115
08	CH-ZZ06A-2000	3385490	BASE FILTRO AR ZS1115
09	CH-ZZ06A-0004	3385470	ANEL VEDACAO FILTRO AR ZS1115
10	CH-ZZ06A-0005	3385480	FLANGE FIX.FILTRO AR ZS1115
11	CH-ZZ06A-3000	3385500	TUBO INTERNO FILTRO AR ZS1115
12	CH-S1110-11001	3379820	COLETOR ADMISSAO ZS1115/L24
13	CH-195-11001-1	3373440	GRAMPO COLETOR ADM ZS1115
14	CH-GB/T6170-08	3375560	PORCA M8
15	CH-GB/T93-08	3376490	ARRUELA PRES. 8
16	CH-GB/T97.1-08140	3376620	ARRUELA LISA 8-140HV
17	CH-GB/T5783-0835	3375390	PARAFUSO M8X35

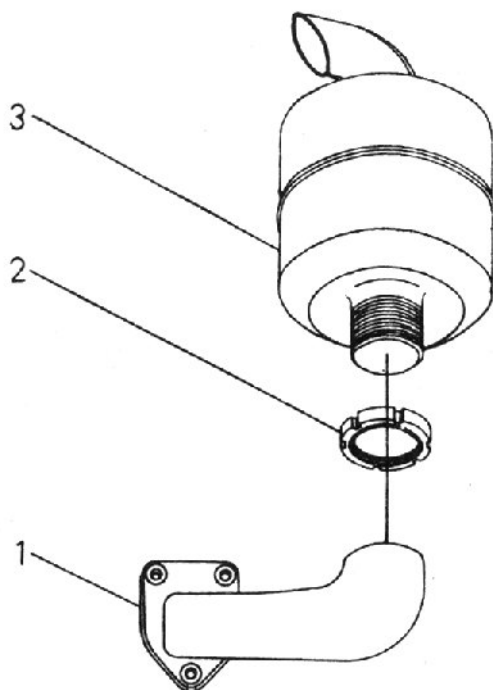


FIG.14 SISTEMA DE EXAUSTÃO

Ref.	Cod.Fab.	Cod.CCM	Descricao
01	CH-S1110-08002	3362920	COLETOR ESCAPE ZS1115NM
02	CH-S1110-08001	3379710	PORCA TRAVA SILENC. ZS1115/L24
03	CH-S1110-08100	3379720	SILENCIOSO ZS1115/L24

COMPLEMENTO

Ref.	Cod.Fab.	Cod.CCM	Descricao
01	CH-1110M1-01020	3363660	TAMPA SUPORTE M.ARRANQ.ZS115NM
02	CH-1110M-01040	3363650	JUNTA CALSO MOT.PART. ZS1115NM/L24M
03	CH-QD137A	3378070	MOTOR PARTIDA ZS1115NM
04	CH-S1115NM-05003	3385080	VOLANTE ZS1115NM
05	CH-1100ANM-05019	3363210	CREMALHEIRA VOL.P/E S1100A2NM/24/28
06	CH-JK424	3376860	CHAVE PARTIDA SQD192NM
11	CH-195N-06001	3373600	BASE RADIADOR S1100A2NM
13	CH-195N-06006	3373610	POLIA TENCIONADOR CORR.VENTILD.
14	CH-195N-06007	3373620	SUPORTE TANQUE A
17	CH-195N-06011	3373630	JUNTA VED. RADIADOR/COLETOR
20	CH-195N-06028	3373650	VEDACAO ROLAM.ESTIC.S1100A2NM
21	CH-195N-06029	3373660	ARRUELA ENCST.ROL.EST.S1100A2NM
30	CH-S1115-01001	3363040	CAMISA CILINDRO ZS1115NM
31	CH-S1115-01002	3379920	CARTER ZS1115
32	CH-S1115-01003	3363050	JUNTA CABECOTE ZS1115NM
33	CH-S1115-01101	3379930	BLOCO CILINDRO ZS1115
34	CH-S1115-04004	3363070	PINO PISTAO ZS1115NM
35	CH-S1115-04003	3363060	PISTAO ZS1115NM
36	CH-S1115-04001	3379940	ANEL SEGM. NR1 ZS1115/L24
37	CH-S1115-04002	3379950	ANEL SEGM. NR2/NR3 ZS1115/L24
38	CH-S1115-04100	3379960	ANEL SEGM.OLEO ZS1115/24
39	CH-S1115-04202	3379970	BIELA SUP.ZS1115
40	CH-S1115-04205	3379980	BIELA INFERIOR ZS1115
41	CH-S1115-05001	3379990	POLIA CORREIA 150X4B
42	CH-S1115-05003	3385000	VOLANTE S/PARTIDA ZS1115
43	CH-S1115-05006	3385010	EIXO BALANCIM INFERIOR ZS1115
44	CH-S1115-05009	3385020	VIRABREQUIM ZS1115
45	CH-S1115-05010	3385030	EIXO BALANCIM SUPERIOR ZS1115
46	CH-S1115-10001	3385040	CAIXA ENGRENAGEM ZS1115
47	CH-S1115-13001	3385060	BASE MOTOR ZS1115