

INTER PUMP

O MAIOR FABRICANTE MUNDIAL DE BOMBAS A PISTÃO

**BOMBA
W921**

EXPLODIDO

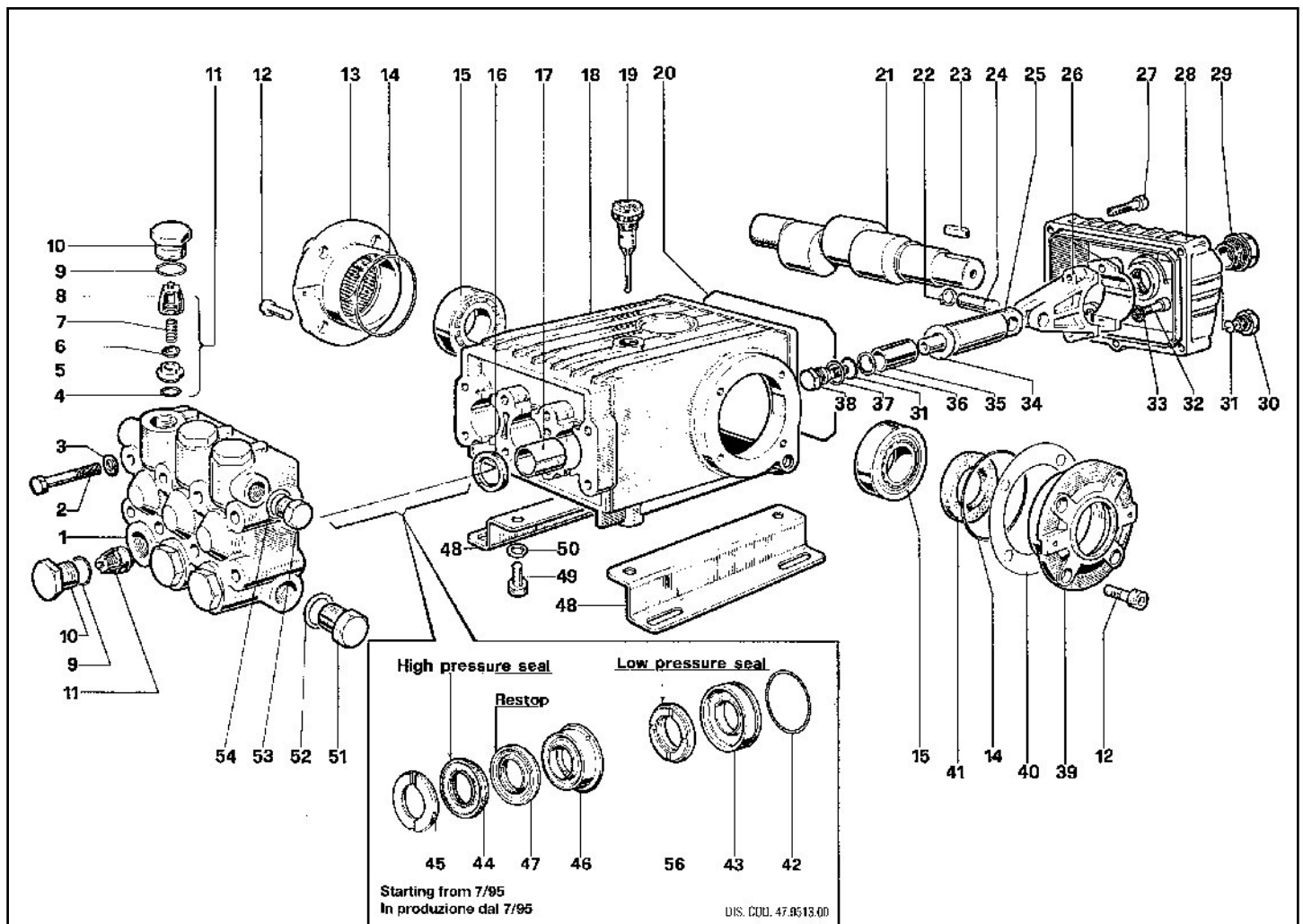


FIG.01 BOMBA

Ref.	Cod.Fab.	Cod.CCM	Descriçao	Ref.	Cod.Fab.	Cod.CCM	Descriçao
01	47-1202-41	3164860	CABECOTE BOMBA W916/921 NIKEL	28	47-1601-22	3164900	TAMPA CARTER W921
02	99-3206-00	3166830	PARAFUSO M8x70	29	97-5968-00	3162050	BUJAO NIVEL OLEO SX-117/X230
03	96-7020-00	3165960	ARRUELA M8,4x15x15	30	98-2041-00	3162120	BUJAO 1/4x9 TX951
04	90-3841-00	3165080	ANEL O 17,13x2,62	31	90-3585-00	3161400	ANEL O 10,82x1,78
05	36-2003-66	3168490	SEDE VALVULA	32	99-3099-00	3166790	PARAFUSO M8x35
06	36-2001-76	3168500	VALVULA	33	96-7014-00	3164680	ARRUELA PRESSAO 8,4x13x0,8
07	94-7376-00	3168510	MOLA 9,4X14,8	34	96-7286-00	3166000	ARRUELA 14x28x05
08	36-2002-51	3168520	GUIA VALVULA	35	47-0404-09	3164820	PISTAO CER. 20X14X50 W916/921/WS135
09	90-3847-00	3161560	ANEL O 20,42x2,62	36	90-5067-00	3165450	ANEL ANTI-EXTRUSAO 11X14X1,4
10	98-2222-00	3169390	BUJAO M24X2X16	37	96-7280-00	3165990	ARRUELA 14X18,5X5
11	36-7032-01	3160800	VALVULA SX117-X230	38	47-2195-66	3168900	PARAFUSO
12	99-3039-00	3166780	PARAFUSO M8x16	39	47-1500-22	3164870	TAMPA LATERAL CARTER
13	47-1501-22	3164880	TAMPA LATERAL CARTER W921	40	97-5678-00	3166520	ESPAÇADOR 74,5x5x10
14	90-3913-00	3165380	ANEL O 67,35x2,62	41	90-1648-00	3165180	RETENTOR 30X55X7 EIXO 921/916
15	91-8377-00	3165590	ROLAMENTO 7506 C/ROLETE	42	90-3616-00	3165350	ANEL O 34,65x1,78
16	90-1625-00	3168870	RETENTOR 22X32X5,5 EMBOLO 921/916	43	47-0805-70	3168970	ANEL
17	90-9126-00	3165510	BUCHA 22x25x30	44	90-2705-00	3165170	ANEL RETOP 20 MM
18	47-0102-22	3164780	CARCACA BOMBA W921	45	47-1000-51	3165160	ANEL EXPANSOR 20 MM
19	98-2106-00	3166550	TAMPA OLEO C/VARETA P/TX-961	46	47-2169-70	3168980	ANEL INTERMEDIARIO
20	90-3922-00	3169220	ANEL O 133,02X2,62	47	90-2704-00	3168990	ANEL
21	47-0204-35	3169290	VIRABREQUIM	48	47-2000-74	3164910	SUPORTE BOMBA
21a	47-0215-35	3164800	VIRABREQUIM W921/TF/INDY	49	99-3644-00	3166840	PARAFUSO M10x18
22	90-0557-00	3165100	TRAVA SEGURANCA	50	96-7106-00	3165980	ARRUELA PRESSAO M10
23	91-4878-00	3165520	CHAVETA VIRABREQUIM 8x7x2,5	51	98-2176-00	3162160	BUJAO 1/2x10 TX951
24	97-7380-00	3166530	PINO BIELA 13x35,5	52	96-7514-00	3162020	ARRUELA VED.21,5x27x1,5 TX951
25	47-0503-56	3164830	GUIA DO PISTAO W-916/921	53	98-2100-00	3162140	BUJAO 3/8x13 SX119-X230-TX951
26	47-0300-01	3164810	BIELA W921/TF/INDY	54	96-7380-00	3162010	ARRUELA VEDACAO 17,5x2,3x1,5
27	99-1912-00	3166750	PARAFUSO M6x30	56	90-2710-00	3169000	ANEL

KITS

Kit Nr.	Composição de Itens	Cod.CCM	Descricao
01	4-5-6-7-8-11	3162780	KIT VALVULA ASPIR.
02	16	3166850	KIT RETENTOR
05	9-10	3166870	KIT BUJAO
06	31-34-36-37-38	3166880	KIT FIXADOR PISTAO
28	42-43-44-45-46-47-56	3166930	KIT ACENTO GAXETA
69	44-47-56	3169260	KIT GAXETA