

INTER PUMP

O MAIOR FABRICANTE MUNDIAL DE BOMBAS A PISTÃO

BOMBA

W960 / W961 / W962

EXPLODIDO

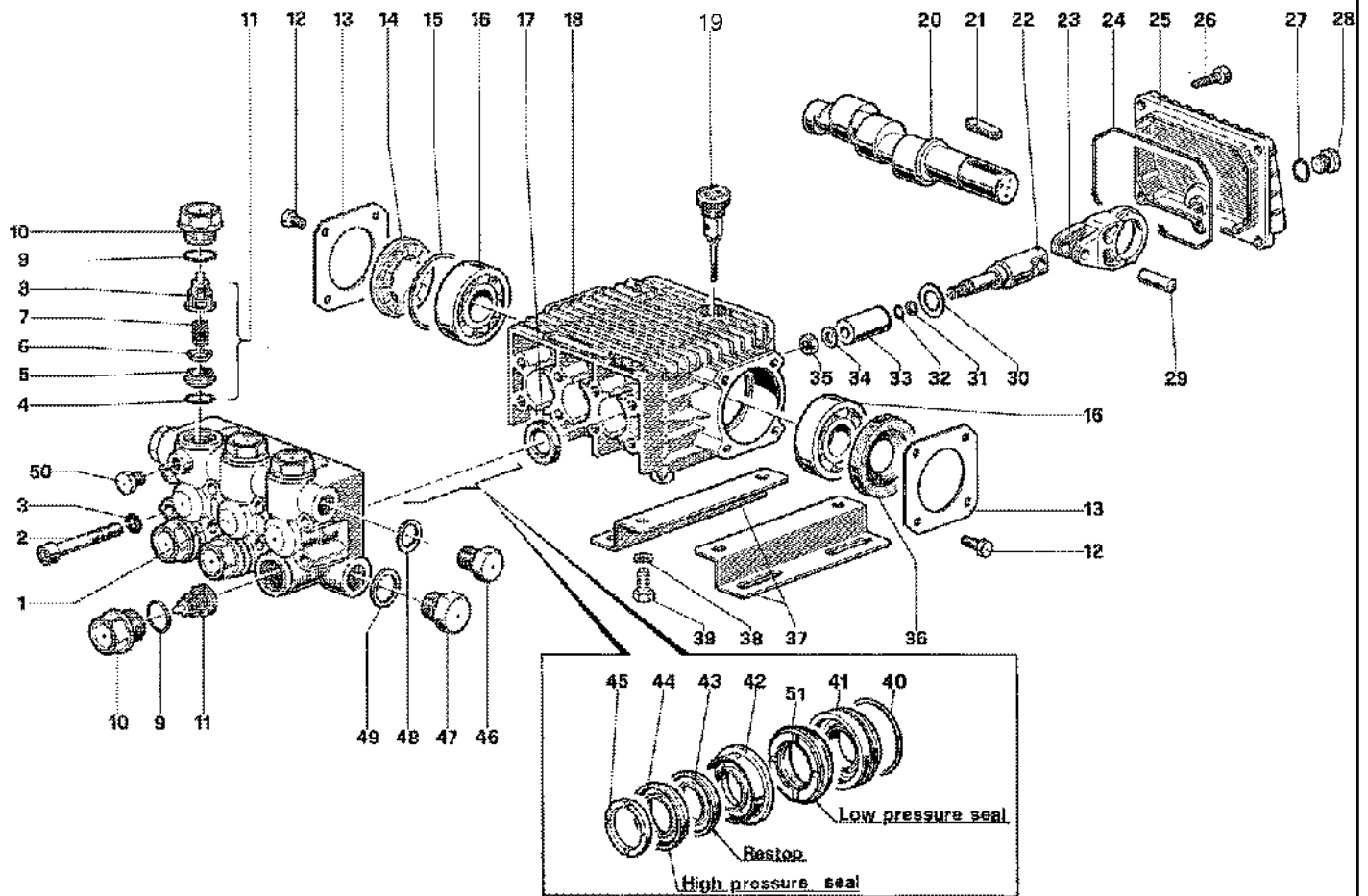


FIG.01 BOMBA

Ref.	Cod.Fab.	Cod.CCM	Descricao	Ref.	Cod.Fab.	Cod.CCM	Descricao
01	44-1200-41	3169160	CABEC.BOMBA 15MM. W-130/150/951.WW-	28	98-2041-00	3162120	BUJAO 1/4x9 TX951
01a	44-1204-41	3169170	CABECOTE BOMBA 18MM. W-140/955	29	97-7340-00	3162100	PINO BIELA 13x29,5 TX951
02	99-3175-00	3165730	PARAFUSO M8x60 UNI 5931 8.8 ZI	30	96-7350-00	3162000	ARRUELA 16x28x1 TX951
03	96-7014-00	3164680	ARRUELA PRESSAO 8,4x13x0,8	31	90-5022-00	3161700	ANEL ANTI-EXTRUSAO 6,2X9X1,5
04	90-3841-00	3165080	ANEL O 17,13x2,62	32	90-3572-00	3161370	ANEL O 5,28x1,78
05	36-2003-66	3168490	SEDE VALVULA	33	52-0400-09	3161050	PISTAO CER. 15X9X37,5 951/961/130/1
06	36-2001-76	3168500	VALVULA	33a	44-0401-09	3164370	PISTAO CER. 18X9X37,5 W140/955
07	94-7376-00	3168510	MOLA 9,4X14,8	34	44-2115-70	3166480	ARRUELA ESPACADOR C/COLAR
08	36-2025-51	3168650	GUIA VALVULA	35	92-2216-00	3161760	PORCA EMBOLO 8x13x5 INOX
09	90-3847-00	3161560	ANEL O 20,42x2,62	36	90-1641-00	3161300	RETENTOR 25X62X10 TX951
10	98-2226-00	3169380	BUJAO M24 X 1,5 X 17	37	50-2000-74	3169210	BASE KIT BOMBA
11	36-7115-01	3160810	VALVULA COMPLETA TX951	38	96-7016-00	3166410	ARRUELA 8,4 ZINC PRESS
12	99-1807-00	3169230	PARAFUSO M-6X10	39	99-3037-00	3169250	PARAFUSO M8X16
13	50-1500-74	3169200	SUPORTE VISOR OLEO	40	90-3612-00	3164670	ANEL O 31,47x1,78
14	44-2118-01	3160960	TAMPA VISOR OLEO TX961	41	44-0800-70	3168660	ANEL
15	90-4097-00	3161670	ANEL O 55,56x3,53	41a	44-0801-70	3168670	ANEL
16	91-8328-00	3163080	ROLAMENTO 6305	42	52-2166-70	3168680	ANEL INTERMEDIARIO
17	90-1614-00	3161270	RETENTOR 20X30X5 EMBOLO TX951	42a	44-2161-70	3168690	ANEL INTERMEDIARIO
18	44-0100-22	3164350	CARCACA BOMBA TX951	43	90-2622-00	3168800	ANEL
19	98-2103-00	3162150	TAMPA OLEO C/VARETA TX951	43a	90-2683-00	3168810	ANEL
20	44-0200-35	3164360	VIRABREQUIM TX961	44	90-2620-00	3168540	ANEL
20a	44-0203-35	3169150	VIRABREQUIM W 150	44a	90-2682-00	3168820	ANEL
20b	44-0206-35	3160920	VIRABREQUIM ECC C.13 TX951	45	51-1000-51	3168530	ANEL
21	91-4892-00	3161730	CHAVETA 8h 9x7x3,5 tx951	46	98-2100-00	3162140	BUJAO 3/8x13 SX119-X230-TX951
22	44-0500-66	3160940	GUIA PISTAO W-130/140/150/951/955(W	47	98-2176-00	3162160	BUJAO 1/2x10 TX951
23	44-0300-22	3160930	BIELA TX	48	96-7380-00	3162010	ARRUELA VEDACAO 17,5x2,3x1,5
24	90-3920-00	3161650	ANEL O 101,27x2,62	49	96-7514-00	3162020	ARRUELA VED.21,5x27x1,5 TX951
25	44-1600-22	3160950	TAMPA CARTER TX951	50	98-1966-00	3162110	BUJAO 1/8x8 ott
26	99-1837-00	3169240	PARAFUSO M-6X14	51	90-2617-00	3168830	ANEL
27	90-3585-00	3161400	ANEL O 10,82x1,78	51a	90-2684-00	3168840	ANEL

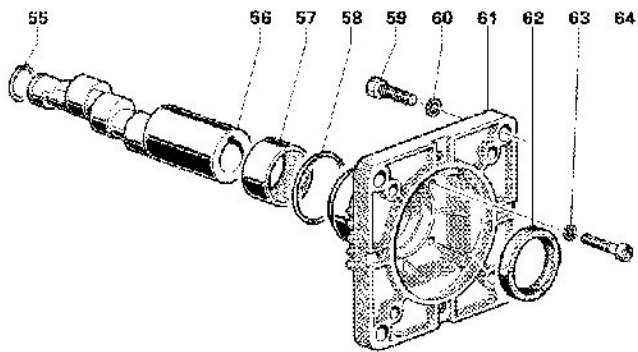


FIG.02 FLANGE A

Ref.	Cod.Fab.	Cod.CCM	Descricao
55	90-0635-00	3168590	ANEL
56	44-0214-65	3168300	VIRABREQUIM
56a	44-0216-65	3168310	VIRABREQUIM
57	91-8568-00	3169110	ROLAMENTO DE ROLO DHK4520
58	90-4097-00	3161670	ANEL O 55,56x3,53
60	96-7195-00	3167780	ARRUELA 13X18X1,1 ZINC
62	90-1690-00	3169100	RETENTOR 45X62X8 EIXO FLANGEADO FOR
63	96-6938-00	3166420	ARRUELA 6,4X10X0,7
64	99-1912-00	3166750	PARAFUSO M6x30

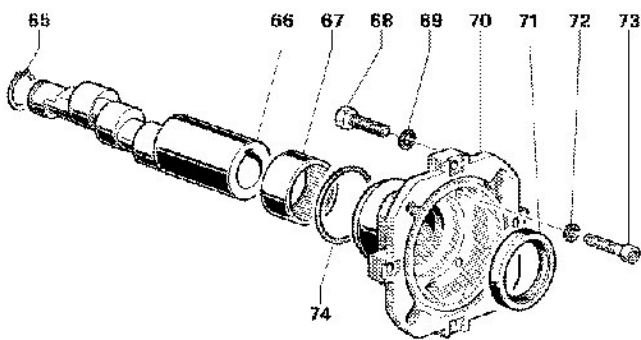


FIG.03 FLANGE B

Ref.	Cod.Fab.	Cod.CCM	Descricao
65	90-0635-00	3168590	ANEL
66	44-0215-65	3169120	VIRABREQUIM W 130 EIXO OCO
66a	44-0210-65	3168320	VIRABREQUIM
67	91-8568-00	3169110	ROLAMENTO DE ROLO DHK4520
68	99-3067-00	3162200	PARAFUSO EIXO M8x25 SX119
69	96-7014-00	3164680	ARRUELA PRESSAO 8,4x13x0,8
70	10-0494-22	3169140	FLANGE ACOPLAMENTO B-34
71	90-1690-00	3169100	RETENTOR 45X62X8 EIXO FLANGEADO FOR
72	96-6938-00	3166420	ARRUELA 6,4X10X0,7
73	99-1912-00	3166750	PARAFUSO M6x30
74	90-4097-00	3161670	ANEL O 55,56x3,53

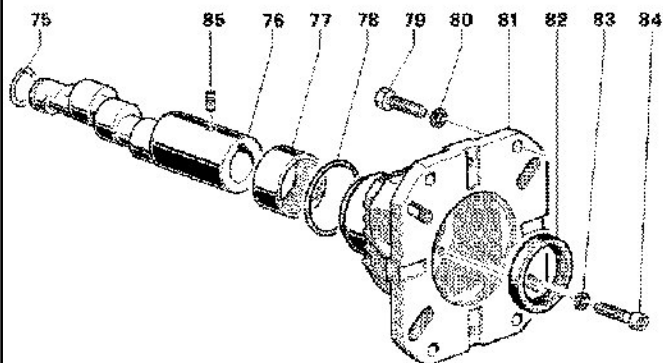


FIG.04 FLANGE C

Ref.	Cod.Fab.	Cod.CCM	Descricao
75	90-0635-00	3168590	ANEL
76	44-0220-65	3168330	VIRABREQUIM
76a	44-0209-65	3168340	VIRABREQUIM
76b	44-0212-65	3168350	VIRABREQUIM
77	91-8568-00	3169110	ROLAMENTO DE ROLO DHK4520
78	90-4097-00	3161670	ANEL O 55,56x3,53
79	99-2755-00	3168850	PARAFUSO 5/16X1
79a	99-3345-00	3167990	PARAFUSO SEXT 3/8 X 16 ZINC
80	96-7020-00	3165960	ARRUELA M8,4x15x15
80a	96-7104-00	3167770	ARRUELA 10,5X16X1,0 ZINC
81	10-0518-22	3168860	FLANGE
82	90-1690-00	3169100	RETENTOR 45X62X8 EIXO FLANGEADO FOR
83	96-6938-00	3166420	ARRUELA 6,4X10X0,7
84	99-1912-00	3166750	PARAFUSO M6x30

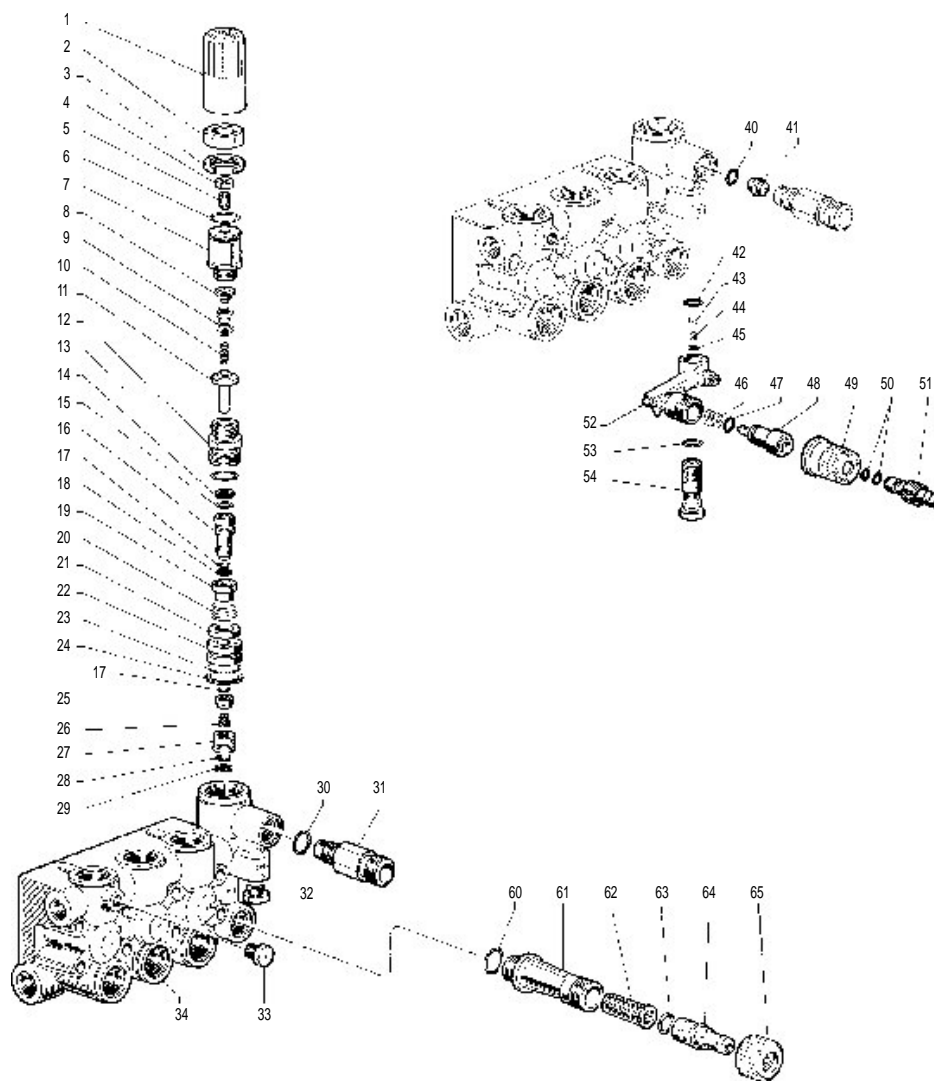


FIG.05 BOMBA VERSAO VH

Ref.	Cod.Fab.	Cod.CCM	Descricao	Ref.	Cod.Fab.	Cod.CCM	Descricao
01	36-3187-51	3160700	MANOPLA REGUL.PRESSAO SX117-X230 AN	28	90-3822-00	3161480	ANEL O 9,92x2,62
02	36-3186-70	3160690	PORCA REG PRESSAO TX951	29	90-5065-00	3165430	ANEL
03	92-2935-00	3161790	CONTRA PORCA M2x8x1,5	30	90-3832-00	3161520	ANEL O 13,95x2,62 SPEC
04	92-2218-00	3161770	PORCA 8x1,25x5x13TX951	31	10-0147-70	3160070	CONECTOR M22x1.5 SX117-X230-TX
05	99-3054-00	3162190	PARAFUSO S/CABECA 8x20 TX951	33	98-1966-00	3162110	BUJAO 1/8x8 ott
06	90-3598-00	3161420	ANEL O 20,25x1,78	34	44-1201-41	3164700	CABECOTE BOMBA TX
07	36-3185-70	3160680	CORPO VALVULA REG.PRES.TX	40	90-3822-00	3161480	ANEL O 9,92x2,62
08	36-3169-70	3160660	ASSENTO MOLA SX119-X230-TX951	41	10-0076-66	3160050	GICLEUR (#2,2)TX
09	94-7436-00	3161950	MOLA 15X35 SX117-X230-TX951	42	90-3582-00	3163370	ANEL O 9,25x1,78
10	94-7345-00	3161930	MOLA 7,6x29	43	94-8217-00	3163420	MOLA CONICA D.4,3x7,3,3x11
11	36-3233-70	3160790	PINO GUIA TX	44	97-4782-00	3163430	ESFERA 7/32 INOX
12	36-3228-70	3160780	CORPO REGULADOR TX951	45	90-3572-00	3161370	ANEL O 5,28x1,78
13	90-3857-00	3161570	ANEL O 23,81x2,62	47	90-3580-00	3163360	ANEL O 8,73X1,78
14	90-5052-00	3165420	ANEL ANTI-EXTRUSAO 9,5X14X1,5	48	36-2564-70	3164060	EMBOLO REGULAGEM
15	90-3820-00	3161470	ANEL O 9,13 X 2,62	49	36-2565-51	3164070	BOTAO REGULADOR DETERGENTE
17	90-3575-00	3180430	ANEL O D.6,75XL,78 (106)	50	90-3570-00	3161360	ANEL O 4,42x1,78 TX
18	90-5025-00	3165410	ANEL	52	36-3181-51	3164100	CORPO DOSADOR
20	94-7485-00	3180440	MOLA DM 18,5X11.5 (304)	53	90-3585-00	3161400	ANEL O 10,82x1,78
21	36-3231-51	3180410	VALVULA RETENCAO	54	36-2563-70	3160600	SEDE VALVULA TX951
22	36-3229-70	3166320	BUCHA BYPASS	60	90-3841-00	3165080	ANEL O 17,13x2,62
23	90-3600-00	3165310	ANEL O	61	36-3182-51	3160670	CONEXAO ENTRADA 3/4 SX117-X230-T
24	90-5144-00	3165490	ANEL	62	92-8925-00	3161800	FILTRO TELA ENTR. 12x3,5 TX951
25	36-3190-66	3164140	VALVULA	63	90-3828-00	3161500	ANEL O 2,37x2,62
26	99-1509-00	3180450	PARAFUSO M5X7,5 INOX	64	36-2569-51	3160610	ENGATE RAPIDO ENTRADA
27	36-3164-66	3180400	CORPO VALVULA	65	92-9828-00	3161830	PORCA SINTEX G3/4

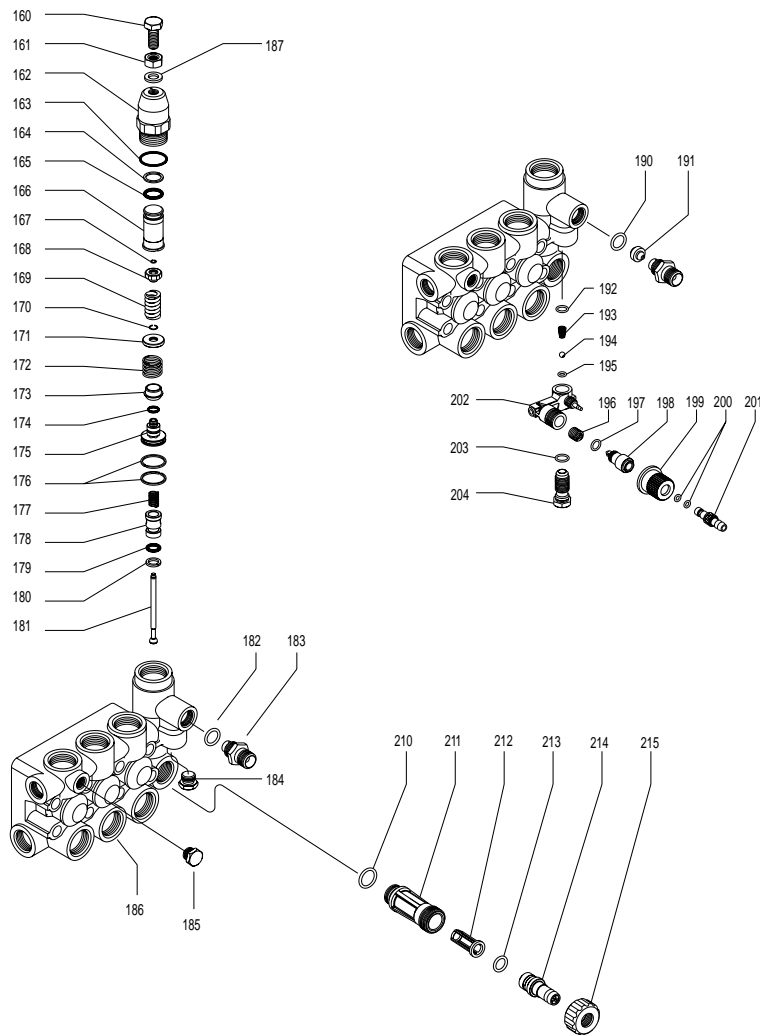


FIG.06 BOMBA VERSAO VK

Ref.	Cod.Fab.	Cod.CCM	Descricao
163	90-3604-00	3168560	ANEL 25,12 X 1,78
164	90-5090-00	3161710	ANEL ANTI-EXTRUSAO 15,8X20X2,0
165	90-3835-00	3161540	ANEL O 15,08x2,62
167	90-3580-00	3163360	ANEL O 8,73x1,78
174	90-3581-00	3161390	ANEL O 8,73x1,78
179	90-3823-00	3170130	ANEL 9,92X2,62 SPEC.
180	90-5065-00	3165430	ANEL
182	90-3832-00	3161520	ANEL O 13,95x2,62 SPEC
183	10-0147-70	3160070	CONECTOR M22x1.5 SX117-X230-TX
185	98-2041-00	3162120	BUJAO 1/4x9 TX951
190	90-3822-00	3161480	ANEL O 9,92x2,62
191	10-0076-66	3160050	GICLEUR (#2,2)TX
192	90-3582-00	3163370	ANEL O 9,25x1,78
193	94-8217-00	3163420	MOLA CONICA D.4,3x7,3,3x11
194	97-4782-00	3163430	ESFERA 7/32 INOX
195	90-3572-00	3161370	ANEL O 5,28x1,78
198	36-2564-70	3164060	EMBOLO REGULAGEM
199	36-2565-51	3164070	BOTAO REGULADOR DETERGENTE
200	90-3570-00	3161360	ANEL O 4,42x1,78 TX
202	36-3181-51	3164100	CORPO DOSADOR
203	90-3585-00	3161400	ANEL O 10,82x1,78
204	36-2563-70	3160600	SEDE VALVULA TX951
210	90-3841-00	3165080	ANEL O 17,13x2,62
211	36-3182-51	3160670	CONEXAO ENTRADA 3/4 SX117-X230-T
212	92-8925-00	3161800	FILTRO TELA ENTR.12x3,5 TX951
213	90-3828-00	3161500	ANEL O 2,37x2,62
214	36-2569-51	3160610	ENGATE RAPIDO ENTRADA
215	92-9828-00	3161830	PORCA SINTEX G3/4

KITS

Kit Nr.	Composição de Itens	Cod.CCM	Descricao
23	17	3162210	KIT RETENTOR EMBOLO
88	43-44-51	3162240	KIT GAXETA-951/61/62 P-15MM
89	42	3162250	KIT ACENTO GAXETA
90	45	3162260	KIT GAXETA
123	4-5-6-7-8-11	3162330	KIT VALVULAS
124	9-10	3162340	KIT TAMPAO
125	40-41	3162350	KIT ACENTO GAXETA
127	43-44-51	3168080	KIT GAXETA-955 PISTÃO 18MM
130	40-41-42-43-44-45-51	3162360	KIT GAXETA COMPLETO
131	40-41-42-43-44-45-51	3166330	KIT GAXETA