

BOMBA



KWSH - S120

EXPLODIDO

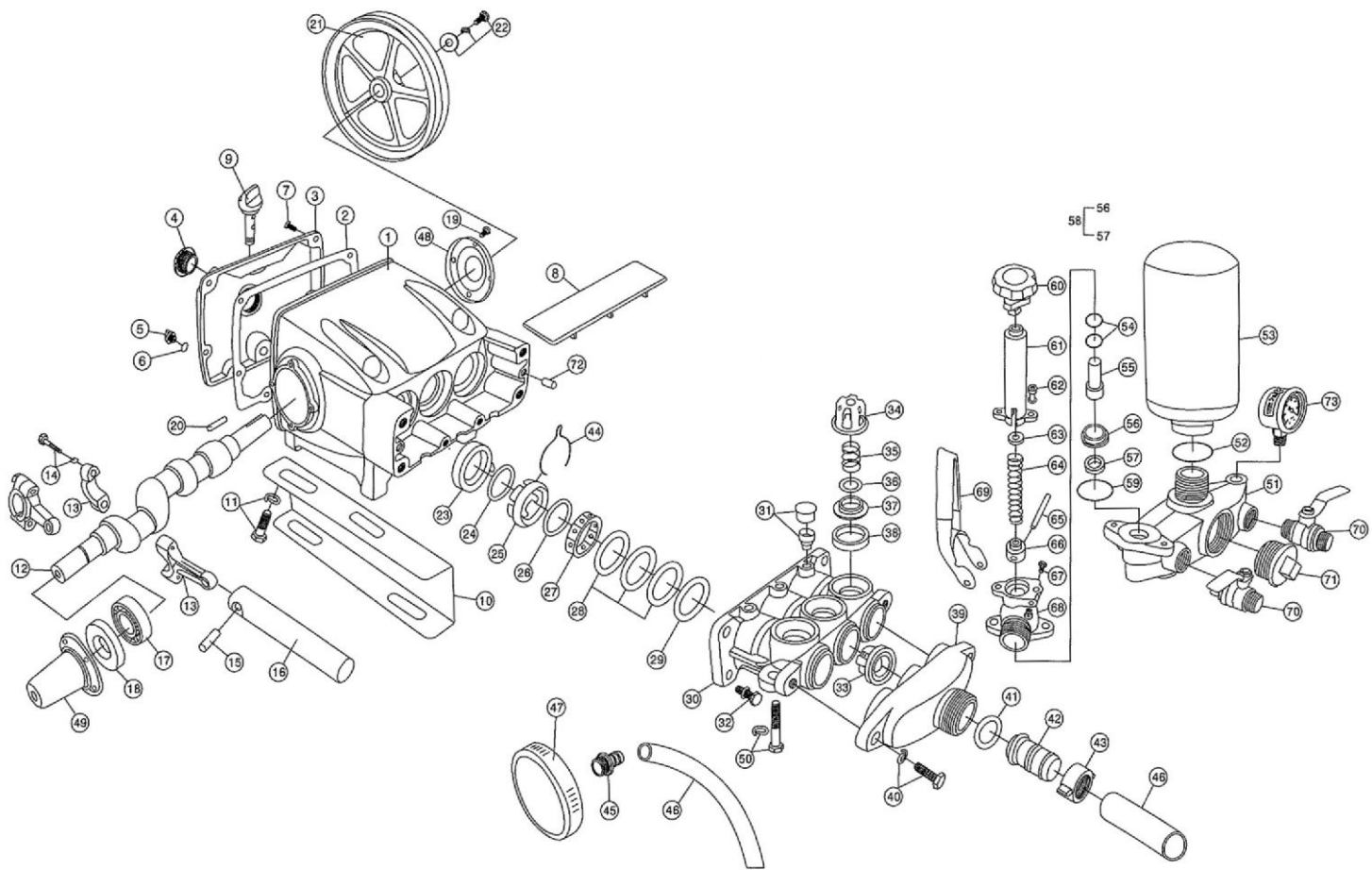


FIG.01 BOMBA

Ref.	Cod.Fab.	Cod.CCM	Descricao	Ref.	Cod.Fab.	Cod.CCM	Descricao
01	KWSH-S120001	3382500	CARCACA VIRABREQUIM S120	48	KWSH-S120048	3382910	PROTECAO LADO POLIA S120
02	KWSH-S120002	3382510	JUNTA TAMPA CARCACA S120	49	KWSH-S120049	3382920	PROTECAO EIXO S120
03	KWSH-S120003	3382520	TAMPA CARCACA TRAZ. S120	50	KWSH-S120050	3382930	PARAFUSO C/ARRUELA PRESSAO
04	KWSH-S120004	3382530	VISOR OLEO S120	51	KWSH-S120051	3382940	COLETOR SAIDA S120 (LATAO)
05	KWSH-S120005	3382540	BUJAO OLEO C/ANEL S120	52	KWSH-S120052	3382950	ANEL 'O' CAMARA COMPENS.S120
07	KWSH-S120007	3382550	PARAFUSO	53	KWSH-S120053	3382960	CAMARA COMPENSACAO S120
08	KWSH-S120009	3382570	GUARDA PO SUPERIOR S120 (PLASTICO)	54	KWSH-S120054	3382970	ANEL 'O'
09	KWSH-S120008	3382560	BUJAO RESPIRO OLEO S120 (PLASTICO)	55	KWSH-S120055	3382980	EMBOLO VALVULA S120
10	KWSH-S120010	3382580	PEDESTAL S120	58	KWSH-S120058	3382990	ASENTO VALVULA S120 56,57
11	KWSH-S120011	3382590	PARAFUSO C/ARRUELA PRESSAO	59	KWSH-S120059	3383000	ANEL 'O'
12	KWSH-S120012	3382600	VIRABREQUIM BOMBA S120	60	KWSH-S120060	3383010	MANOPLA AJUSTE C/PARAFUSO S120
13	KWSH-S120013	3382610	BIELA CPL.S120	61	KWSH-S120061	3383020	CAIXA MOLA BY PASS S120
15	KWSH-S120015	3382620	PINO PISTAO S120	62	KWSH-S120062	3383030	PARAFUSO C/ARRUELA PRESSAO
16	KWSH-S120016	3382630	PISTAO BOMBA S120	63	KWSH-S120063	3383040	ASENTO MOLA SUPERIOR S120 (LATAO)
17	KWSH-S120017	3382640	ROLAMENTO	64	KWSH-S120064	3383050	MOLA BY-PASS S120
18	KWSH-S120018	3382650	RETENTOR OLEO	65	KWSH-S120065	3383060	PINO BY-PASS S120
19	KWSH-S120019	3382660	PARAFUSO	66	KWSH-S120066	3383070	ASENTO MOLA INFERIOR S120
20	KWSH-S120020	3382670	CHAVETA POLIA S120	67	KWSH-S120067	3383080	PARAFUSO C/ARRUEL PRESSAO
21	KWSH-S120021	3382680	POLIA BOMBA S120	68	KWSH-S120068	3383090	CARCACA BASE BY-PASS S120 (LATAO)
22	KWSH-S120022	3382690	PARAFUSO	69	KWSH-S120069	3383100	ALAVANCA BY-PASS S120
23	KWSH-S120023	3382700	RETENTOR OLEO PISTAO S120	70	KWSH-S120070	3383110	TORNEIRA SAIDA 1/2X1/2 M-M
24	KWSH-S120024	3382710	ANEL PARA AGUA S120 (LATAO)	71	KWSH-S120071	3383120	PLUGUE
25	KWSH-S120025	3382740	ANEL ENCOSTO S120 (LATAO)	72	KWSH-S120072	3383130	PINO GUIA CABECOTE S120
26	KWSH-S120026	3382730	RETENTOR GRAXA S120 BORRACHA	73	KWSH-S120073	3383140	MANOMETRO PRESSAO
27	KWSH-S120027	3382720	PORCA AJUSTE GAXETAS S120 (LATÃO)				
28	KWSH-S120028	3382750	GAXETA S120 (BORRACHA)				
29	KWSH-S120029	3382760	ACENTO GAXETA S80 (PLASTICO)				
30	KWSH-S120030	3382770	CILINDRO CABECOTE BOMBA S120 (LATAO)				
31	KWSH-S120031	3382780	GRAXEIRA S120				
32	KWSH-S120032	3382790	PARAFUSO C/ARRUELA PRESSAO				
33	KWSH-S120033	3382800	VALVULA CPL S120				
38	KWSH-S120038	3382810	VEDACAO VALVULA S120 (BORRACHA)				
39	KWSH-S120039	3382820	COLETOR ADMISSAO S120 (LATAO)				
40	KWSH-S120040	3382830	PARAFUSO C/ARRUELA PRESSAO				
41	KWSH-S120041	3382840	VEDACAO ESPIGAO S120 (BORRACHA)				
42	KWSH-S120042	3382850	ESPIGAO ENTRADA SMT. S120				
43	KWSH-S120043	3382860	PORCA ESPIGAO S120 (LATAO)				
44	KWSH-S120044	3382870	TRAVA PORCA AJUSTE GAXETA S120				
45	KWSH-S120045	3382880	ESPIGAO FILTRO S120				
46	KWSH-S120046	3382890	MANGUEIRA PVC SUCCAO S120				
47	KWSH-S120047	3382900	FILTRO SUCCAO S120				