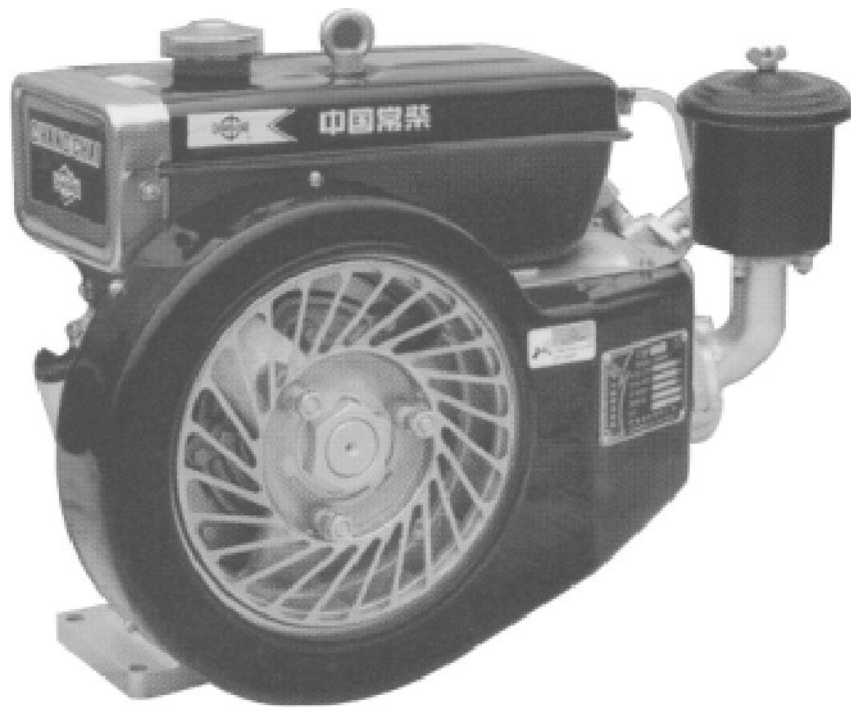
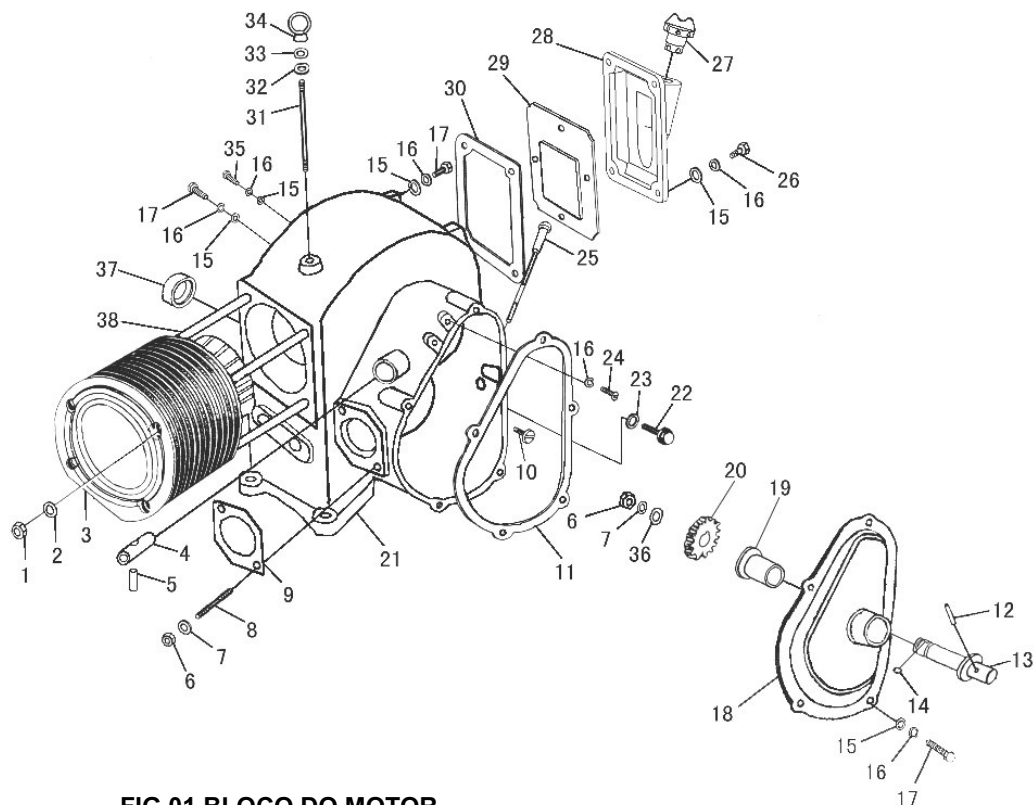


# MOTOR ESTACIONÁRIO CHANGCHAI DIESEL

Modelo 170F

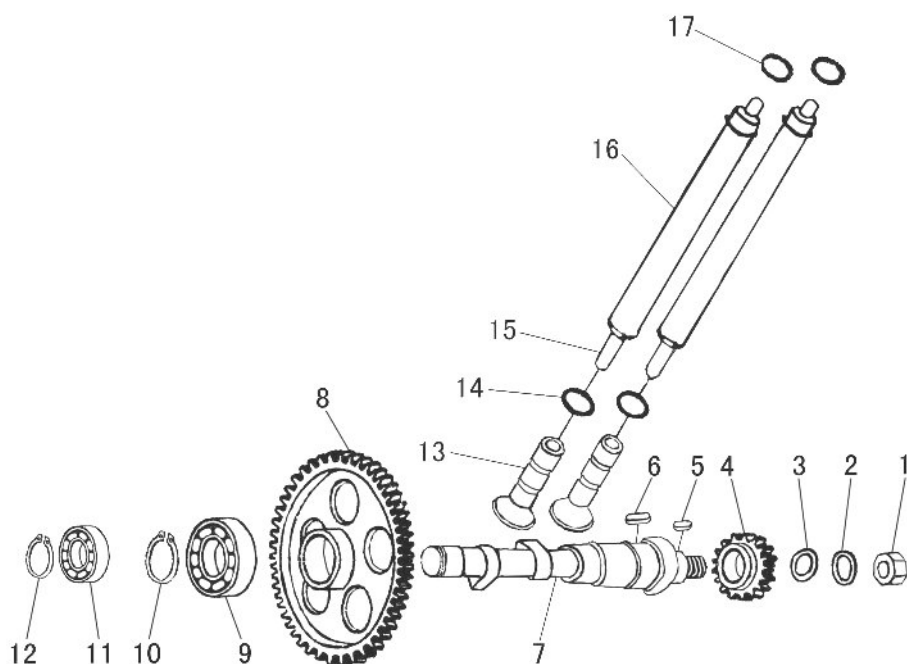


# EXPLODIDO



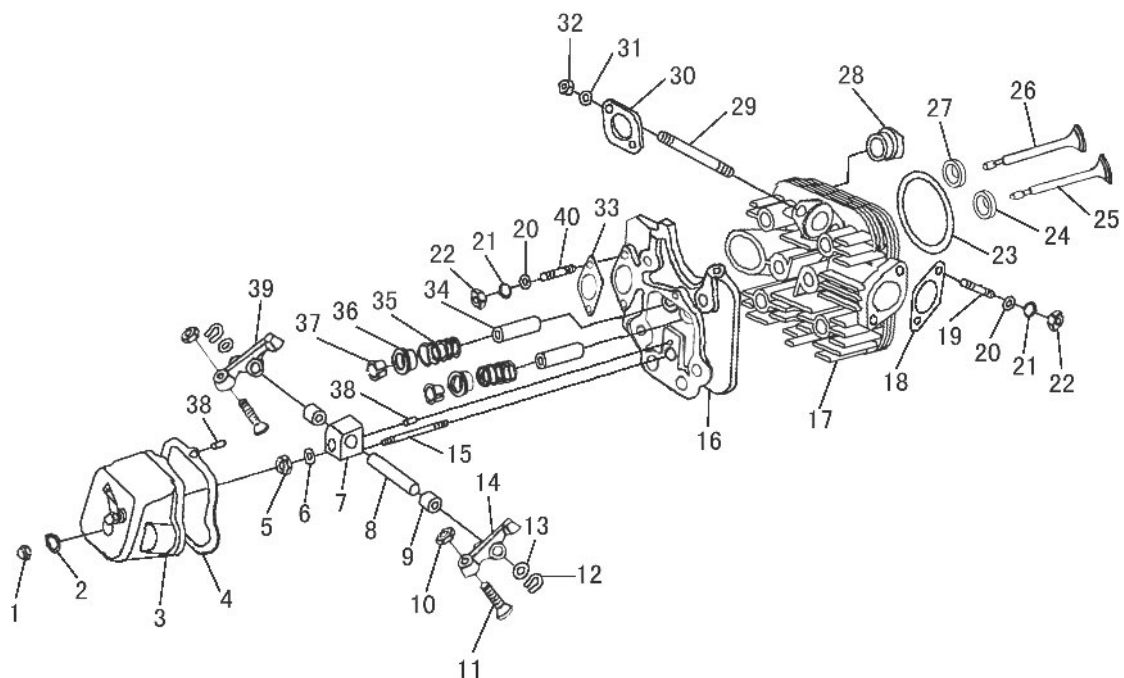
**FIG.01 BLOCO DO MOTOR**

Ref.	Cod.Fab.	Cod.CCM	Descricao
01	CH-170F-010005	3364820	PORCA CILINDRO 170F
02	CH-170F-010015	3364910	ARRUELA CILINDRO 170F
03	CH-170F-010003	3361480	CAMISA CILINDRO 170F
04	CH-170F-010002	3364810	BUCHA EIXO GOVERNADOR 170F
05	CH-GB/T119.1-0406	3374500	TRAVA PINO 4 U8X6
06	CH-GB/T6170-08	3375560	PORCA M8
07	CH-GB/T859-08	3376000	ARRUELA PRES. 8
08	CH-GB/T899-0820	3376370	PARAFUSO PRIS. M8X20
09	CH-170F-010014	3364900	CALSO AJUSTE BBA.INJ.165F/170F
10	CH-170F-010001	3364800	PARAFUSO
11	CH-170F-010013	3364890	JUNTA TAMPA LATERAL 170F
12	CH-GB/T119.1-0622	3374530	PINO EIXO MANIVELA 6 U8X22
13	CH-170F-012005A	3364970	EIXO PARTIDA MANIVELA 170F
14	CH-GB/T1096-0410	3374280	CHAVETA C4X10
15	CH-GB/T97.1-06	3376590	ARRUELA LISA 6
16	CH-GB/T859-06	3375990	ARRUELA PRES. 6
17	CH-GB/T5789-0616	3375520	PARAFUSO M6X16
18	CH-170F-012001A	3364950	TAMPA LATERAL 170F
19	CH-R165-012002	3378080	BUCHA EIXO MANIVELA 165F/170F
20	CH-170F-012004A	3364960	ENGRENAGEM PARTIDA MANIVELA 170F
21	CH-170F-010006	3364830	CARCACA VIRABREQUIM 170F
22	CH-QC/T376-1001	3378040	PARAFUSO M10X1,0
23	CH-170F-010012	3364880	VEDACAO BUJAO
24	CH-GB/T65-0612	3375680	PARAFUSO M6X12
25	CH-170F-013000	3364980	VARETA NIVEL OLEO 170F
26	CH-GB/T5783-0620	3375260	PARAFUSO M6X20
27	CH-170F-011100	3364930	BUJAO OLEO 170F
28	CH-170F-011001	3364920	TAMPA TRAZ.CARTER 170F
29	CH-170F-011200	3364940	CHAPA BRIDA (RESPIRO) 170F
30	CH-170F-010011	3364870	JUNTA TAMPA TRAZ.CARTER 170F
31	CH-170F-010007	3364840	PARAFUSO PRIS.OLHAL 170F
32	CH-GB/T97.1-10	3376630	ARRUELA LISA 10
33	CH-GB/T859-10	3376010	ARRUELA PRES. 10
34	CH-170F-010008	3364850	OLHAL LEVANTAMENTO 170F
35	CH-GB/T5783-0612	3375210	PARAFUSO M6X12
36	CH-GB/T97.1-08	3376610	ARRUELA LISA 8
37	CH-170F-010009	3364860	ESPAÇADOR 170F
38	CH-170F-010004	3361490	PARAFUSO PRISIONEIRO CABECOTE 170F



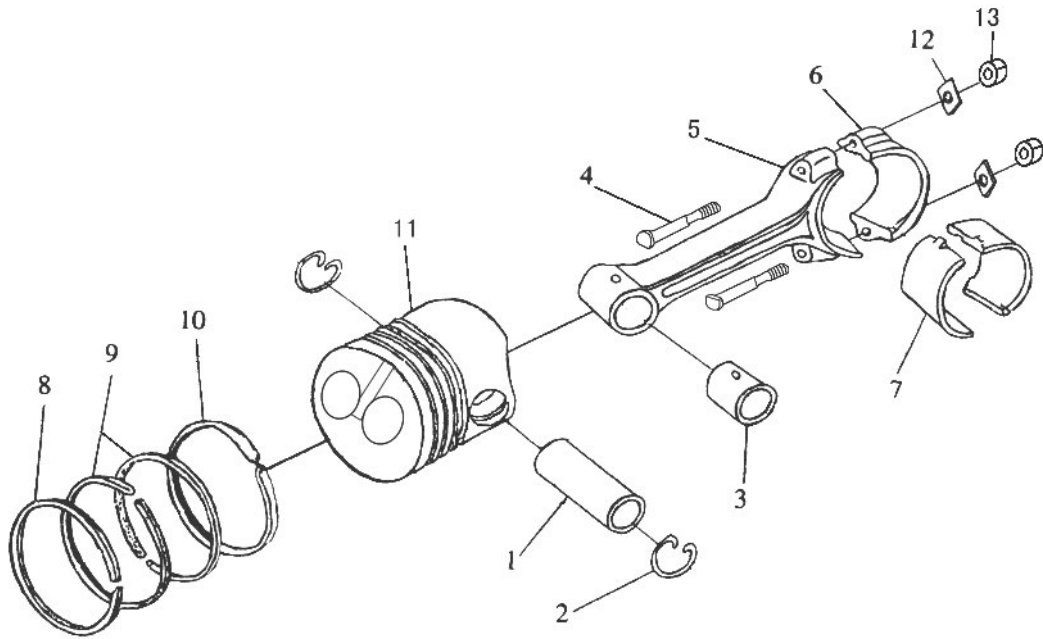
**FIG.02 COMANDO DE VÁLVULA**

Ref.	Cod.Fab.	Cod.CCM	Descricao
01	CH-GB/T6170-12	3375580	PORCA M12
02	CH-GB/T859-12	3376020	ARRUELA PRES. 12
03	CH-GB/T97.1-12	3376640	ARRUELA LISA 12
04	CH-170F-020008	3365040	ENGRENAGEM MENOR COMAND.170F
05	CH-GB/T1096-0510	3374290	CHAVETA C5X10
06	CH-GB/T1096-0518	3374320	CHAVETA 5X18
07	CH-170F-020001	3364990	EIXO COMANDO VALVULA 170F
08	CH-170F-020010	3365050	ENGRENAGEM MAIOR COMAND.170F
09	CH-GB/T276-6205	3374620	ROLAMENTO ESFERA 6205
10	CH-GB/T894.1-25	3376220	TRAVA EXT.25
11	CH-GB/T276-6202	3374600	ROLAMENTO ESFERA 6202
12	CH-GB/T894.1-15	3376180	TRAVA EXT.15
13	CH-170F-020002	3365000	TUCHO VALVULA 170F
15	CH-170F-020011	3365060	VARETA VALVULA 170F
16	CH-170F-020006	3365020	TUBO VARETA VALVULA 170F
17	CH-170F-020007	3365030	ANEL VED.TUBO VARETA SUP.165F/170F



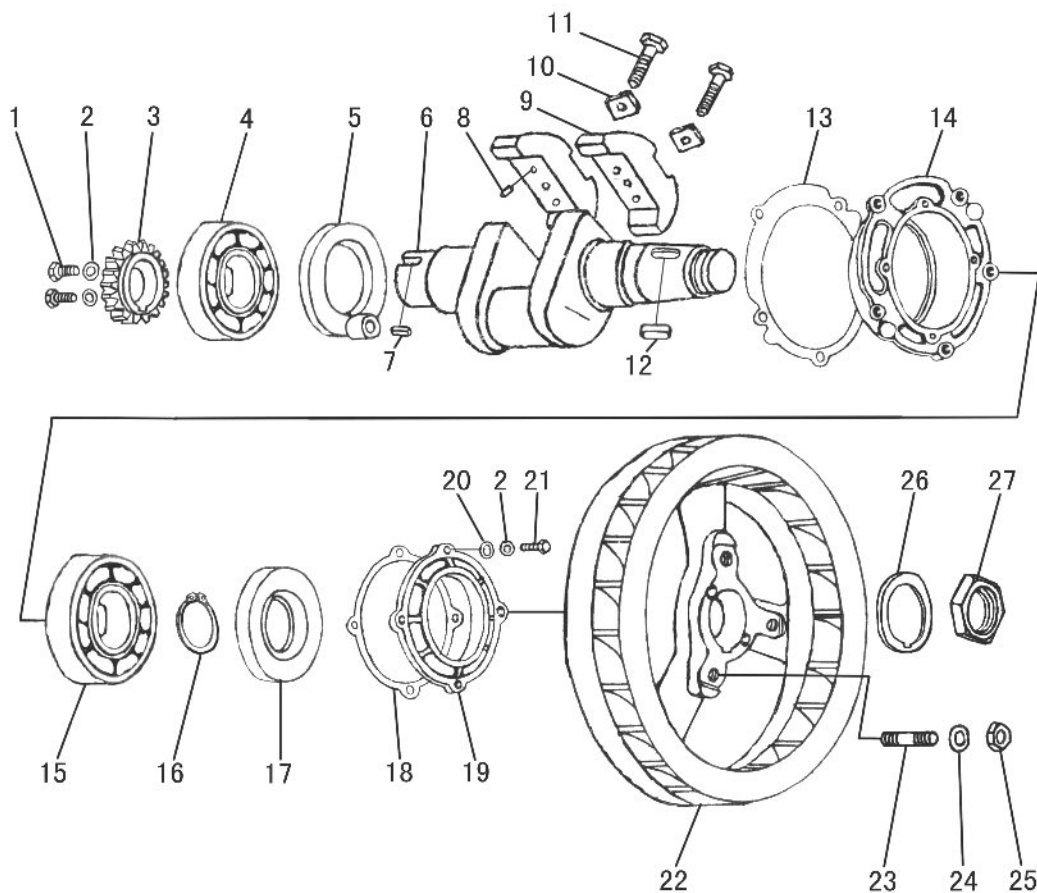
**FIG.03 CABEÇOTE**

Ref.	Cod.Fab.	Cod.CCM	Descricao
01	CH-GB/T6170-08	3375560	PORCA M8
02	CH-GB/T97.1-08	3376610	ARRUELA LISA 8
03	CH-170F-033000	3365250	TAMPA CABECOTE 170F
04	CH-170F-030001	3361500	JUNTA TAMPA CABECOTE 170F
05	CH-GB/T6170-10	3375570	PORCA M10
06	CH-GB/T859-10	3376010	ARRUELA PRES. 10
07	CH-170F-032007	3365230	SUPORTE EIXO BALANCIM 170F
08	CH-170F-032006	3365220	EIXO BALANCIM 170F
09	CH-170F-032003	3365200	ESPACADOR EIXO BALANCIM 170F
10	CH-170F-032004	3365210	PORCA AJUSTE VALVULA 165F/170F
11	CH-R165-030007	3378090	AJUSTADOR BALANCIM 170F
12	CH-GB/T894.1-12	3376170	TRAVA EXT.12
13	CH-170F-032008	3365240	CALSO 12
14	CH-170F-032002	3365190	BALANCIM ESC.170F
15	CH-170F-031007	3365100	PARAFUSO PRIS.SUPPORT.BALC.170F
16	CH-170F-031001	3365080	CABECOTE VALVULAS 170F
17	CH-170F-031101	3365130	CABECOTE CILINDRO 170F
18	CH-170F-031009	3361560	JUNTA SILENCIOSO 170F
19	CH-GB/T899-0616	3376350	PARAFUSO PRIS. M6X16
20	CH-GB/T97.1-06	3376590	ARRUELA LISA 6
21	CH-GB/T859-06	3375990	ARRUELA PRES. 6
22	CH-GB/T6170-06	3375550	PORCA M6
23	CH-170F-030002	3361510	JUNTA CABECOTE 170F
24	CH-170F-031102	3365140	ASSENTO VALVULA ESC.170F
25	CH-170F-031002	3361520	VALVULA ESCAPE 170F
26	CH-170F-031003	3361530	VALVULA ADMISSAO 170F
27	CH-170F-031103	3365150	ASSENTO VALVULA ADM.170F
28	CH-170F-031105	3365170	TUBO CABECOTE 170F
29	CH-170F-031010	3365120	PARAFUSO PRIS.BICO INJ.170F
30	CH-170F-030003	3365070	CHAPA FIX.BICO INJ.170F
31	CH-GB/T859-08	3376000	ARRUELA PRES. 8
32	CH-GB/T6170-08	3375560	PORCA M8
33	CH-170F-031008	3365110	JUNTA COLETOR ADM.170F
34	CH-170F-031104	3365160	GUIA VALVULA 170F
35	CH-170F-031006	3361550	MOLA INT.VALVULA 170F
36	CH-170F-031005	3365090	ASSENTO MOLA VALVULA 170F
37	CH-170F-031004	3361540	TRAVA VALVULA 170F
38	CH-GB/T119.1-0410	3374510	PINO GUIA 4 U8X10
40	CH-GB/T899-0618	3376360	PARAFUSO PRIS. M6X18



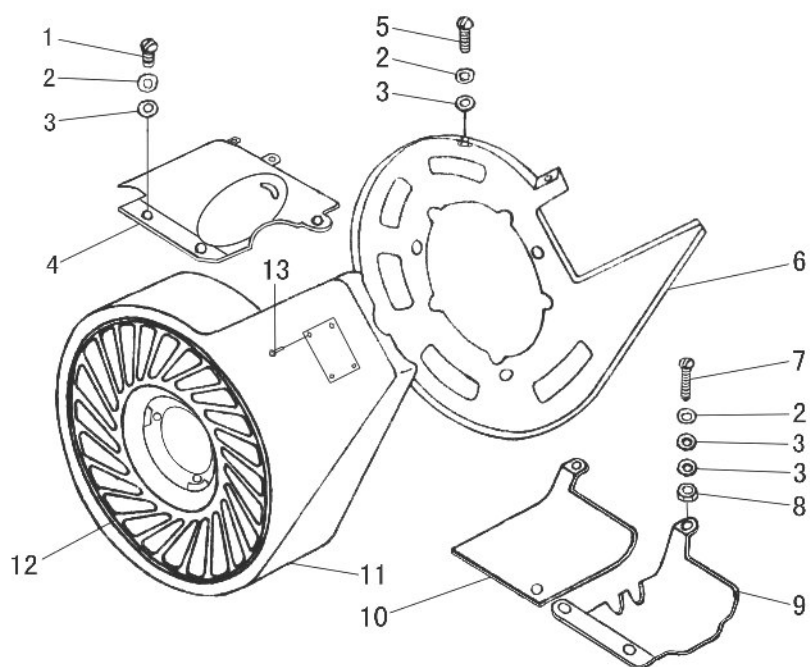
**FIG.04 PISTÃO E BIELA**

Ref.	Cod.Fab.	Cod.CCM	Descrição
01	CH-170F-040004-1	3361580	PINO PISTAO 170F
03	CH-170F-042001	3365290	BUCHA PINO PIST/BIELA 170F
04	CH-170F-042005	3365320	PARAFUSO BIELA 170F
05	CH-170F-042002	3365300	BIELA SUPERIOR 170F
06	CH-170F-042003	3365310	BIELA INFERRIOR 170F
07	CH-170F-042004	3361600	CASQUILHO BIELA 170F
08	CH-170F-040001	3365260	ANEL SEGM.NR1 170F
09	CH-170F-040002	3365270	ANEL SEGM.NR2,3 170F
10	CH-170F-041000	3365280	ANEL SEGM.OLEO 170F
11	CH-170F-040003	3361570	PISTAO 170F
13	CH-170F-042006	3365330	PORCA BIELA 170F



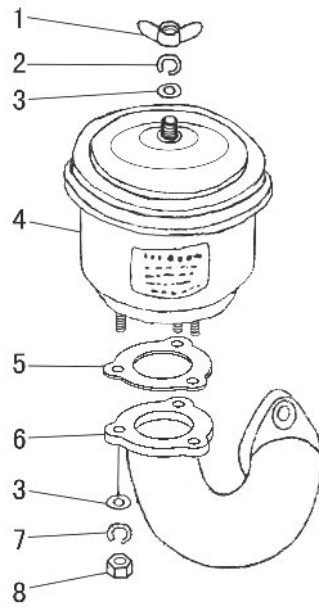
**FIG.05 VOLANTE E VIRABREQUIM**

Ref.	Cod.Fab.	Cod.CCM	Descricao
01	CH-GB/T67-0618	3375790	PARAFUSO M6X18
02	CH-GB/T859-06	3375990	ARRUELA PRES. 6
03	CH-170F-050001	3365350	ENGRENAGEM PONTO 170F
04	CH-GB/T276-6209	3374640	ROLAMENTO ESFERA 6209
05	CH-170F-050002	3365360	ANEL ESPACADOR VIRABR.170F
06	CH-170F-051001	3365430	VIRABREQUIM 170F
07	CH-GB/T1096-0510	3374290	CHAVETA C5X10
08	CH-GB/T119.1-0816	3374540	PINO GUIA 8 H8X16
09	CH-170F-051002	3365440	CONTRA PESO VIRAB.(BOLACHA) 170F
10	CH-170F-051003	3365450	TRAVA PORCA C/PESO 170F
11	CH-170F-051004	3365460	PARAFUSO C/PESO 170F
12	CH-170F-050007	3365400	CHAVETA VOLANTE 170F
13	CH-170F-050005	3365380	JUNTA SOBRE MANCAL 170F
14	CH-170F-050004	3365370	SOBRE MANCAL VIRABR.170F
15	CH-GB/T276-6309	3374670	ROLAMENTO ESFERA 6309
16	CH-GB/T894.1-45	3376240	TRAVA EXT.45
18	CH-170F-050011	3361620	JUNTA MANCAL VIRABREQUIM 170F
19	CH-170F-050010	3365420	FLANGE MANC.VIRB.170F
20	CH-GB/T97.1-06	3376590	ARRUELA LISA 6
21	CH-GB/T5783-0620	3375260	PARAFUSO M6X20
22	CH-170F-050006	3365390	VOLANTE 170F
23	CH-GB/T898-1025	3376340	PARAFUSO PRIS. M10X25
24	CH-GB/T859-10	3376010	ARRUELA PRES. 10
25	CH-GB/T6170-10	3375570	PORCA M10
26	CH-170F-050009	3365410	TRAVA PORCA VOL.170F
27	CH-170F-050008	3361610	PORCA VOLANTE 170F



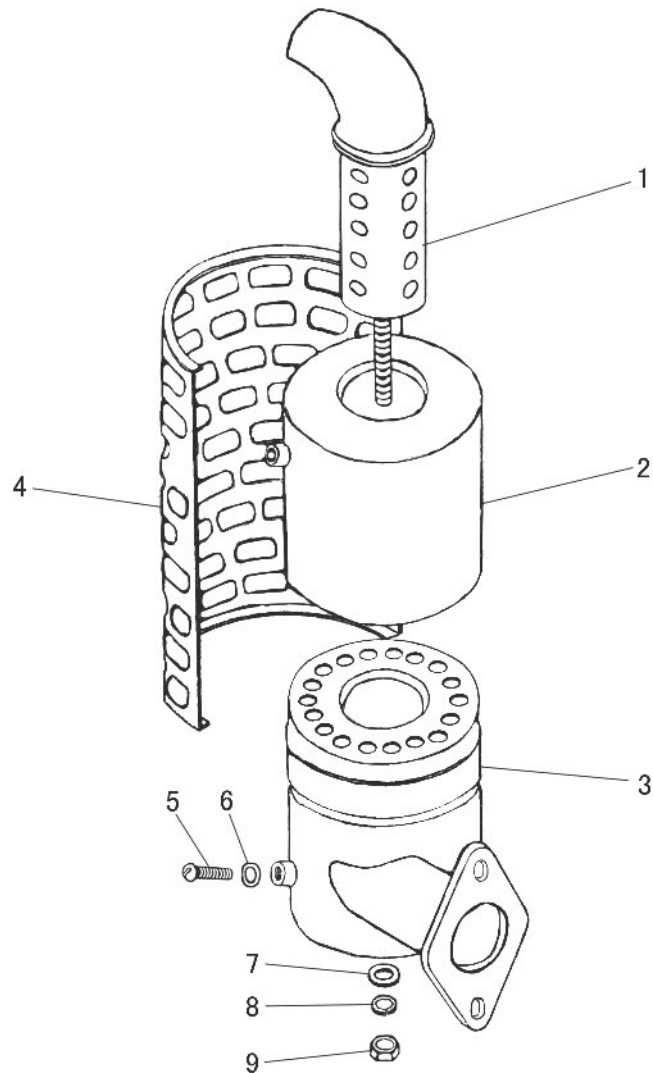
**FIG.06 CARENAGEMVENTILADOR 170F**

Ref.	Cod.Fab.	Cod.CCM	Descricao
01	CH-GB/T67-0508	3375720	PARAFUSO M5X8
02	CH-GB/T859-05	3375980	ARRUELA PRES. 5
03	CH-GB/T97.1-05	3376570	ARRUELA LISA 5
04	CH-170F-060003	3365480	CHAPA REFRIGERACAO 170F
05	CH-GB/T67-0512	3375740	PARAFUSO M5X12
06	CH-170F-061000	3365500	PLACA INT.VENTILACAO 170F
07	CH-GB/T67-0518	3375750	PARAFUSO M5X18
08	CH-GB/T6170-05	3375540	PORCA M5
09	CH-170F-060001	3365470	PLACA INF. 170F
10	CH-170F-062002	3365520	PLACA INT.INF.170F
11	CH-170F-062000	3365510	COBERTURA VENTILADOR 170F
12	CH-170F-060004	3365490	GRADE VENTILADOR 170F
13	CH-GB/T827-2,504	3375920	REBITE 2,5X4



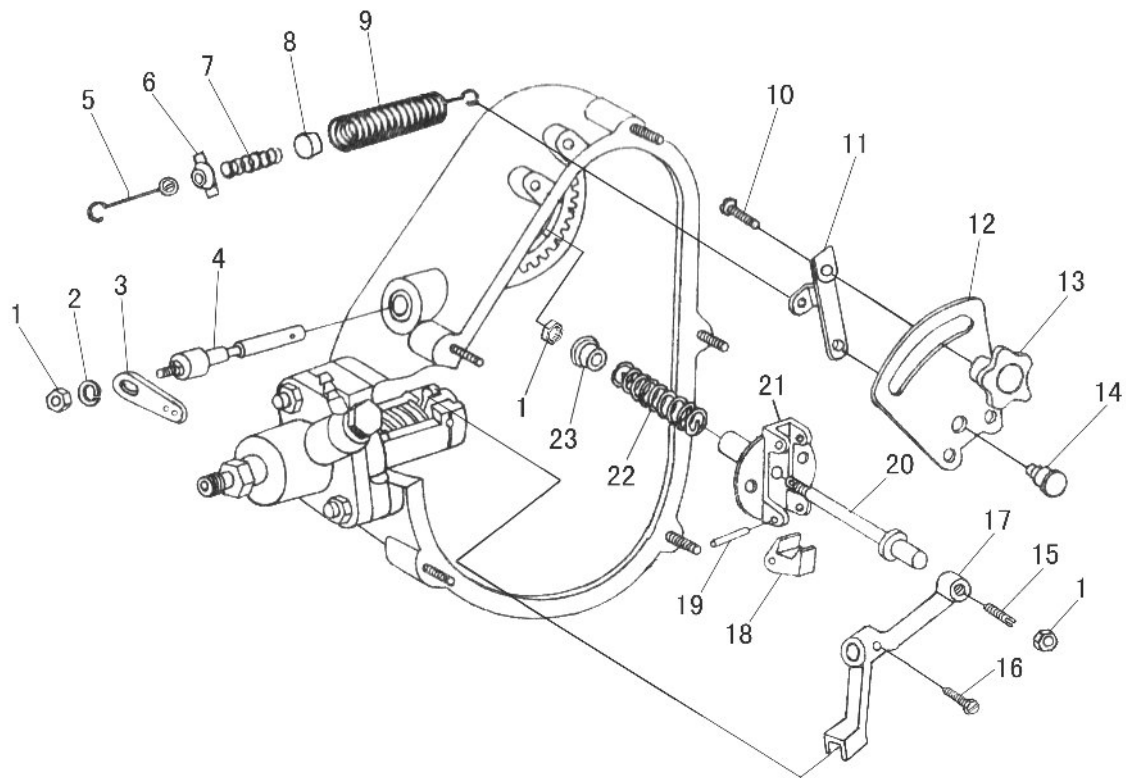
**FIG.07 FILTRO AR**

Ref.	Cod.Fab.	Cod.CCM	Descrição
01	CH-GB/T62-06	3375660	PORCA BORBOLETA M6
02	CH-GB/T859-06	3375990	ARRUELA PRES. 6
03	CH-GB/T97.1-06	3376590	ARRUELA LISA 6
04	CH-170F-110000	3361670	FILTRO AR CPL. 170F
05	CH-170F-110001	3366000	JUNTA FILTRO AR 170F
06	CH-170F-113000	3366010	COLETOR ADMISSAO 170F
07	CH-GB/T93-06	3376480	ARRUELA PRES. 6
08	CH-GB/T6170-06	3375550	PORCA M6



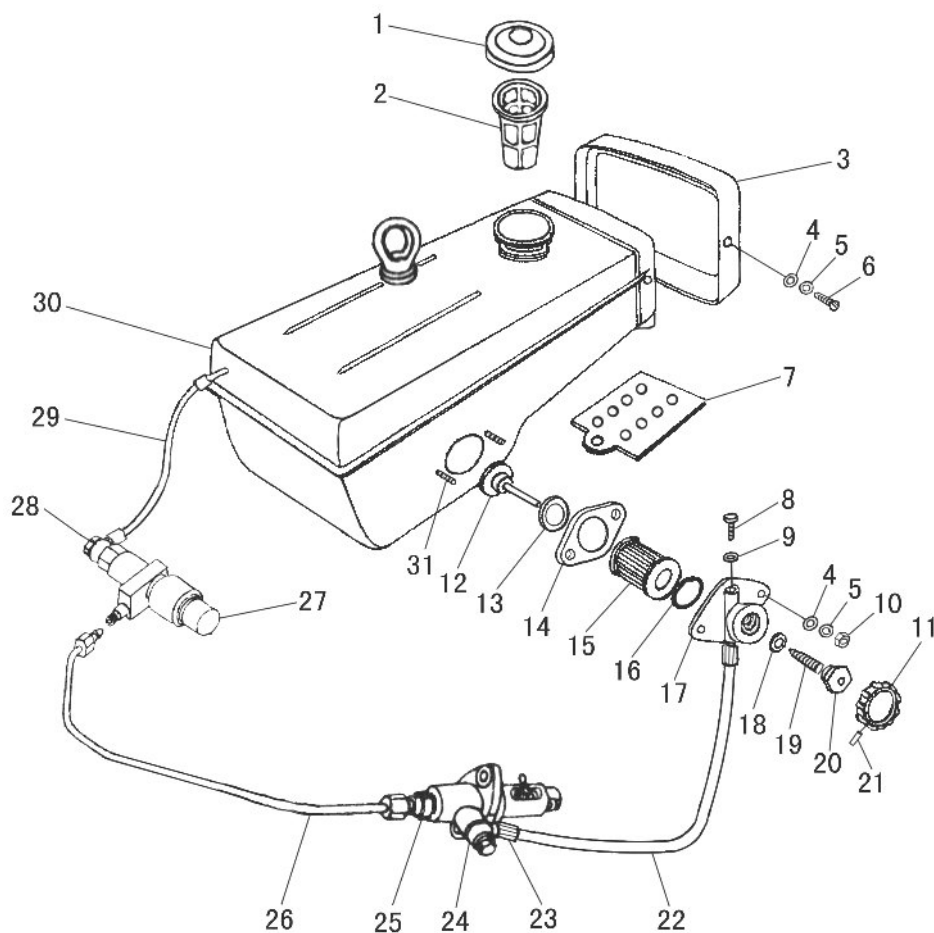
**FIG.08 SILENCIOSO 170F**

Ref.	Cod.Fab.	Cod.CCM	Descricao
01	CH-170F-081000	3365770	PONTEIRA ESCAPE 170F
02	CH-170F-082000	3365780	CAPA SUPERIOR ESCAPE 170F
03	CH-170F-083000	3365790	CORPO SILENCIOSO 170F
04	CH-170F-080001	3365760	PROTECAO CALOR SILENCIOSO 170F
05	CH-GB/T67-0610	3375760	PARAFUSO M6X10
06	CH-GB/T859-06	3375990	ARRUELA PRES. 6
07	CH-GB/T97.1-06	3376590	ARRUELA LISA 6
08	CH-GB/T93-06	3376480	ARRUELA PRES. 6
09	CH-GB/T6170-06	3375550	PORCA M6



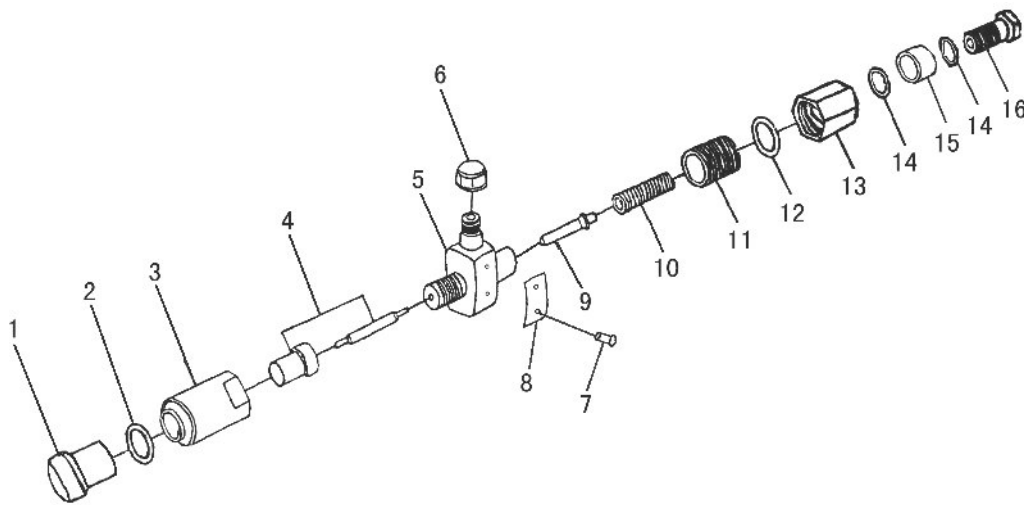
**FIG.08A CAIXA ENGRENAGEM**

Ref.	Cod.Fab.	Cod.CCM	Descricao
01	CH-GB/T6170-06	3375550	PORCA M6
02	CH-GB/T859-06	3375990	ARRUELA PRES. 6
03	CH-170F-101002	3365810	ALAVANCA REGL.GOVERN.170F
04	CH-170F-101001	3365800	EIXO GOVERN. 170F
05	CH-170F-105003	3365970	GANCHO MOLA GOVERN.170F
06	CH-170F-105002	3365960	ASSENTO MOLA GOVERN.170F
07	CH-170F-105005	3365990	MOLA INTERNA GOVERN. 170F
08	CH-170F-105004	3365980	ASSENTO MOLA GOVERN.170F
09	CH-170F-105001	3365950	MOLA GOVERNADOR 170F
10	CH-GB/T67-0618	3375790	PARAFUSO M6X18
11	CH-170F-103004	3365870	ALAVANCA ACELERAD. 170F
12	CH-170F-103003	3365860	PLACA ACELERADOR 170F
13	CH-170F-103001	3365850	MANOPLA ACELERADOR 165F/170F
14	CH-170F-103005	3365880	PARAFUSO FIX.ACELERAD.165F/170F
15	CH-170F-102002	3365830	PARAFUSO AJUSTE GOVERN. 165F/170F
16	CH-170F-102003	3365840	PARAFUSO FIXA EIXO/ALAVN.165F/170F
17	CH-170F-102001	3365820	ALAVANCA PRIC.GOVERN. 170F
18	CH-170F-104001-1	3365890	PESO GOVERNADOR 170F
19	CH-170F-104005	3365930	PINO PESO GOVEN. 170F
20	CH-170F-104002-1	3365900	EMBOLO ATUAD.GOVERN.170F
21	CH-170F-104006-1	3365940	CARCACA GOVERNADOR 170F
22	CH-170F-104003-1	3365910	MOLA EMBOLO GOVERN.170F
23	CH-170F-104004	3365920	ASSENTO MOLA EMBOLO GOVERN.170F



**FIG.09 TANQUE DE COMBUSTÍVEL**

Ref.	Cod.Fab.	Cod.CCM	Descrição
01	CH-170F-072000	3365610	TAMPA TANQUE COMB.165F/170F
02	CH-170F-073000	3365620	FILTRO TAMPA TANQUE COMB 165F/170F
03	CH-170F-071006	3365600	PROTECAO FRONT.TQ.COMB.170F
04	CH-GB/T97.1-06	3376590	ARRUELA LISA 6
05	CH-GB/T859-06	3375990	ARRUELA PRES. 6
06	CH-GB/T67-0612	3375770	PARAFUSO M6X12
07	CH-170F-070001	3365530	CHAPA INF.TANQ.COMB.170F
08	CH-170F-074003	3365650	BUJAO TORN.COMB.165F/170F
09	CH-170F-074004	3365660	VEDACAO BUJAO 165F/170F
10	CH-GB/T6170-06	3375550	PORCA M6
11	CH-170F-074008	3365700	MANOPLA TORN.COMB.170F
12	CH-170F-074010	3365720	FIXA FILTRO COMB.170F
13	CH-170F-074011	3365730	VEDACAO FILTRO COMB.165F/170F
14	CH-170F-074009	3365710	JUNTA TAMPA FILTRO COMBS.165F/170F
15	CH-170F-074100	3365740	ELEMENTO FILTRO COMB.165F/170F
16	CH-170F-074002	3365640	VEDACAO PARAF.FILTRO 165F/170F
17	CH-170-F074001	3365630	CORPO SAIDA TANQ.COMB.170F
18	CH-170F-074006	3365680	VEDACAO AGULHA TORN.170F
19	CH-170F-074005	3365670	AGULHA TORNEIRA 170F
20	CH-170F-074007	3365690	PORCA AGULHA TORNEIRA 170F
21	CH-GB/T119.1-0316	3374490	PINO 3X16
22	CH-170F-070005	3365560	MANGUEIRA COMB.TQ/BBA. 170F
23	CH-170F-070006	3365570	ABRACADEIRA MANG.COMB. 165F/170F
24	CH-170F-070007	3365580	TERMINAL OLHAL MANG.COMB.165F/170F
25	CH-BF1060Z02B	3373940	BOMBA INJETORA 165F/170F
26	CH-170F-075000	3365750	TUBO ALTA PRESS. 170F
27	CH-PB35S6F	3377980	BICO INJ.CPL. 165F/170F
28	CH-170F-070004	3365550	TERMINAL OLHAL MANG.RET.165F/170F
29	CH-170F-070003	3365540	TUBO RETORNO 170F
30	CH-170F-071000	3365590	TANQUE COMB.170F
31	CH-GB/T899-0616	3376350	PARAFUSO PRIS. M6X16



**FIG.11 INJEÇÃO**

Ref.	Cod.Fab.	Cod.CCM	Descrição
01	CH-P1-0016	3377840	ASSENTO BICO INJ.165F/170F
02	CH-P1-0017	3377850	VEDACAO BICO INJ.165F/170F/R190/N
03	CH-P1-0013	3377810	CAPA INT.ELEM.B.INJ.165F/170F/R190/
04	CH-Z1-0000	3385360	ELEMENTO BICO INJ.165F/170F/R190
05	CH-P1-0002	3377720	CORPO BICO INJETOR 165F/170F/R190/N
06	CH-P1-0001	3377710	CAPA CORPO BICO INJ.165F/170F/R190/
07	CH-P1-0014	3377820	REBITE
08	CH-P1-0015	3377830	PLACA IDENTIF.BICO 170F
09	CH-P1-0012	3377800	EMBOLO BICO INJ. 165F/170F/R190/N
10	CH-P1-0011	3377790	MOLA EMBOLO B.INJ.165F/170F/R190/N
11	CH-P1-0008	3377780	PARAFUSO AJUS.INJ.165F/170F/R190/N
12	CH-P1-0003	3377730	VEDACAO PARAF.AJT.165F/170F/R190/N
13	CH-P1-0004	3377740	PORCA CAPA BICO INJ.165F/170F/R190/
14	CH-P1-0005	3377750	VEDACAO CONX.RET. 165F/170F/R190/N
15	CH-P1-0006	3377760	CONECAO BICO RET.INJ.165F/170F/R190
16	CH-P1-0007	3377770	PARAFUSO OCO RET.165F/170F/R190/N