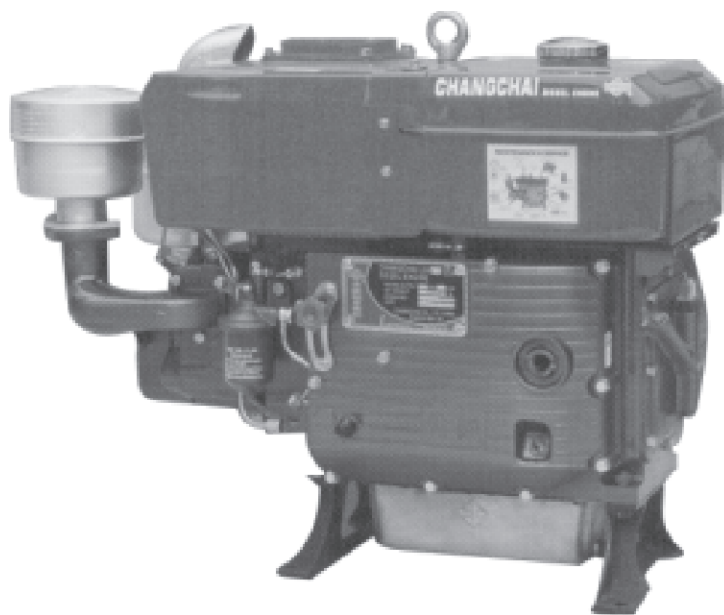


MOTOR ESTACIONÁRIO CHANGCHAI DIESEL

Modelo L28-L32



EXPLODIDO

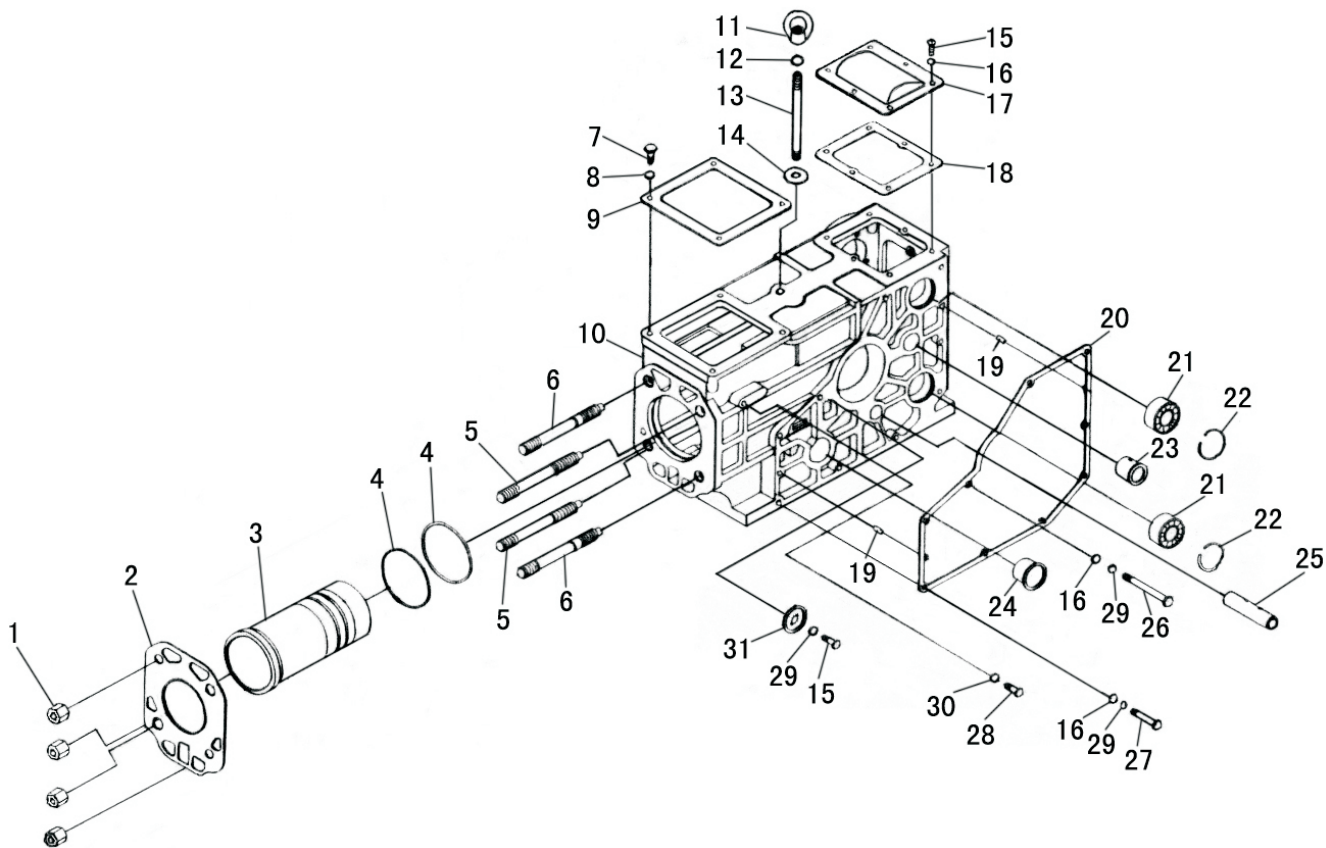


FIG.01 BLOCO DO MOTOR

Ref.	Cod.Fab.	Cod.CCM	Descricao
01	CH-1120-010032	3363670	PORCA CABECOTE CILINDRO L28/L32
02	CH-1125-010014	3361240	JUNTA CABECOTE L28
03	CH-L32-010001	3362420	CAMISA CILINDRO L32
03A	CH-L30-010001	3362270	CAMISA CILINDRO L28
04	CH-1125-010012	3363780	ANEL O CAMISA L28/32
05	CH-1120-010015	3361160	PARAFUSO PRIS.CABECOTE L28/32
06	CH-1120-010016	3361170	PARAFUSO PRIS.CABECOTE L28/32
07	CH-GB/T5783-1030	3375470	PARAFUSO M10X30
08	CH-GB/T97.1-10	3376630	ARRUELA LISA 10
09	CH-195-01007	3372000	JUNTA FUNIL RAD.S1100A2/ZS1115/L24/
10	CH-L30-011001	3377300	BLOCO MOTOR L28
10A	CH-L32-011001	3377620	BLOCO MOTOR L32
11	CH-195-01010	3372030	PORCA OLHAL P/ SUSP.
12	CH-GB/T97.1-12	3376640	ARRUELA LISA 12
13	CH-S195M-24010	3385210	PARAFUSO PRIS. SUP. OLHAL L24/28/32
14	CH-195-01008	3372010	ARRUELA 10
15	CH-GB/T5783-0816	3375320	PARAFUSO M8X16
16	CH-GB/T97.1-08	3376610	ARRUELA LISA 8
17	CH-S1110-01013	3379460	TAMPA SUP.BLOCO ZS1115/L24/28/32
18	CH-L30-010012	3377270	JUNTA TAMPA SUPERIOR L28/32
19	CH-GB/T119.1-0512	3374520	PINO GUIA 5X12
20	CH-L30-01011	3377290	JUNTA TAMPA LATERAL L28/32
21	CH-GB/T276-6305	3374650	ROLAMENTO ESFERA 6305
22	CH-S1110-01010	3379450	TRAVA INTERNA ROLAMENTO
23	CH-S1110-01102	3379480	BUCHA EIXO MANIVELA ZS1115/L24/28/3
24	CH-L30-011002	3377310	BUCHA EIXO COMANDO L28/32
25	CH-L32-015000	3377630	EIXO ENGRENAGEM GOVERN.L28/32
26	CH-GB/T5782-0895	3375160	PARAFUSO M8X95
27	CH-GB/T5782-0855	3375130	PARAFUSO M8X55
28	CH-GB/T5783-1025	3375460	PARAFUSO M10X25
29	CH-GB/T93-08	3376490	ARRUELA PRES. 8
30	CH-GB/T93-10	3376500	ARRUELA PRES. 10
31	CH-L30-010034	3377280	PLACA TRAVA ROLAMENTO L28/32

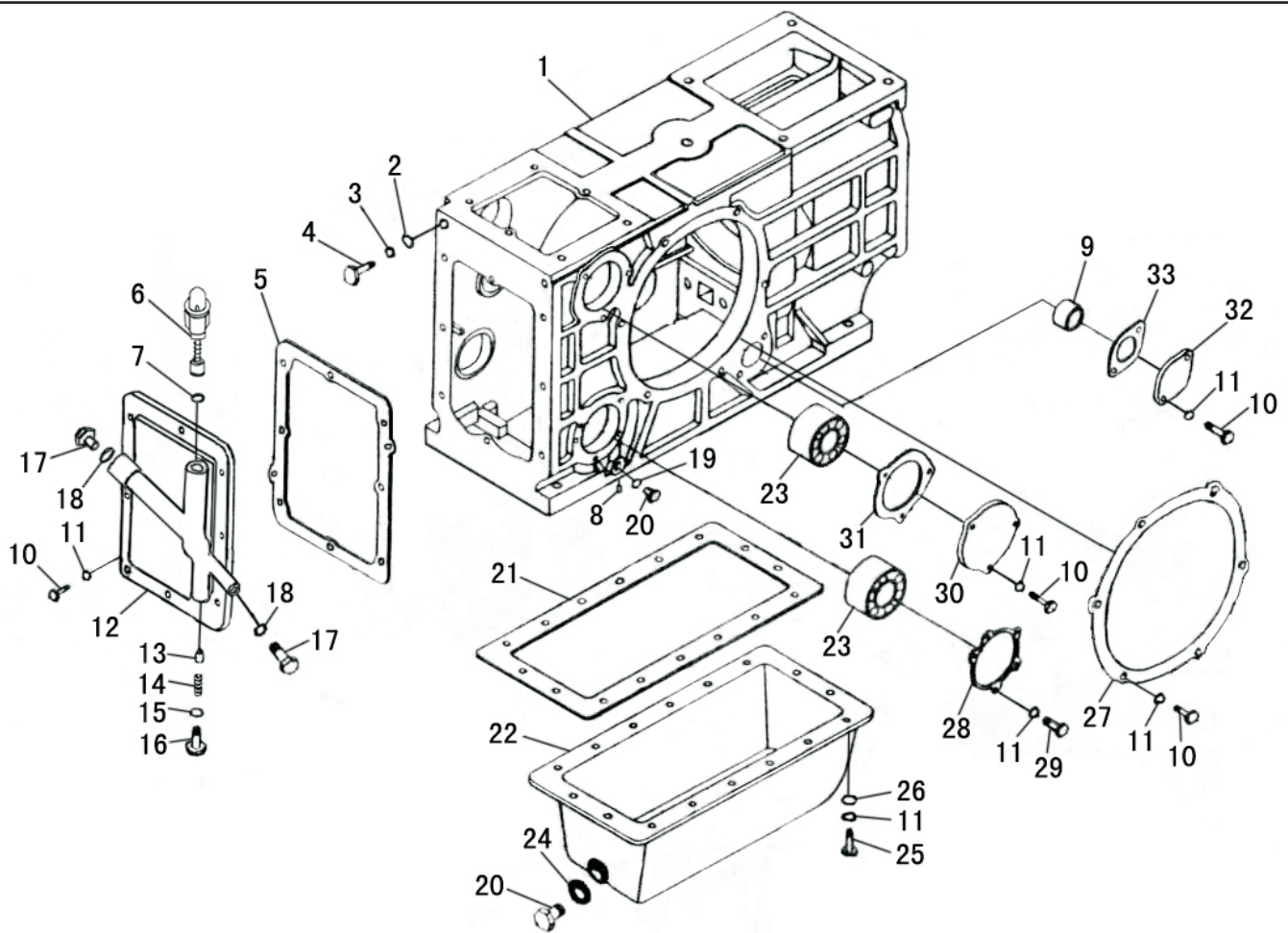


FIG.02 BLOCO DO MOTOR B

Ref.	Cod.Fab.	Cod.CCM	Descricao
02	CH-GB/T97.1-10	3376630	ARRUELA LISA 10
03	CH-GB/T93-10	3376500	ARRUELA PRES. 10
04	CH-GB/T5783-1020	3375450	PARAFUSO M10X20
05	CH-L30-010015	3362280	JUNTA TAMPA TRAZEIRA L28/32
06	CH-S1110A-031100	3379880	INDICADOR PRESSAO OLEO L24/28/32
07	CH-L30-013002	3377330	ANEL O VISOR OLEO
08	CH-195-01021	3372120	PLUGUE OLEO INTERNO
09	CH-195-01032	3372230	BUCHA EIXO COM.S1100A2/ZS1115/L24/2
10	CH-GB/T5783-0825	3375360	PARAFUSO M8X25
11	CH-GB/T93-11	3376520	ARRUELA PRES. 11
12	CH-L30-013001	3377320	TAMPA CARTER TRAZ. L28/32
13	CH-1100AT-01303	3361100	SEDE AJUSTE PRESS.OLEO L24
14	CH-1100AT-01306	3361130	MOLA AJUSTE PRESS.OLEO L24
15	CH-1100AT-01307	3363570	ARRUELA PARAF.AJUST.D12
16	CH-1100AT-01304	3361110	PARAFUSO AJUSTE PRESS.OLEO L24
17	CH-1100AT-01305	3361120	PLUGUE LATERAL L24
18	CH-195-09001-1	3372970	VEDACAO P/PARAF.OCO 8
19	CH-195-01025	3372160	ARRUELA 8
20	CH-195-01026	3372170	PLUGUE
21	CH-195-01033-1	3372240	JUNTA CARTER L24/28/L32
22	CH-S1110-01200	3379490	CARTER OLEO L24/28/32
23	CH-GB/T276-6305	3374650	ROLAMENTO ESFERA 6305
25	CH-GB/T5783-0818	3375330	PARAFUSO M8X18
26	CH-GB/T97.1-08	3376610	ARRUELA LISA 8
27	CH-L22-010029	3362170	JUNTA MANCAL VIRAB. L24
28	CH-S1110-01014	3379470	JUNTA BOMBA OLEO ZS1115/L24/28/32
29	CH-GB/T5782-0830	3375090	PARAFUSO M8X30
30	CH-S1110-01008	3379430	TAMPA EIXO BALANC.ZS1115/L24/28/32
31	CH-S1110-01009	3379440	JUNTA TAMPA EIXO BAL.ZS1115/L24/28/
32	CH-195-01030-3	3372200	TAMPA COMANDO L24/28/32
33	CH-195-01031-2	3372220	JUNTA TAMPA COMAN.L24/28/32

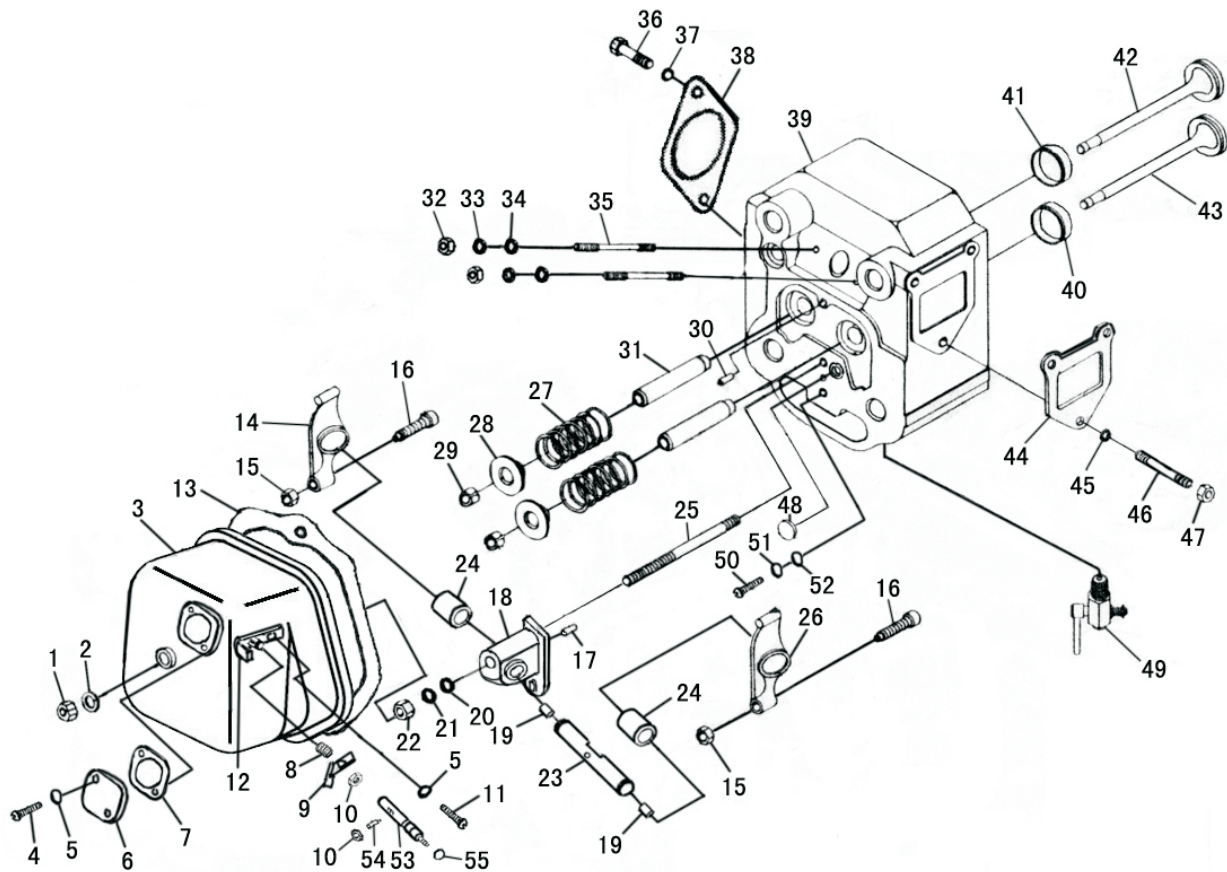


FIG.03 CABEÇOTE

Ref.	Cod.Fab.	Cod.CCM	Descricao	Ref.	Cod.Fab.	Cod.CCM	Descricao
01	CH-GB/T923-10	3376460	PORCA M10	29	CH-L30-030006	3377370	RETENTOR MOLA VALVULA L28/32
02	CH-195-03029	3372510	ARRUELA 10	30	CH-GB/T119.1-0512	3374520	PINO GUIA 5X12
03	CH-S1120-032001	3385190	TAMPA CABECOTE CIL.L28/32	31	CH-L30-031004	3377380	GUIA VALVULA L28/32
04	CH-GB/T818-0612	3375890	PARAFUSO M6X12	32	CH-GB/T6170-08	3375560	PORCA M8
05	CH-GB/T859-06	3375990	ARRUELA PRES. 6	33	CH-GB/T859-08	3376000	ARRUELA PRES. 8
06	CH-192-031008	3366690	TAMPA INSP.DESCOMP. SQD192/L28/32	34	CH-GB/T848-08	3375950	ARRUELA LISA 8
07	CH-192-031009	3366700	JUNTA TAMPA INSP.DESC.SQD192/L28/32	35	CH-GB/T898-0855	3376330	PARAFUSO PRIS. M8X55
08	CH-192-031006	3366670	MOLA DESCOMP.SQD192/L28/32	36	CH-GB/T5783-1230	3375490	PARAFUSO M12X30
09	CH-1120-032004C	3363740	ALAVANCA DESCOMP.L28/32	37	CH-GB/T859-12	3376020	ARRUELA PRES. 12
10	CH-GB/T6170-06	3375550	PORCA M6	38	CH-S1120-030003	3385090	JUNTA COLETOR ESCAPE L28/32
11	CH-GB/T5783-0612	3375210	PARAFUSO M6X12	39	CH-L30-031001	3362310	CABECOTE L28/32
12	CH-192-031007	3366680	SUPORTE ALAV.DESCOMP.SQD192/L28/32	40	CH-L30-031002	3362320	SEDE VALVULA ADMS.L28/32
13	CH-S1120-030011	3385160	JUNTA TAMPA CABECOTE L28/32	41	CH-L30-031003-1	3362330	SEDE VALVULA ESCP.L28/32
14	CH-S1120-030101	3385170	BALANCIN VALVULA ESCAPE L28/32	42	CH-L30-030002-2	3362300	VALVULA ESCAPE L24/32
15	CH-GB/T6176-12	3375650	PORCA M12X1.25	43	CH-L30-030001	3362290	VALVULA ADMISSAO L24/32
16	CH-S1120-030007	3385120	PARAFUSO PRIS. AJUSTE BALANC.L28/32	44	CH-S1120-030010	3385150	JUNTA COLETOR ADMISSAO L28/32
17	CH-S1120-030008	3385130	PINO GUIA	45	CH-GB/T859-10	3376010	ARRUELA PRES. 10
18	CH-L30-032002	3377400	SUP. MANCAL EIXO BALANCEIRO L28/32	46	CH-GB/T898-1025	3376340	PARAFUSO PRIS. M10X25
19	CH-S1120-030202	3385180	PLUGUE EIXO BALACEIRO L28/32	47	CH-GB/T6170-10	3375570	PORCA M10
20	CH-GB/T848-12	3375970	ARRUELA PRES. 12	48	CH-195-03023	3372460	BUJAO (LACRE)
21	CH-GB/T93-12	3376530	ARRUELA PRES. 12	49	CH-195-01300-1	3372300	TORNEIRA DRENO AGUA RC3/8
22	CH-GB/T6170-12	3375580	PORCA M12	50	CH-GB/T5783-1035	3375480	PARAFUSO M10X35
23	CH-L30-032001	3377390	EIXO BALANCEIRO L28/32	51	CH-GB/T93-10	3376500	ARRUELA PRES. 10
24	CH-1120-030102	3363710	ESPACADOR EIXO BALANCEIRO L28/32	52	CH-GB/T97.1-10	3376630	ARRUELA LISA 10
25	CH-S1120-030009	3385140	PARAFUSO PRIS.SUPOR. BALNC.L28/32	53	CH-S1120-032003	3385200	EIXO DESCOMPRESS.L28/32
26	CH-1120-030301	3363730	BALANCIN VALVULA ADMIS. L28/32	54	CH-192-031004	3366650	AJUS.EIXO DESCOMP.SQD192/L28/32
27	CH-S1120-030004	3385100	MOLA VALVULA L28/32	55	CH-ZBJ22002	3385400	TRAVA EIXO 18000900
28	CH-S1120-030005	3385110	RETENTOR MOLA VALVULA L28/32				

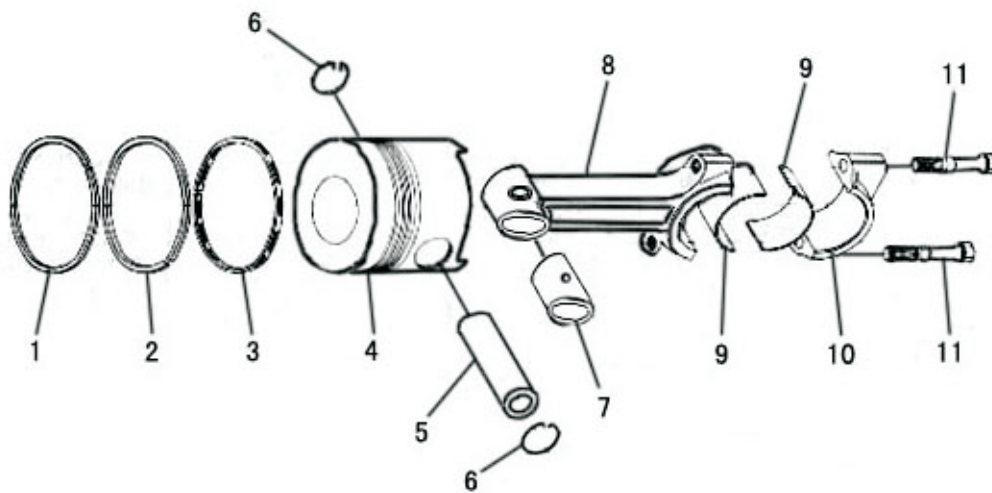


FIG.04 PISTÃO

Ref.	Cod.Fab.	Cod.CCM	Descrição
01	CH-1125-040002	3363790	ANEL SEGM. COMPRESS. L28
01A	CH-L32-040003	3377650	ANEL SEGM. COMPRESS. L32
02	CH-1125-040003	3363800	ANEL SEGM. RASPADOR L28
02A	CH-L32-040004	3377660	ANEL SEGM. RASPADOR L32
03	CH-1125-041000	3363810	ANEL SEGM. OLEO L28
03A	CH-L32-041000	3377670	ANEL SEGM. OLEO L32
04	CH-L28-040001-1	3362250	PISTAO L28
04A	CH-L32-040001C	3362440	PISTAO L32
05	CH-L30-040002	3362340	PINO PISTAO L28/32
06	CH-GB/T893.1-36	3376100	TRAVA PINO PISTAO 36
07	CH-L30-042003	3377430	BUCHA PINO/BIELA PISTAO
08	CH-L30-042001	3377410	BIELA SUPERIOR L28/32
09	CH-1120-040005	3361200	CASQUILHO BIELA L28
09A	CH-L32-040005	3362450	CASQUILHO BIELA L32
10	CH-L30-042002	3377420	BIELA INFERIOR L28/32
11	CH-L30-042004-1	3377440	PARAFUSO BIELA L28/32

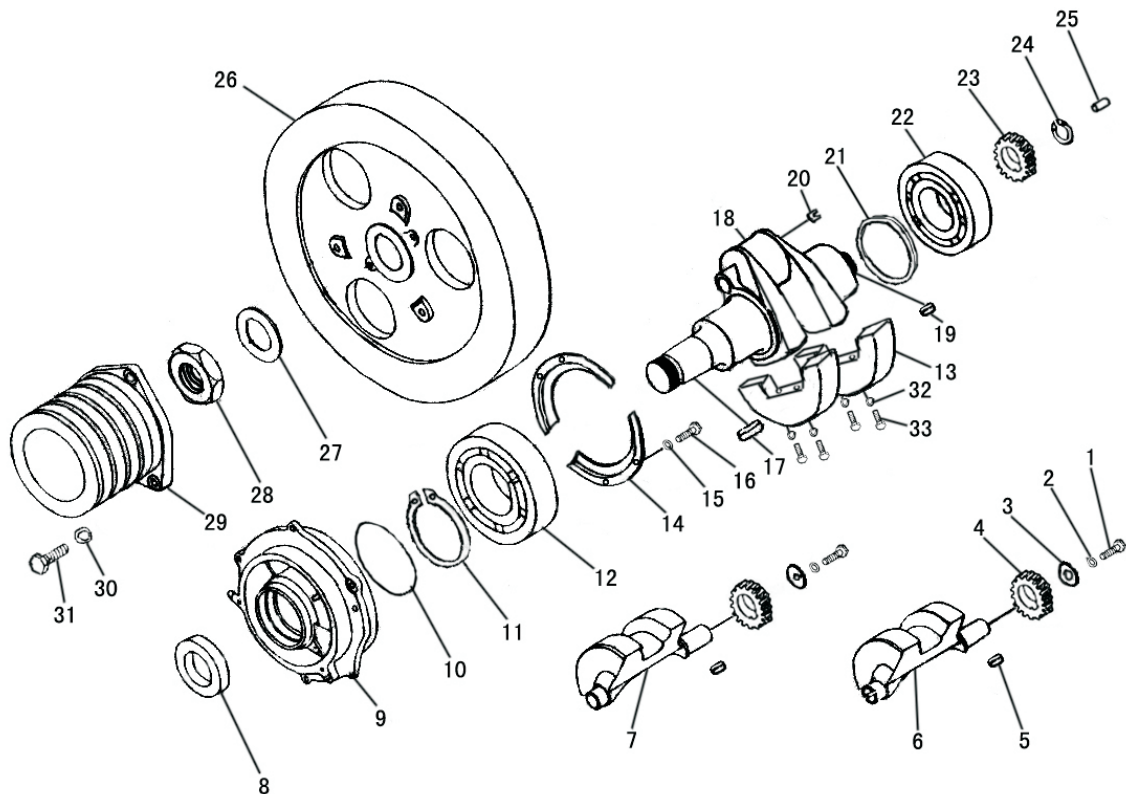


FIG.05 VIRABREQUIM

Ref.	Cod.Fab.	Cod.CCM	Descricao
01	CH-GB/T5783-0818	3375330	PARAFUSO M8X18
02	CH-GB/T93-08	3376490	ARRUELA PRES. 8
03	CH-195-05013	3372750	ARRUELA
04	CH-195-05012	3372740	ENGRENAGEM BAL.S1100A2/ZS1115/L24/2
05	CH-GB/T1096-0616	3374340	CHAVETA C6X16
06	CH-L28-050006	3377220	EIXO BALANCIM INF L28
06A	CH-L32-050006	3377680	EIXO BALANCIM INF L32
07	CH-L28-050010	3377230	EIXO BALANCIM SUP L28
07A	CH-L32-050010	3377690	EIXO BALANCIM SUP L32
08	CH-JB/T2600-659	3376830	RETENTOR OLEO L28/32 DL65X90X10
09	CH-L30-050013	3377490	MANCAL VIRABREQ.L.VOL.L28/32
10	CH-GB/T3452.1-185	3375010	ANEL O 185X3.55
11	CH-GB/T894.1-75	3376260	TRAVA EXT.75
12	CH-GB/T276-6315C3	3374710	ROLAMENTO ESFERA 6315/C3
13	CH-L28-051002	3377250	CONTRA PESO VIRABREQUIM L28/32
14	CH-L30-050009	3377480	TRAVA ROLAM.1/2 MANCAL L28/32
15	CH-GB/T93-05	3376470	ARRUELA PRES. 5
16	CH-GB/T67-0510	3375730	PARAFUSO M5X10
17	CH-GB/T1096-1245	3374430	CHAVETA 12X45
18	CH-L28-051001	3377240	VIRABREQUIM L28/32
19	CH-GB/T1096-0818	3374370	CHAVETA 8X18
20	CH-195-05007-1	3372720	BUJAO VIRAB.S1100A2/ZS1115/L24/28/3
21	CH-L30-050007	3377460	TRAVA ROLAM.VIRABREQUIM L28/32
22	CH-GB/T283-NJ214E	3374790	ROLAMENTO ESFERA NJ2214E
23	CH-L30-050008	3377470	ENGRENAGEM VIRABR/COMAND.L28/32
24	CH-GB/T894.1-30	3376230	TRAVA EXT 30
25	CH-195-01021	3372120	PLUGUE OLEO INTERNO
26	CH-L30-050001	3377450	VOLANTE L28/L33 S/PARTIDA
27	CH-1120-050012	3363750	ARRUELA TRAVA PORCA VOLANTE L28/32
28	CH-1120-050011	3361210	PORCA VOLANTE L28/32
29	CH-S1115-05001	3379990	POLIA CORREIA 150X4B
30	CH-GB/T93-14	3376540	ARRUELA PRES. 14
31	CH-GB/T5783-1435	3375510	PARAFUSO M14X35
32	CH-S1110-05105	3379650	ARRUELA PRESSAO C/PESO L28/32
33	CH-S1110-05104	3379640	PARAFUSO CONTRA PESO L28/32

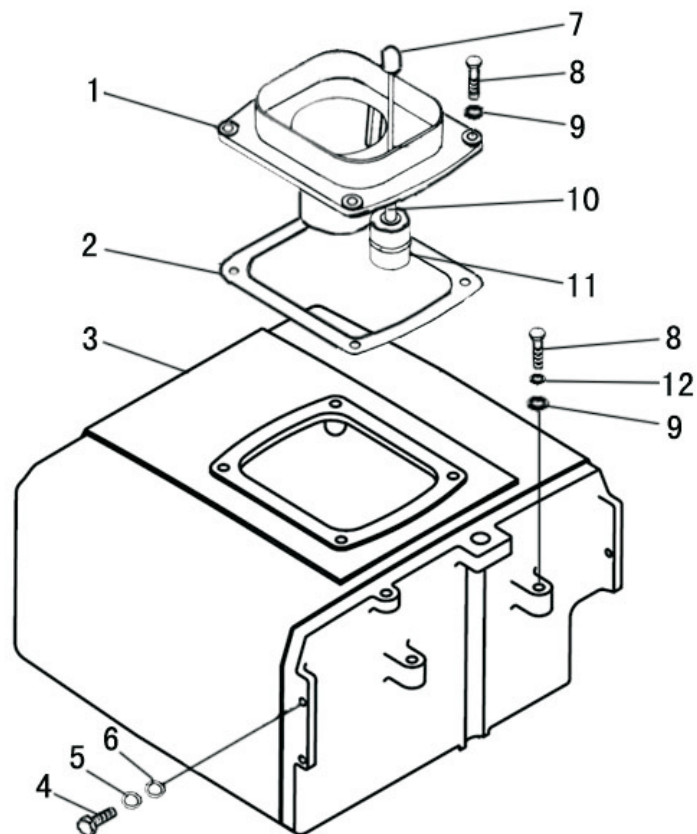


FIG.06 RESERVATÓRIO DE ÁGUA

Ref.	Cod.Fab.	Cod.CCM	Descrição
01	CH-195-06103-6	3372790	FUNIL ENTRADA AGUA L24/28/32
02	CH-195-06001	3372770	JUNTA FUNIL S1100A2/L24/28/32
03	CH-L22-060002D	3377030	RESERVATORIO AGUA L28/32
04	CH-GB/T5783-0615	3375230	PARAFUSO M6X15
05	CH-GB/T93-06	3376480	ARRUELA PRES. 6
06	CH-GB/T97.1-06	3376590	ARRUELA LISA 6
07	CH-195-06202	3372810	INDICADOR AGUA R190/S1100A2/L24/28/
08	CH-GB/T5783-0825	3375360	PARAFUSO M8X25
09	CH-GB/T97.1-08	3376610	ARRUELA LISA 8
10	CH-195-06201-2	3372800	HASTE INDIC.NIVEL AGUA R190/L24/28/
11	CH-195-06203	3372830	BOIA AGUA R190/S1100A2/L24/28/32
12	CH-GB/T93-12	3376530	ARRUELA PRES. 12

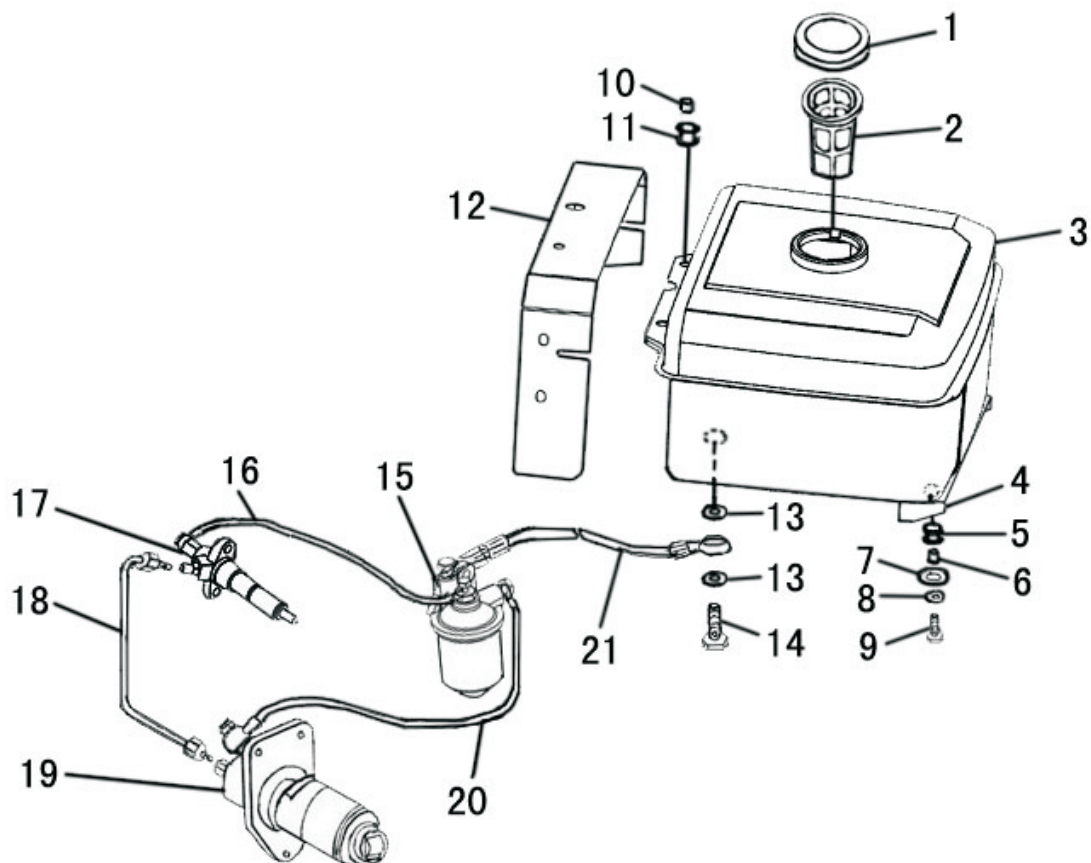


FIG.07 TAMQUE DE COMBUTÍVEL

Ref.	Cod.Fab.	Cod.CCM	Descrição
01	CH-L18-077000	3376980	TAMPA TANQUE COMBUSTIVEL L24/28/32
02	CH-S1110-07600	3379700	FILTRO TANQUE COMB.ZS1115/L24/28/32
03	CH-L22-07100B	3377050	TANQUE COMBUSTIVEL L28/32
04	CH-L22-071400B	3377120	SUORTE TANQUE L28/32
05	CH-L22-071005B	3377080	ARRUELA BORRACHA L28/32
06	CH-L22-071006B	3377090	ESPACADOR
07	CH-L22-071004B	3377070	ARRUELA
08	CH-GB/T93-08	3376490	ARRUELA PRES. 8
09	CH-GB/T5783-0825	3375360	PARAFUSO M8X25
10	CH-L22-071008B	3377110	ESPACADOR
11	CH-L22-071007B	3377100	AMORTECEDOR SUP.TANQUE L28/32
12	CH-L22-071001	3377060	COBERTURA TANQUE/HOPPER L24/28/32
14	CH-JB/T6013-121	3376840	PARAFUSO OCO M12X1,25
15	CH-S1110-16000	3379830	FILTRO CPL COMB.L24/28/32 (C0506C)
16	CH-S1110-07400	3379690	TUBO RETORNO COMB.ZS1115/L24/28/32
17	CH-L30-180000	3362400	BICO INJETOR CPL L28/32
18	CH-L30-072000	3377500	TUBO ALTA PRESS. L28/32
19	CH-B139-1	3373740	BOMBA INJETORA (BF1AD105Z01) L28/32
20	CH-L30-073000	3377510	TUBO COMBS.FILTRO/INJETOR L28/32
21	CH-L22-079000-1	3377140	MANGUEIRA TANQUE/FILTRO L24/28/32

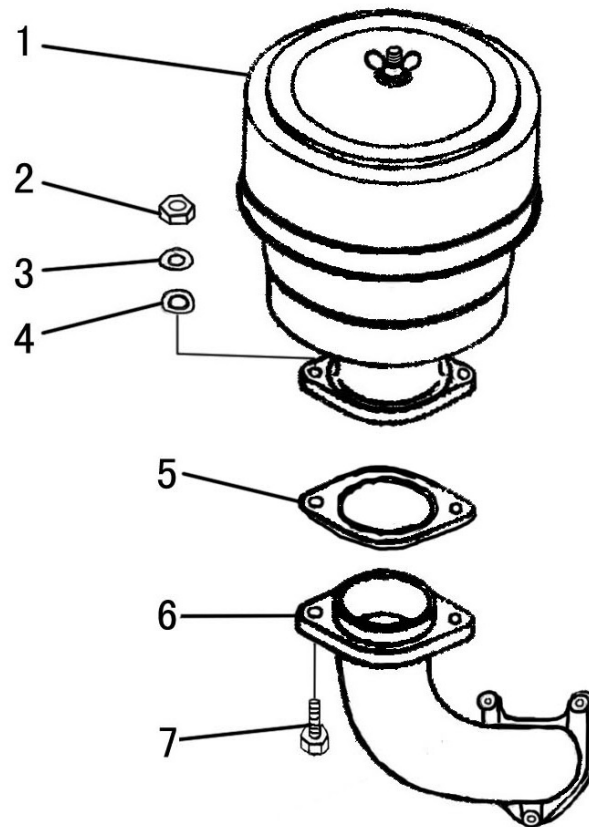


FIG.08 FILTRO DE AR

Ref.	Cod.Fab.	Cod.CCM	Descricao
01	CH-L30-111000	3362370	FILTRO AR CPL L 28/32
02	CH-GB/T6170-08	3375560	PORCA M8
03	CH-GB/T859-08	3376000	ARRUELA PRES. 8
04	CH-GB/T97.1-08	3376610	ARRUELA LISA 8
05	CH-1120-110002	3363770	JUNTA VEDACAO FILTRO AR L28/32
06	CH-L30-110001	3377580	COLETOR ADMISSAO L28/32
07	CH-GB/T5783-0830	3375380	PARAFUSO M8X30

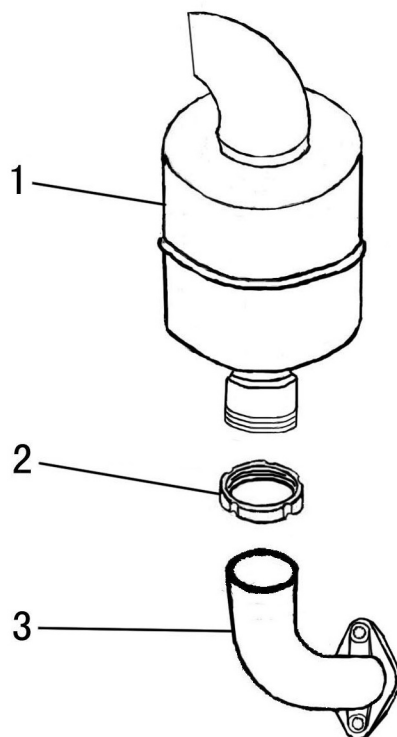


FIG.09 ESCAPAMENTO

Ref.	Cod.Fab.	Cod.CCM	Descricao
01	CH-L30-081000	3362360	SILENCIOSO CPL. L28/32
02	CH-1120-080002	3363760	PORCA TRAVA SILENCIOSO L28/32
03	CH-1120-080001A	3361220	COLETOR ESCAPE L28/32

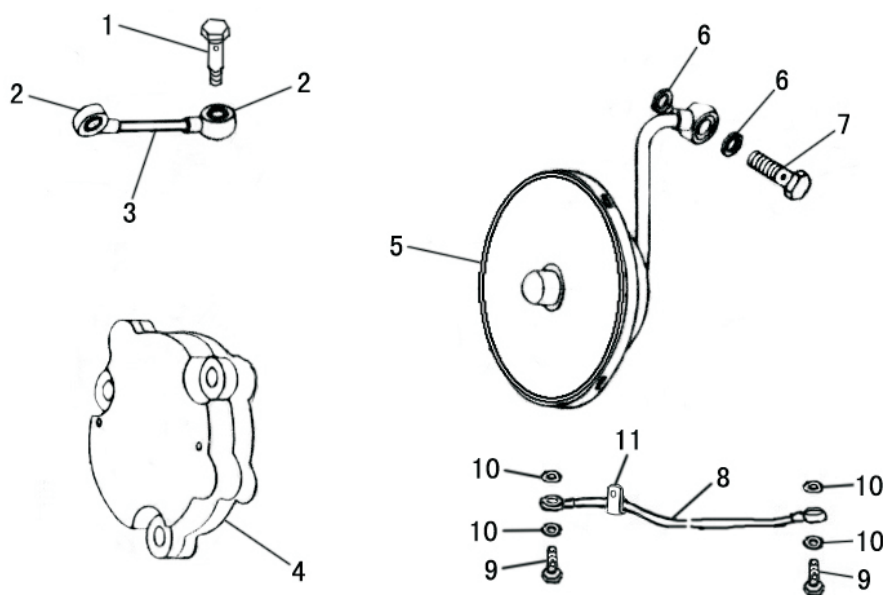


FIG.10 BOMBA DE ÓLEO

Ref.	Cod.Fab.	Cod.CCM	Descrição
01	CH-S1110A-090001	3362990	ASSENTO CONECTOR TUBO
03	CH-S1110A-090003	3363010	TUBO CONECTOR
04	CH-S1110-09200B	3379750	BOMBA OLEO L28/32
05	CH-CS195-09300	3374150	FILTRO PESCADOR OLEO L24/28/32
06	CH-195-01025	3372160	ARRUELA 8
07	CH-195-09003	3372990	PARAFUSO OCO CONECTOR
08	CH-L30-095000	3377520	TUBO OLEO
09	CH-195-09002	3372980	PARAFUSO OCO CONEXAO
10	CH-195-09001-1	3372970	VEDACAO P/PARAF.OCO 8
11	CH-S1110-07201	3379670	PRESILHA TUBO ALTA PRES.ZS1115/L24

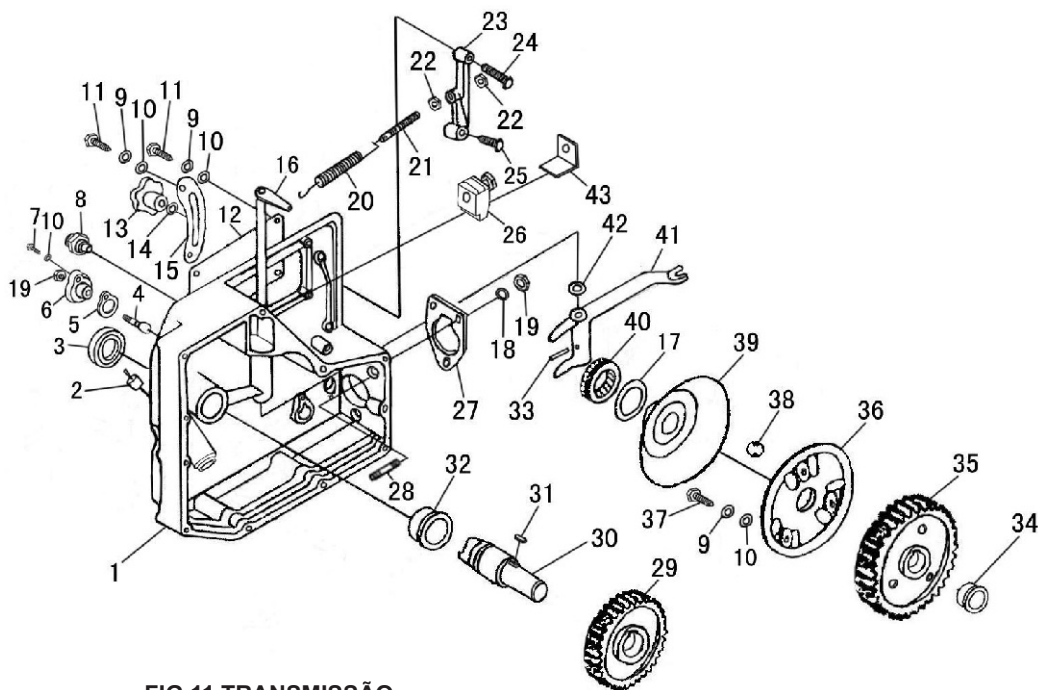


FIG.11 TRANSMISSÃO

Ref.	Cod.Fab.	Cod.CCM	Descricao
01	CH-L30-100001	3377530	TAMPA CARCACA ENGR. L28/32
02	CH-195-01100B	3372270	VARETA NIVEL OLEO L28/32
03	CH-JB/T2600-358	3376820	RETENTOR OLEO PG35X58X12
04	CH-195-10407-3	3373390	EIXO ACIONAMENTO PRIMER L28/32
05	CH-195-10404	3373370	FLANGE BBA.PRIMING
06	CH-195-10405-3	3373380	TAMPA PRIMER L28/32
07	CH-GB/T65-0625	3375700	PARAFUSO M6X25
08	CH-195-10600B	3373430	REGULADOR PRES.INJ. L28/32
09	CH-GB/T93-06	3376480	ARRUELA PRES. 6
10	CH-GB/T97.1-06	3376590	ARRUELA LISA 6
11	CH-GB/T65-0612	3375680	PARAFUSO M6X12
12	CH-L28-100002	3377260	PLACA IDENTIFICACAO MOTOR L28
12A	CH-L32-100002	3377700	PLACA IDENTIFICACAO MOTOR L32
13	CH-195-10200-1	3373330	MANOPLA BORBOLETA ACELERADOR
14	CH-GB/T97.1-08	3376610	ARRUELA LISA 8
15	CH-1100A-10005	3363330	PAINEL INDIC.ACEL.S1100A2 ZS1115 L2
16	CH-195-10140	3385620	BRACO GOVERNADOR L24/28/32
17	CH-195-10031	3373170	CALSO ROL.ENC.GOV.S1100A2/L24/28/32
18	CH-GB/T93-08	3376490	ARRUELA PRES. 8
19	CH-GB/T6170-08	3375560	PORCA M8
20	CH-1100A-10103	3363340	MOLA GOVERNADOR ZS1115 L24/28/32
21	CH-195-10104	3373210	PARAFUSO AJUSTE GOVER.
22	CH-GB/T6170-06	3375550	PORCA M6
23	CH-195-10105	3373220	ALAVANCA CONTR.ACEL.
24	CH-GB/T5783-0840	3375400	PARAFUSO M8X40
25	CH-195-10106	3373230	PARAFUSO CONTR.ACEL.
26	CH-L30-105000	3377560	BRIDA (RESPIRO) L28/32
27	CH-1120-010034	3363680	CALSO AJUSTE BBA.INJ.L28/32
28	CH-GB/T898-0822	3376300	PARAFUSO PRIS. M8X22
29	CH-195-10302	3373340	ENGRENAGEM MANIVELA
30	CH-195-10303-1	3373350	EIXO MANIVELA PARTIDA
31	CH-GB/T1096-0816	3374360	CHAVETA 8X16
32	CH-195-10010	3373160	BUCHA EIXO MANV.S1100A2/ZS1115/L24/
33	CH-GB/T117-0425	3374470	PINO 4X25
34	CH-195-10107	3373240	BUCHA ENGR.GOVERN.
35	CH-L30-101301	3377550	ENGRENAGEM GOVERNADOR L28/32
36	CH-195-10109	3373260	DISCO GUIA ESF.GOVER.
37	CH-GB/T67-0618	3375790	PARAFUSO M6X18
39	CH-195-10120-1	3373310	PRATO ATUAC.GOVERNADOR L24/28/32
40	CH-GB/T301-8106	3374910	ROLAMENTO ESFERA ENCOS.8106
41	CH-L30-101100	3377540	GARFO GOVERNADOR L28/32
42	CH-195-10113	3373290	BUCHA AJUSTE
43	CH-L30-105009	3377570	PRESILHA BRIDA L28/32

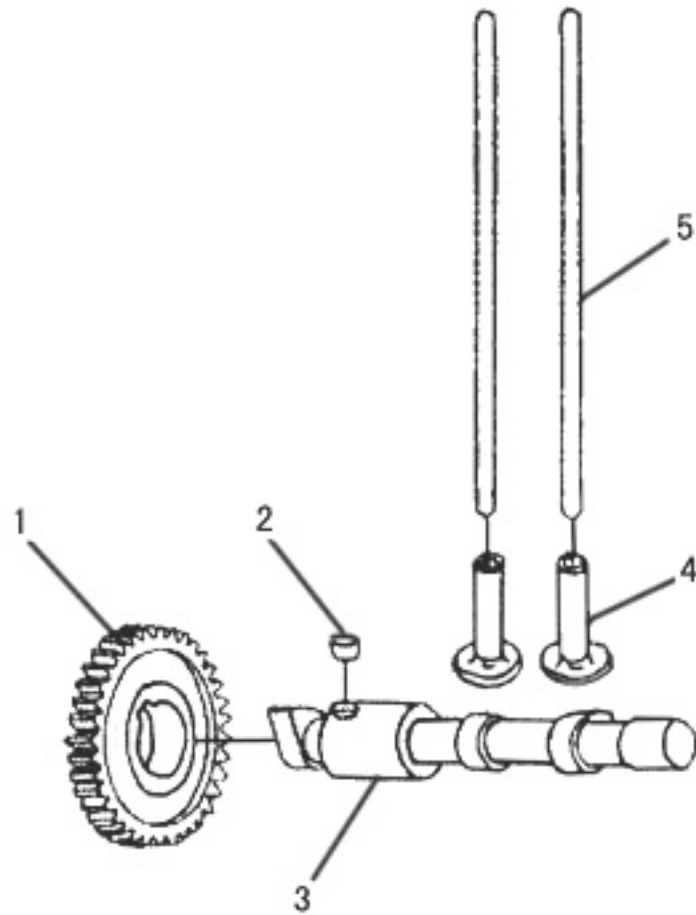


FIG.12 COMANDO DE VÁLVULAS

Ref.	Cod.Fab.	Cod.CCM	Descrição
01	CH-L30-020003	3377360	ENGREGNAGEM COMANDO L28/32
02	CH-GB/T1097-1016	3374450	CHAVETA 10X16
03	CH-L30-020001C	3377340	COMANDO VALVULA L28
03A	CH-L32-020001	3377640	COMANDO VALVULA L32
04	CH-1120-020006	3363690	TUCHO VALVULA L28/32
05	CH-L30-020002	3377350	VARETA VALVULA L28/32

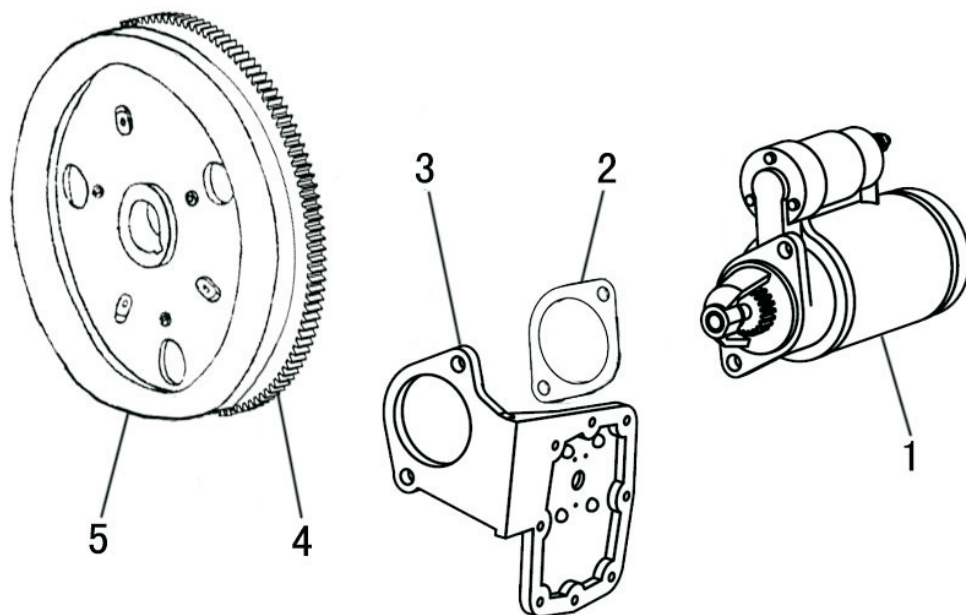


FIG.13 SISTEMA DE PARTIDA

Ref.	Cod.Fab.	Cod.CCM	Descricao
01	CH-L30M-190000	3377610	MOTOR ARRANQUE QD139G L28/32
02	CH-L30M-010036	3377590	CALSO MOTOR ARRANQUE L28/32
03	CH-L30M-013001	3377600	SUORTE MOTOR ARRANQUE L28/32
04	CH-1100ANM-05019	3363210	CREMALHEIRA VOL.P/E S1100A2NM/24/28
05	CH-L30M-052001	3363220	VOLANTE P/PARTIDA ELETRICA L28/32

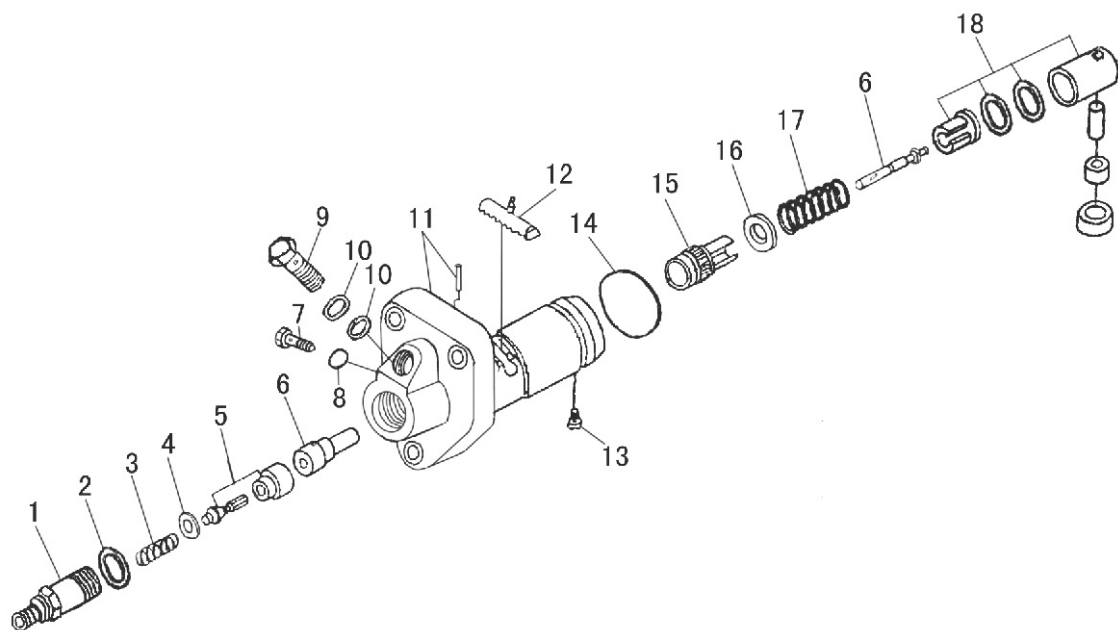


FIG.16 BOMBA INJETORA

Ref.	Cod.Fab.	Cod.CCM	Descricao
01	CH-BA19-0001	3373880	CONEXAO SAIDA BBA.INJ. ZS1115
02	CH-BA62-0005	3373930	ANEL O BBA.INJ.ZS1115
03	CH-BA62-0003	3373910	MOLA SAIDA BBA.INJ.ZS1115
04	CH-BA62-0004	3373920	ARRUELA ENCST. MOLA BBA.INJ.ZS1115
05	CH-FA5-00-10.5	3374230	VALVULA N.RETORNO BBA.INJ.L28/32
06	CH-ZSA-00	3385430	ELEMENTO BBA.INJ.ZS1115/L24/28/32
07	CH-BA11-0002	3373760	PARAFUSO OCO BBA.INJ.ZS1115
08	CH-BA11-0003	3373770	VEDACAO 10X6.5X1 ZS1115
09	CH-BA11-0004	3373780	PARAFUSO OCO BBA.INJ.ZS1115
10	CH-BA11-0005	3373790	VEDACAO 24X13X1 ZS1115
11	CH-BA19-01	3373890	CORPO BOMBA INJ.ZS1115
12	CH-BA11-02	3373840	CORREDICA ACELERADOR ZS1115
13	CH-BA11-0010	3373800	PINO GUIA BBA.INJ. ZS1115
14	CH-BA11-0011	3373810	TRAVA BBA.INJ. ZS1115
15	CH-BA17-0001	3373860	CORPO ACELERADOR BBA.INJ. ZS1115
16	CH-BA11-0013	3373830	ASSENTO MOLA SUPERIOR ZS1115
17	CH-BA11-0012	3373820	MOLA ACELERADOR BBA.INJ. ZS1115
18	CH-BA19-02	3373900	TUCHO ACION.BBA.INJ.ZS1115