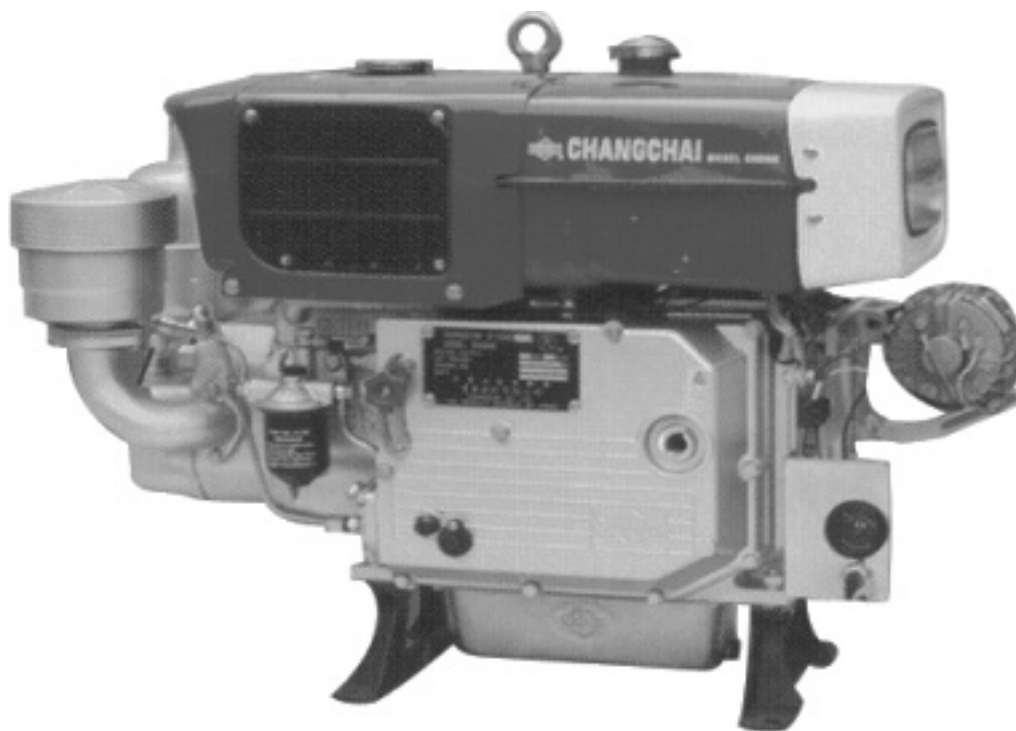


MOTOR ESTACIONÁRIO CHANGCHAI DIESEL

Modelos: S 1100-A2N / S 1100-A2NM
com radiador



EXPLODIDO

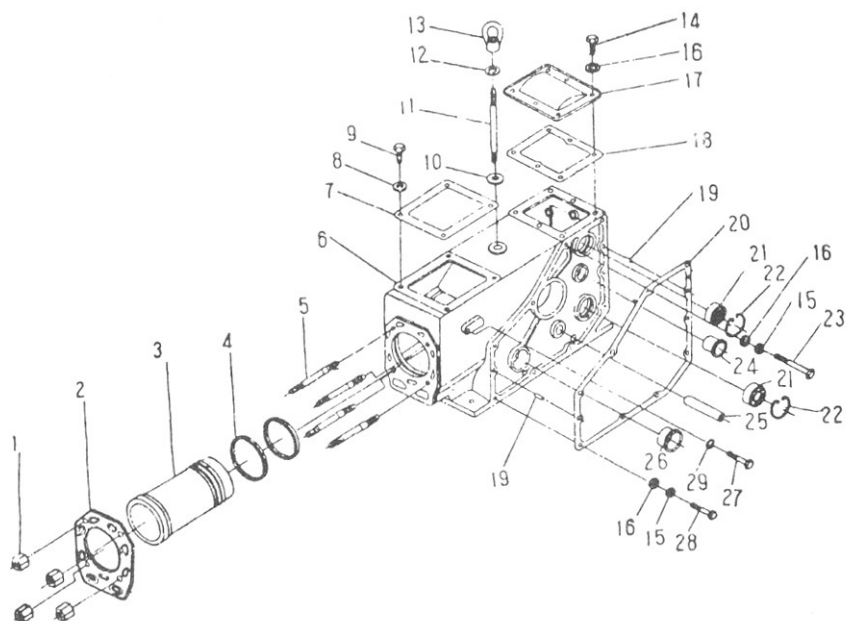


FIG.01 BLOCO DO CILINDRO

Ref.	Cod.Fab.	Cod.CCM	Descricao
02	CH-1100A2-01002	3361060	JUNTA CABECOTE S1100A2/N/NM
03	CH-1100A2-01003	3361070	CAMISA CILINDRO S1100A2/N/NM
20	CH-195-01014	3361690	JUNTA TAMPA LATERAL S1100A2/N/NM

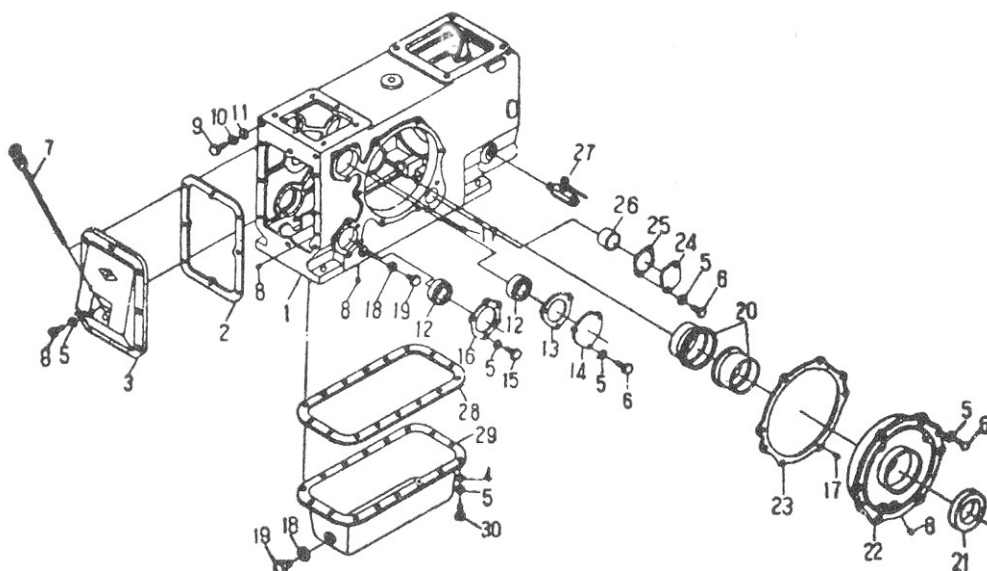


FIG.02 BLOCO DO CILINDRO 2

Ref.	Cod.Fab.	Cod.CCM	Descricao
20	CH-195-01027-1	3361710	MANCAL (BRONZINA)VIRABR.S1100A2
28	CH-195-01033	3361730	JUNTA CARTER OLEO S1100A2/N/NM

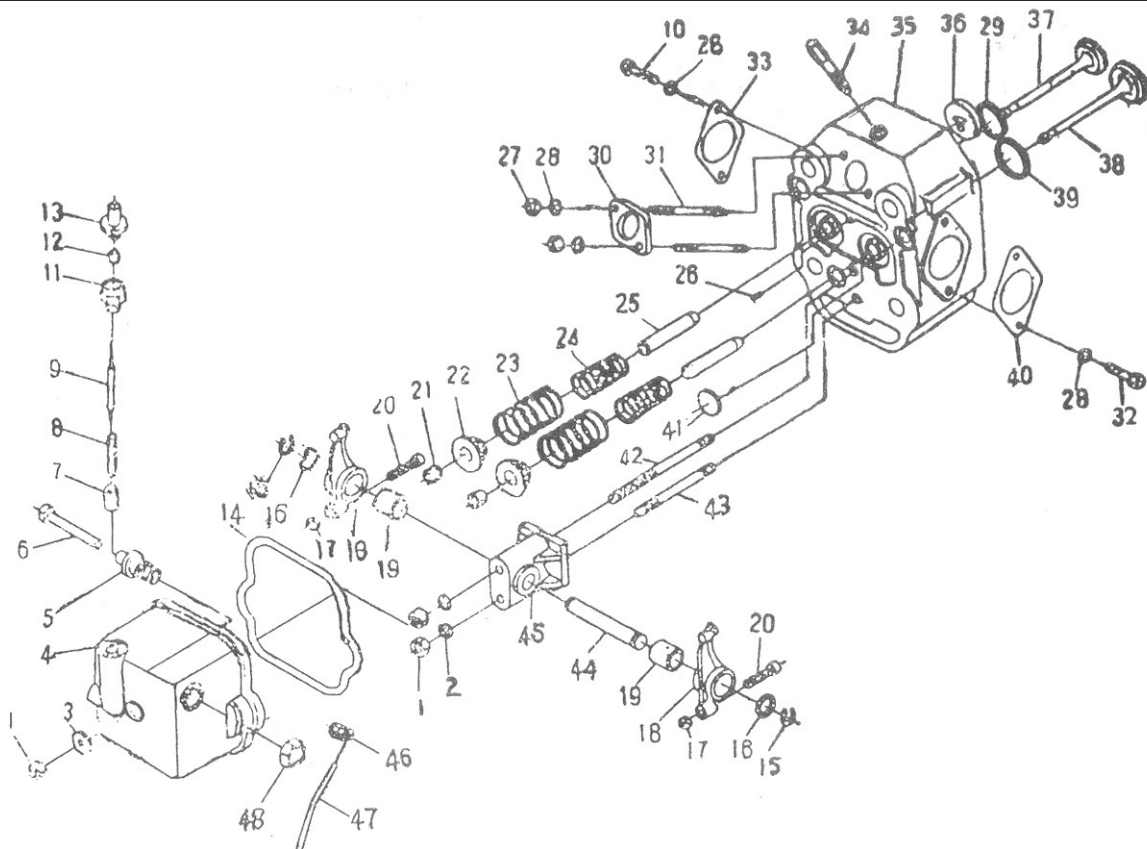


FIG.03 CABECOTE

Ref.	Cod.Fab.	Cod.CCM	Descricao
07	CH-195-03111-1	3361830	VISOR OLEO (PRESSAO) S1100A2/N/NM
08	CH-195-03111-1	3361830	VISOR OLEO (PRESSAO) S1100A2/N/NM
09	CH-195-03111-1	3361830	VISOR OLEO (PRESSAO) S1100A2/N/NM
10	CH-195-03111-1	3361830	VISOR OLEO (PRESSAO) S1100A2/N/NM
11	CH-195-03111-1	3361830	VISOR OLEO (PRESSAO) S1100A2/N/NM
12	CH-195-03111-1	3361830	VISOR OLEO (PRESSAO) S1100A2/N/NM
13	CH-195-03111-1	3361830	VISOR OLEO (PRESSAO) S1100A2/N/NM
14	CH-195-03001	3361740	JUNTA TAMPA CABEC.S1100A2/N/NM
21	CH-195-03007	3361750	TRAVA VALVULA S1100A2/N/NM
23	CH-195-03009-1	3361760	MOLA VALVULA EXTERNA S1100A2/N/NM
24	CH-195-03010	3361770	MOLA VALVULA INTERNA S1100A2/N/NM
29	CH-195-03028-1	3361820	SEDE VALVULA ESCP.S1100A2/N/NM
33	CH-195-03015	3361780	JUNTA COLETOR ESCAP.S1100A2/N/NM
35	CH-195-03017-2	3361790	CABECOTE S1100A2/N/NM
37	CH-195-03019-1	3361800	VALVULA ESCAPE S1100A2/N/NM
38	CH-1100A1-03020	3361050	VALVULA ADMISSAO S1100A2/N/NM
40	CH-195-03022	3361810	SEDE VALVULA ADMS.S1100A2/N/NM

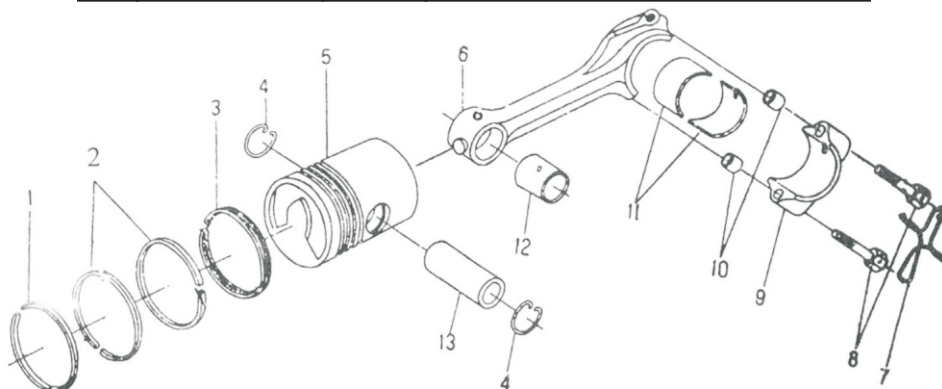


FIG.04 PISTAO E BIELA

Ref.	Cod.Fab.	Cod.CCM	Descricao
1,2,3	CH-1100-RINGS	3361010	ANEIS SEGM.(JG) S1100A2/N/NM
04	CH-195-04004-1	3361840	TRAVA PINO PISTAO 36 S1100A2/N/NM
05	CH-1100A-04003	3361040	PISTAO S1100A2/N/NM
11	CH-195-04011	3361860	CASQUILHO BIELA S1100A2/N/NM
13	CH-195-04013	3361870	PINO PISTAO S1100A2/N/NM

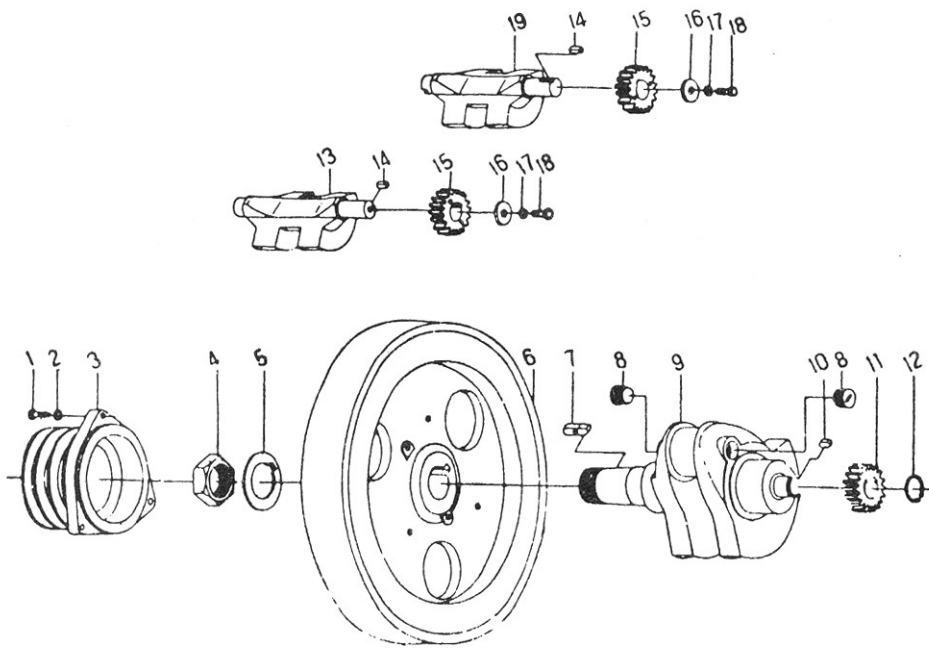


FIG.05 VOLANTE, VIRABREQUIM E BALANCIN

Ref.	Cod.Fab.	Cod.CCM	Descricao
04	CH-195-05002-1	3361880	PORCA VOLANTE S1100A2/N/NM
11	CH-195-05009	3361890	ENGRENAGEM COMANDO S1100A2/N/NM

FIG.06-1 RADIADOR

Ref.	Cod.Fab.	Cod.CCM	Descricao
03	CH-1100A2-6A	3361090	RADIADOR S1100A2N/NM

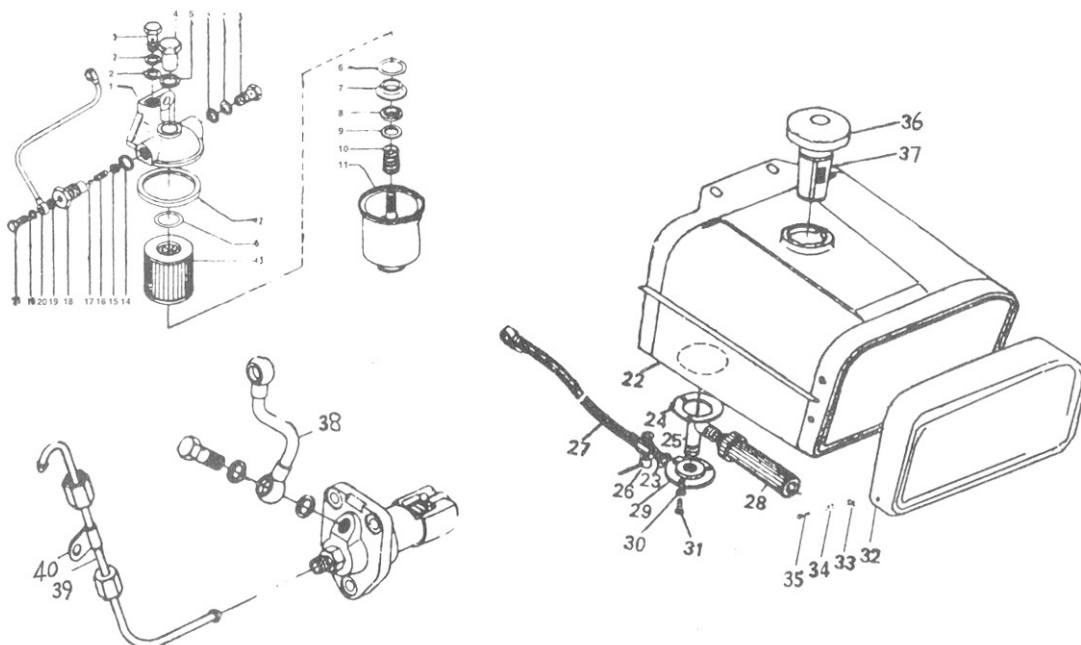


FIG.07 SISTEMA DO COMBUSTIVEL

Ref.	Cod.Fab.	Cod.CCM	Descricao
27	CH-195-07900	3361910	MANGUEIRA COMBUSTIVEL CPL.S1100A2

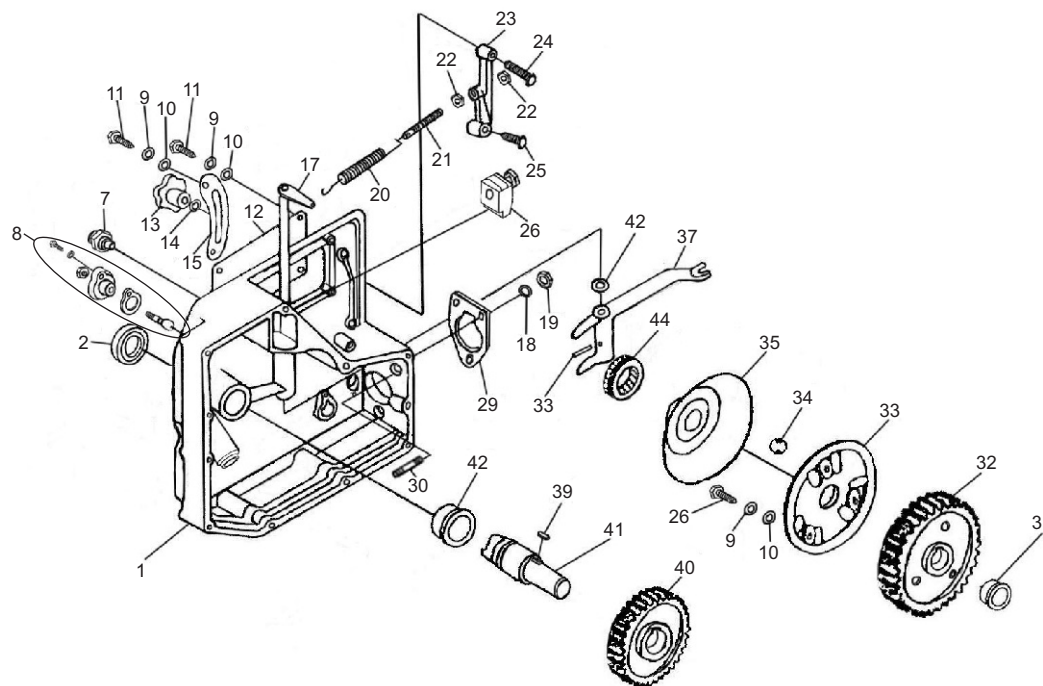


FIG.10 CAIXA DE ENGRENAGEM

Ref.	Cod.Fab.	Cod.CCM	Descricao	Ref.	Cod.Fab.	Cod.CCM	Descricao
01	CH-195-10001-2	3373100	CAIXA ENGRENAGEM S1100A2	23	CH-195-10105	3373220	ALAVANCA CONTR.ACEL.
02	CH-B35X58X12	3373750	RETENTOR EIXO MANIVELA S1100A2	24	CH-GB/T5783-0840C	3375410	PARAFUSO M8X40-Q
03	CH-195-10404	3373370	FLANGE BBA.PRIMING	25	CH-195-10106	3373230	PARAFUSO CONTR.ACEL.
04	CH-195-10400-2	3373360	PRIMER COMBUSTIVEL	26	CH-195-10500	3373410	RESPIRO CARCACA S1100A2/ZS1115
05	CH-195-10003	3373120	TAMPA INSPECAO GOVERN. S1100A2	27	CH-GB/T67-0612	3375770	PARAFUSO M6X12
06	CH-195-10002	3373110	JUNTA ABERTURA INSPECAO S1100A2	28	CH-GB/T67-0616	3375780	PARAFUSO M6X16
07	CH-1100A-10600	3363350	BASE PRIMER S1100A2	29	CH-195-10007	3373140	CALCO BBA.INJ.R190/S1100A2/ZS1115/L
08	CH-GB/T67-0625	3375800	PARAFUSO M6X25	30	CH-195-10008	3373150	PARAFUSO PRIS. BBA.INJ.S1100A2/ZS11
09	CH-GB/T93-06	3376480	ARRUELA PRES. 6	31	CH-195-10107	3373240	BUCHA ENGR.GOVERN.
10	CH-GB/T97.1-06140	3376600	ARRUELA LISA 6-140HV	32	CH-195-10108	3373250	ENGRENAGEM GOVERNADOR
11	CH-GB/T67-0616	3375780	PARAFUSO M6X16	33	CH-195-10109	3373260	DISCO GUIA ESF.GOVER.
12	CH-1100A2-10004	3363430	PLACA IDENTIFICACAO S1100A2	34	CH-GB/T308-16	3374960	ESFERA GOVERNADOR D16
13	CH-195-10200-1	3373330	MANOPLA BORBOLETA ACELERADOR	35	CH-195-10120	3373300	DISCO ESFERA GOVER. S1100A2/ZS1115
14	CH-GB/T97.1-08140	3376620	ARRUELA LISA 8-140HV	36	CH-GB/T301-8106	3374910	ROLAMENTO ESFERA ENCOS.8106
15	CH-195-10005	3373130	INDICADOR ACELERADOR S1100A2	37	CH-195-10111B	3373270	GARFO GOVERNADOR S1100A2
16	CH-195-10101	3373180	GARFO EIXO GOVER.S1100A2/ZS1115	38	CH-GB/T117-0425	3374470	PINO 4X25
17	CH-195-10102	3373190	ALAVANCA GOVER.S1100A2/ZS1115	39	CH-GB/T1096-0806	3374350	CHAVETA 8X6
18	CH-GB/T93-08	3376490	ARRUELA PRES. 8	40	CH-195-10302	3373340	ENGRENAGEM MANIVELA
19	CH-GB/T6170-08	3375560	PORCA M8	41	CH-195-10303-1	3373350	EIXO MANIVELA PARTIDA
20	CH-195-10103	3373200	MOLA GOVERNADOR S1100A2	42	CH-195-10010	3373160	BUCHA EIXO MANV.S1100A2/ZS1115/L24/
21	CH-195-10104	3373210	PARAFUSO AJUSTE GOVER.	43	CH-195-10113	3373290	BUCHA AJUSTE
22	CH-GB/T6170-06	3375550	PORCA M6	44	CH-195-10031	3373170	CALSO ROL.ENC.GOV.S1100A2/L24/28/32

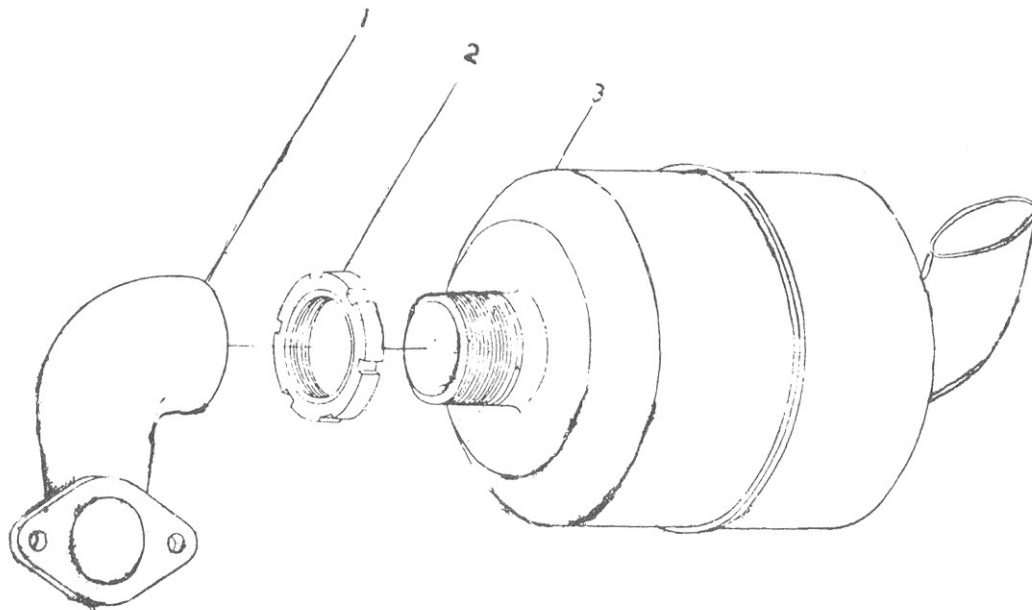


FIG.12 SISTEMA DE EXAUSTAO

Ref.	Cod.Fab.	Cod.CCM	Descricao
01	CH-195-08002-2	3361920	COLETOR ESCAPE S1100A2/N/NM
03	CH-195-08100-1	3361930	SILENCIOSO CPL S1100A2/N/NM

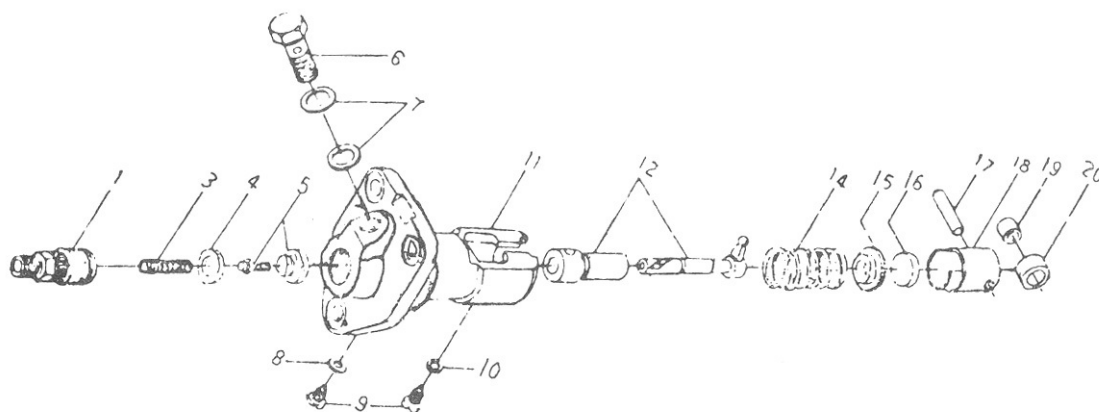


FIG.13 BOMBA DE COMBUSTIVEL

Ref.	Cod.Fab.	Cod.CCM	Descricao
12	CH-U1-00	3363130	ELEMENTO BOMBA INJETORA S1100A2

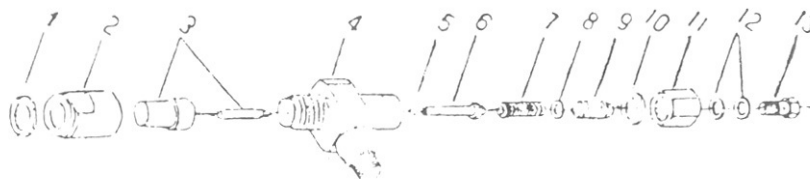


FIG.14 INJETOR DE COMBUSTIVEL

Ref.	Cod.Fab.	Cod.CCM	Descricao
03	CH-U4-3	3363140	BICO INJETOR S1100A2/N/NM

Esquema Eléctrico

